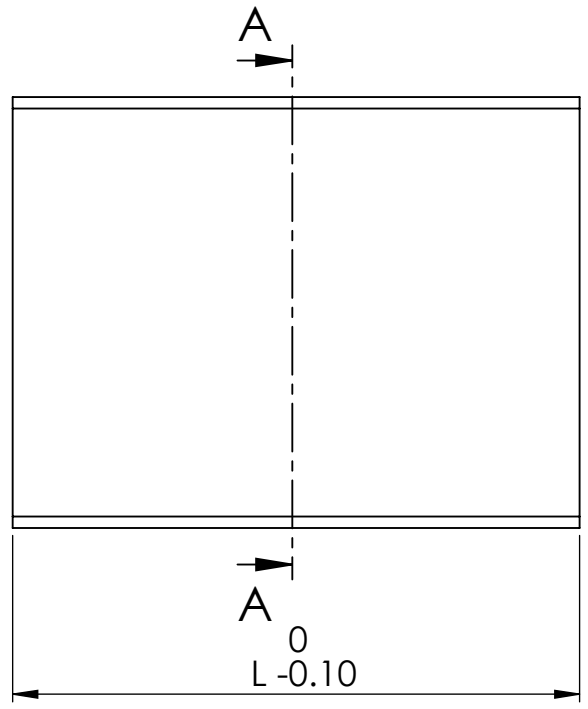
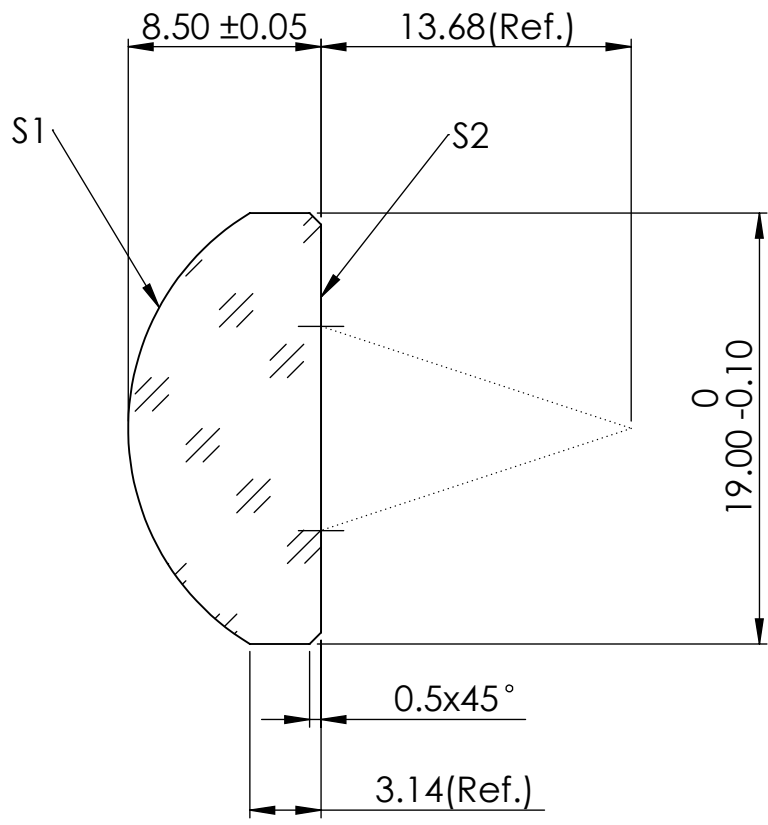


**Acylindrical Equation**

$$Z(y) = \frac{c^2 y^2}{1 + \sqrt{1 - (k + 1)c^2 y^2}} + \sum_{i=2}^8 A_{2i} y^{2i}$$

**Acylindrical Coefficients**

	S1	S2
R	9.8590	Plano
c	0.1014	
k	-0.55	
A <sub>4</sub>		
A <sub>6</sub>		
A <sub>8</sub>		
A <sub>10</sub>		



SECTION A-A  
SCALE 3 : 1

**Sagittal Distances of Acylindrical Surface**

Y (mm)	Z(mm)	
	S1	S2
0.0	0.000000	-
2.375	-0.28795	-
4.75	-1.17581	-
7.125	-2.74676	-
9.5	-5.19231	-

All unspecified surfaces-fine ground

S1		Material/Lens Data		S2	
Radius of Curvature	9.859 mm	Glass Type	BK7	Radius of Curvature	Plano
Clear Aperture	14.0 mm	n <sub>d</sub> / V <sub>d</sub>	1.51680 / 64.17	Clear Aperture	9.0 mm
Irregularity	< 1 μm P-V	Focal length	19.032 mm ± 1%	Irregularity	λ/4 over CA
Centering	Tilt < 0.25°	Numerical Aperture	0.35	Centering	Tilt < 0.25°
Surface Quality	40-20	Design wavelength	808 nm	Surface Quality	40-20
Coating	None			Coating	None

Dimensions in mm  
For Information Purposes Only

**PROPRIETARY**  
THE INFORMATION CONTAINED IN THIS DRAWING IS THE SOLE PROPERTY OF **Doric Lenses Inc.** ANY REPRODUCTION IN PART OR AS A WHOLE WITHOUT THE WRITTEN PERMISSION OF **Doric Lenses Inc.** IS PROHIBITED.

DO NOT SCALE DRAWING

	doriclenses.com
TITLE: ACL_PCX_INF_BK7_19.032	
DWG. NO. D141-0368-000	
2021-05-14	