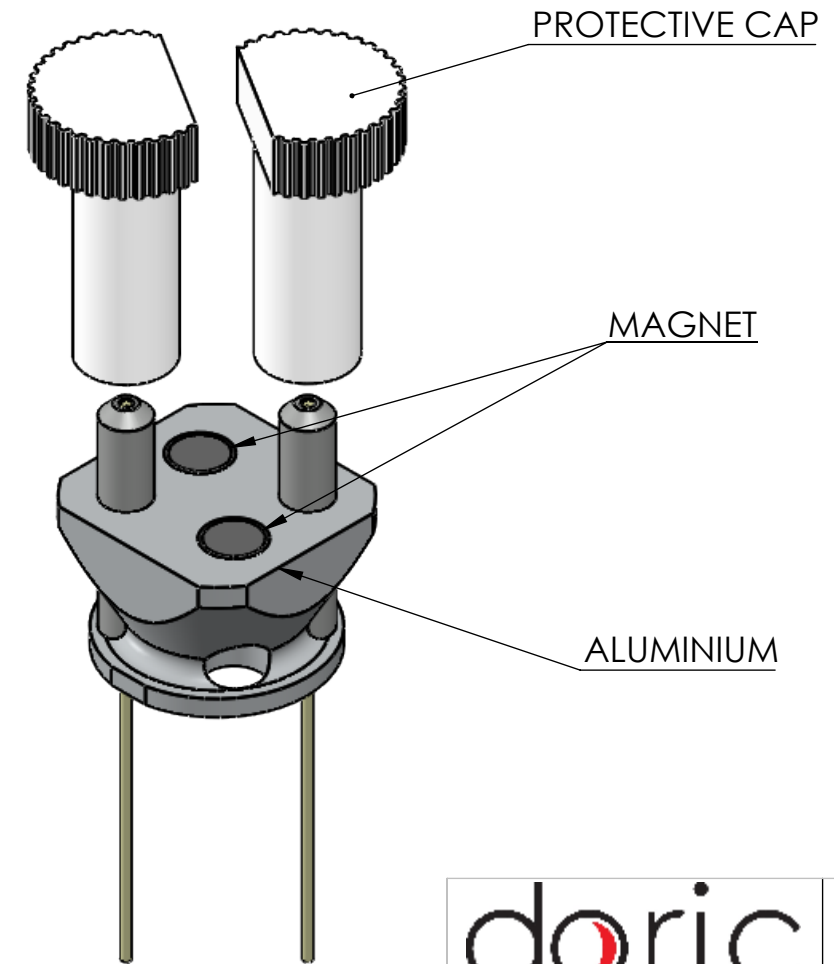


8	7	6	5	4	3	2	1
FLT	X	DFL	A	MA	B	C	
Flat tip	Cleaved	Diffuser	Angle	Angle mirror	Biprism	Cone	
Polished 0.3 μ m		Diffuser layer		Light Mirror			

FIBER TERMINATION
SCALE 50 : 1



Dimensions in mm
For Information Purposes Only

PROPRIETARY
THE INFORMATION CONTAINED IN THIS DRAWING
IS THE SOLE PROPERTY OF Doric Lenses Inc..
ANY REPRODUCTION IN PART OR AS A WHOLE
WITHOUT THE WRITTEN PERMISSION OF
Doric Lenses Inc. IS PROHIBITED.

DO NOT SCALE DRAWING

doric

357 rue Franquet, Quebec, QC
G1P 4N7, Canada;
Tel: 418 877 5600;
doriclenses.com;

TITLE:

TFC_TSM

DWG. NO.

B284-xxxx

23-01-2019