

8 7 6 5 4 3 2 1

D

C

B

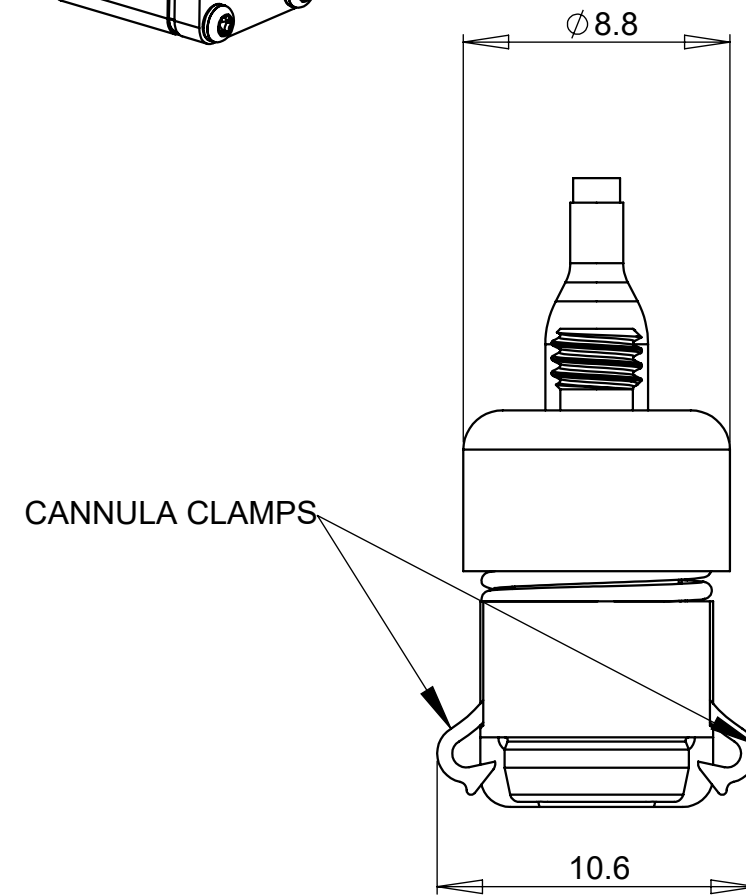
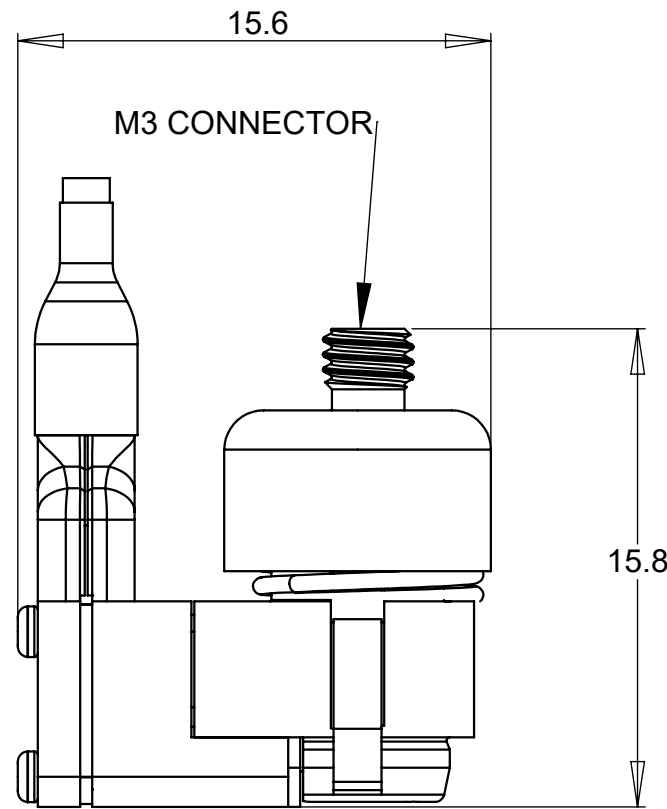
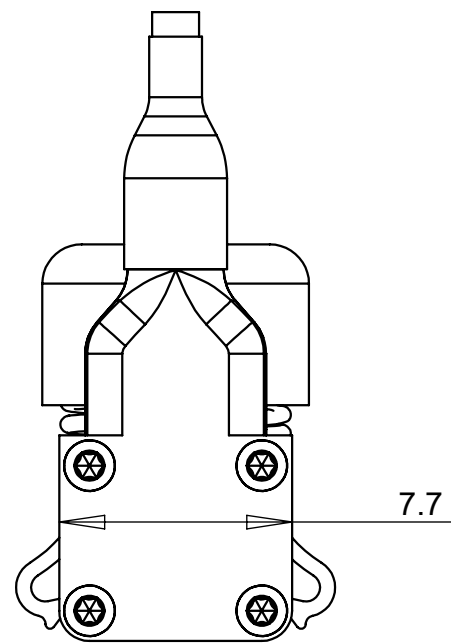
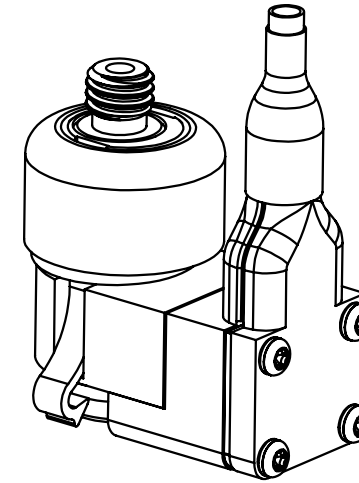
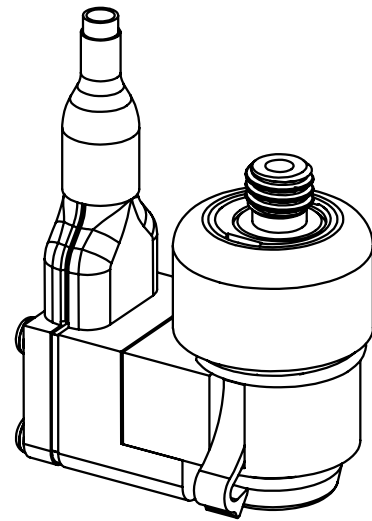
A

D

C

B


A



Dimensions in mm
For Information Purposes Only

PROPRIETARY
THE INFORMATION CONTAINED IN THIS DRAWING
IS THE SOLE PROPERTY OF Doric Lenses Inc..
ANY REPRODUCTION IN PART OR AS A WHOLE
WITHOUT THE WRITTEN PERMISSION OF
Doric Lenses Inc. IS PROHIBITED.

DO NOT SCALE DRAWING

	357 rue Franquet, Quebec, QC G1P 4N7, Canada; Tel: 418 877 5600; doriclenses.com;
	TITLE: <h3>SFMB-S or OSFM-S</h3>
DWG. NO. <h3>B350-10xx</h3>	2018-08-29

8 7 6 5 4 3 2 1

1