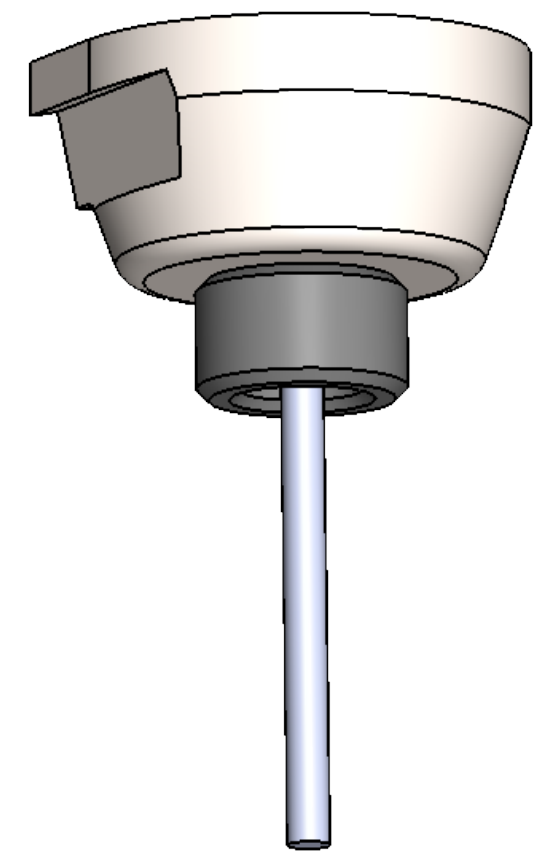
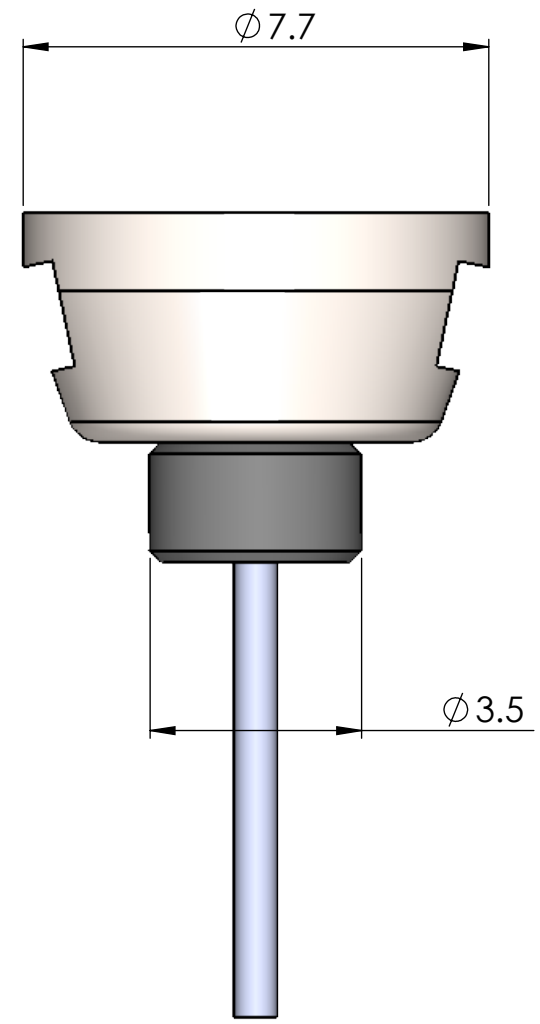
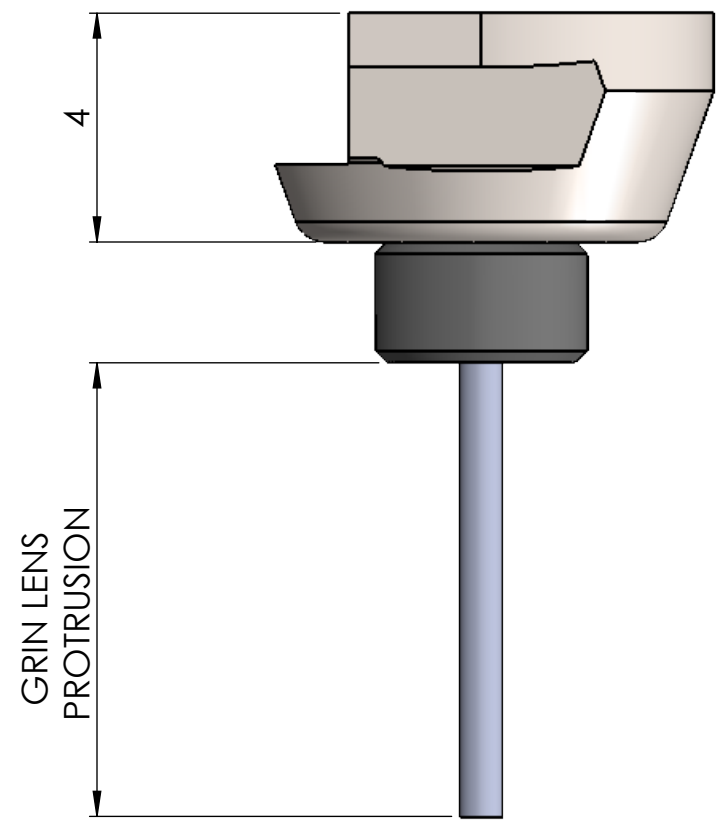


8 7 6 5 4 3 2 1

D  
C  
B  
A

D  
C  
B  
A



Dimensions in mm  
For Information Purposes Only

**PROPRIETARY**  
THE INFORMATION CONTAINED IN THIS DRAWING  
IS THE SOLE PROPERTY OF **Doric Lenses Inc.**..  
ANY REPRODUCTION IN PART OR AS A WHOLE  
WITHOUT THE WRITTEN PERMISSION OF  
**Doric Lenses Inc.** IS PROHIBITED.

DO NOT SCALE DRAWING

	357 rue Franquet, Quebec, QC G1P 4N7, Canada; Tel: 418 877 5600; doriclenses.com;
	TITLE: <p style="text-align: center;"><b>RFICL</b></p>
DWG. NO. <p style="text-align: center;">B293-xxxx</p>	21/11/2017

8 7 6 5 4 3 2 1