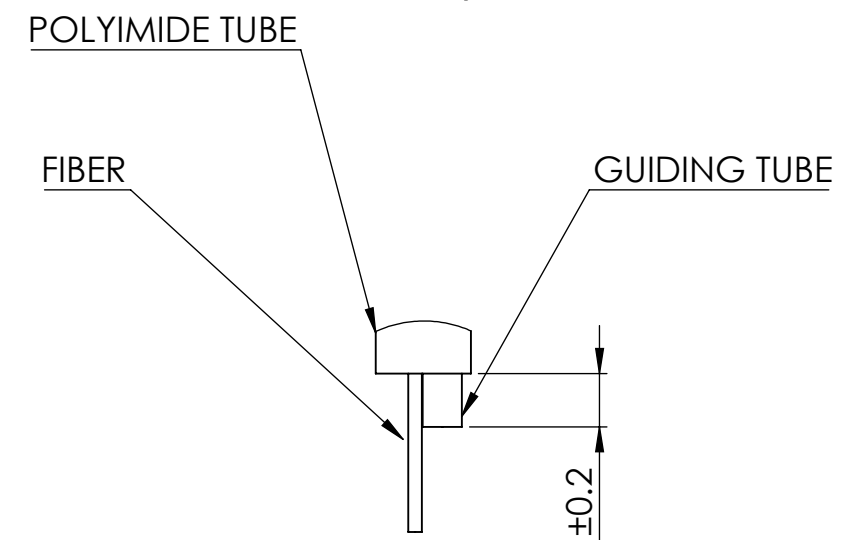
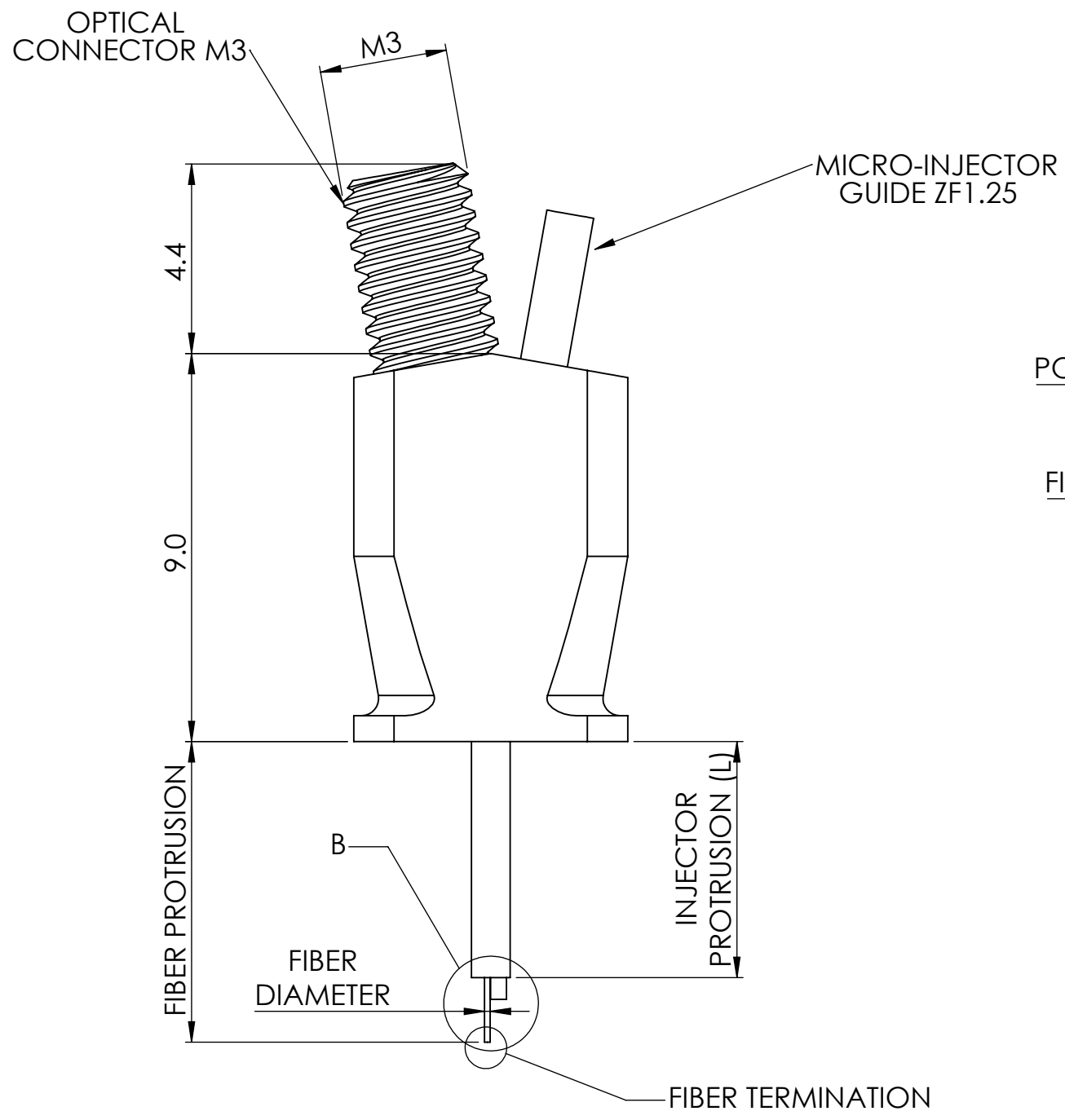
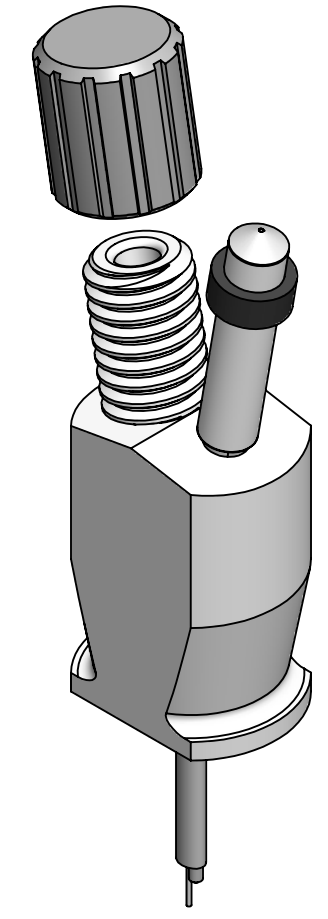


2	1	
FLT	DFL	C
Flat tip	Diffuser	Cone
 Polished 0.3 μm	 Diffuser layer	 α

FIBER TERMINATION  
SCALE 20 : 1



DETAIL B  
SCALE 14 : 1

Dimensions in mm  
For Information Purposes Only

**PROPRIETARY**  
THE INFORMATION CONTAINED IN THIS DRAWING IS THE SOLE PROPERTY OF Doric Lenses Inc.. ANY REPRODUCTION IN PART OR AS A WHOLE WITHOUT THE WRITTEN PERMISSION OF Doric Lenses Inc. IS PROHIBITED.

DO NOT SCALE DRAWING

<b>doric</b>	357 rue Franquet, Quebec, QC G1P 4N7, Canada; Tel: 418 877 5600; doriclenses.com;
TITLE:	<b>OmFC_SM3</b>
DWG. NO.	B286-xxxx
	2021-05-13