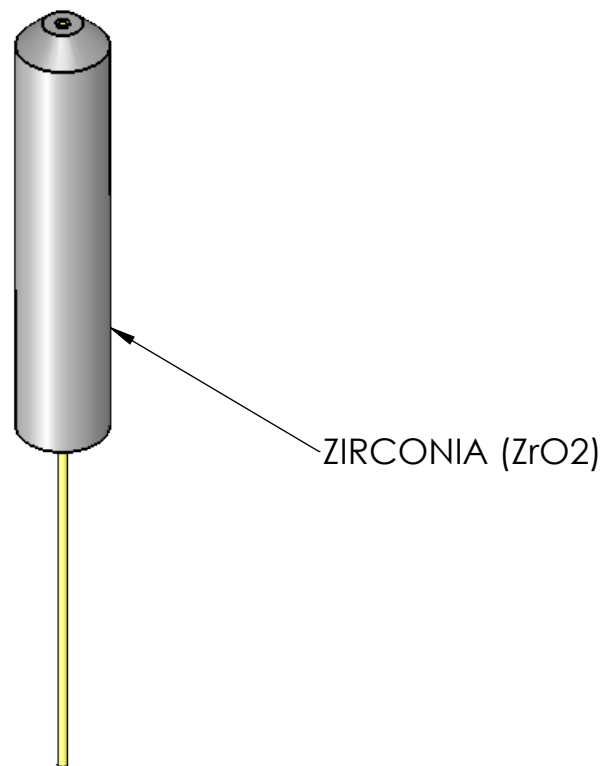
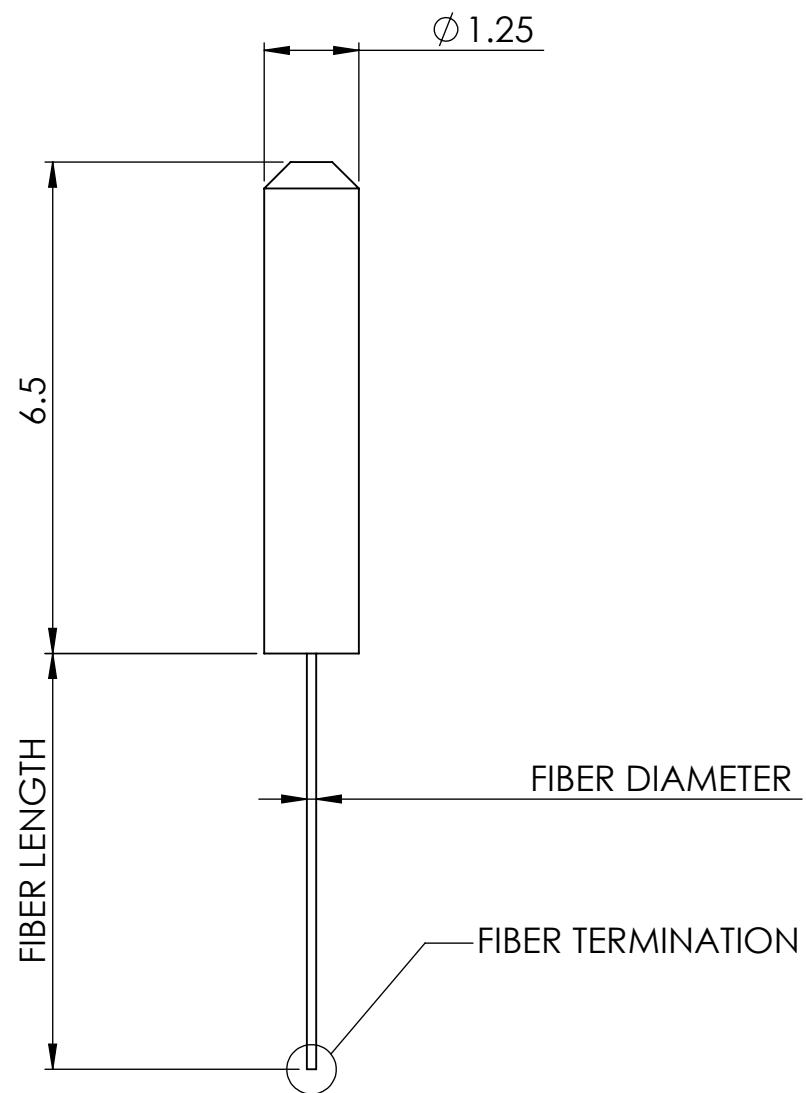


|   |   |   |          |         |          |       |              |         |      |
|---|---|---|----------|---------|----------|-------|--------------|---------|------|
| 8 | 7 | 6 | 5        | 4       | 3        | 2     | 1            |         |      |
|   |   |   | FLT      | X       | DFL      | A     | MA           | B       | C    |
|   |   |   | Flat tip | Cleaved | Diffuser | Angle | Angme mirror | Biprism | Cone |
|   |   |   |          |         |          |       |              |         |      |

FIBER TERMINATION  
SCALE 50 : 1



Dimensions in mm  
For Information Purposes Only

**PROPRIETARY**  
THE INFORMATION CONTAINED IN THIS DRAWING  
IS THE SOLE PROPERTY OF **Doric Lenses Inc.**..  
ANY REPRODUCTION IN PART OR AS A WHOLE  
WITHOUT THE WRITTEN PERMISSION OF  
**Doric Lenses Inc.** IS PROHIBITED.

DO NOT SCALE DRAWING

|          |  |
|----------|--|
|          | 357 rue Franquet, Quebec, QC<br>G1P 4N7, Canada;<br>Tel: 418 877 5600;<br>doriclenses.com; |
| TITLE:   | <b>MFC_ZF1.25</b>  |
| DWG. NO. | B280-xxxx  |
|          | 23/11/2017   |