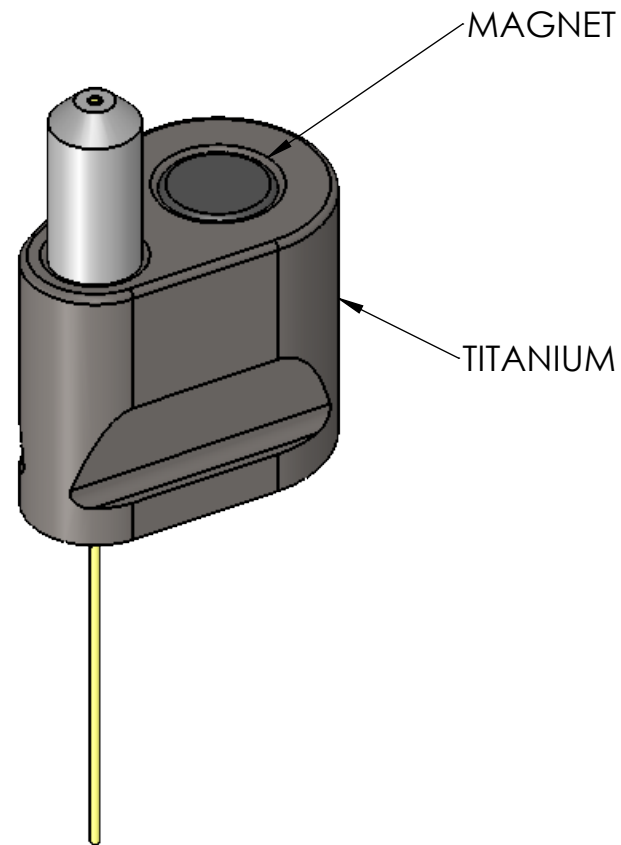
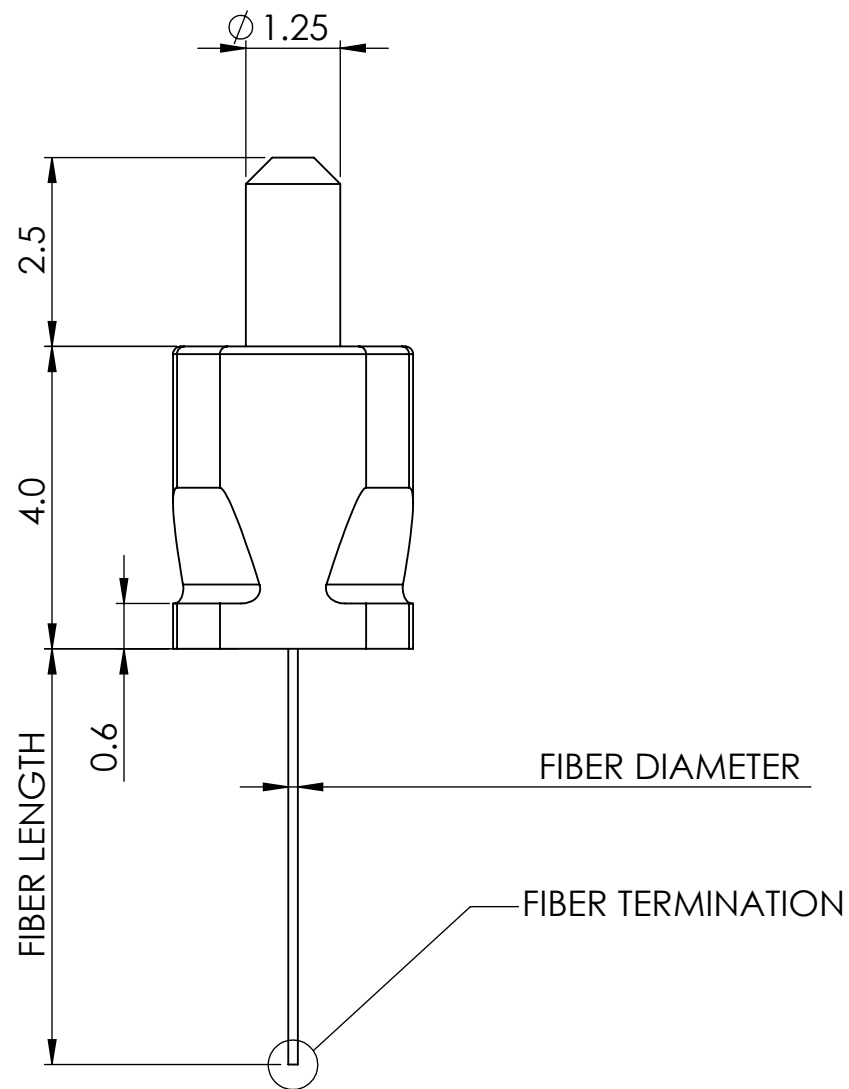


| 8                      | 7       | 6                     | 5     | 4                   | 3       | 2    | 1 |
|------------------------|---------|-----------------------|-------|---------------------|---------|------|---|
| FLT                    | X       | DFL                   | A     | MA                  | B       | C    |   |
| Flat tip               | Cleaved | Diffuser              | Angle | Angle mirror        | Biprism | Cone |   |
| <br>Polished<br>0.3 μm |         | <br>Diffuser<br>layer |       | <br>Light<br>Mirror |         |      |   |

FIBER TERMINATION  
SCALE 50 : 1



Dimensions in mm  
For Information Purposes Only

**PROPRIETARY**  
THE INFORMATION CONTAINED IN THIS DRAWING IS THE SOLE PROPERTY OF Doric Lenses Inc.. ANY REPRODUCTION IN PART OR AS A WHOLE WITHOUT THE WRITTEN PERMISSION OF Doric Lenses Inc. IS PROHIBITED.

DO NOT SCALE DRAWING

|          |  |
|----------|--|
|          | 357 rue Franquet, Quebec, QC<br>G1P 4N7, Canada;<br>Tel: 418 877 5600;<br>doriclenses.com; |
| TITLE:   | <b>MFC_SMR</b>   |
| DWG. NO. | B280-xxxx  |
|          | 23/11/2017   |