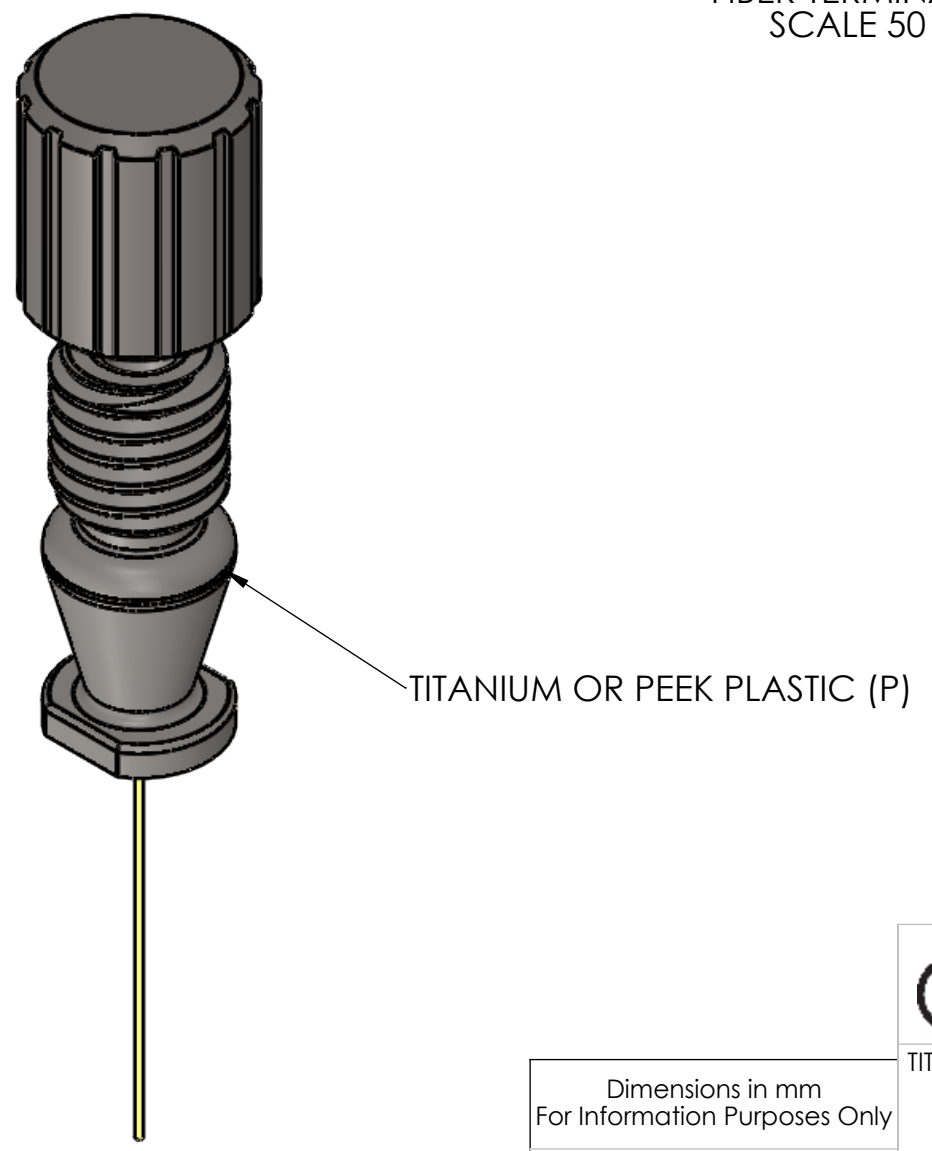


8	7	6	5	4	3	2	1
FLT	X	DFL	A	MA	C		
Flat tip	Cleaved	Diffuser	Angle	Angle mirror	Cone		
Polished 0.3 μm		Diffuser layer		Light Mirror			

FIBER TERMINATION
SCALE 50 : 1



Dimensions in mm
For Information Purposes Only

PROPRIETARY
THE INFORMATION CONTAINED IN THIS DRAWING
IS THE SOLE PROPERTY OF Doric Lenses Inc..
ANY REPRODUCTION IN PART OR AS A WHOLE
WITHOUT THE WRITTEN PERMISSION OF
Doric Lenses Inc. IS PROHIBITED.

DO NOT SCALE DRAWING

	357 rue Franquet, Quebec, QC G1P 4N7, Canada; Tel: 418 877 5600; doriclenses.com;
TITLE:	MFC_SM3
DWG. NO.	B280-xxxx
	2-5-2017