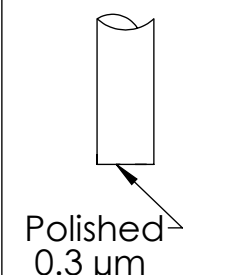
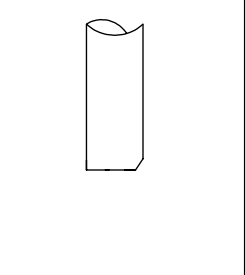
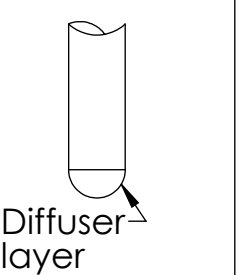
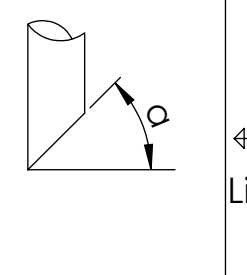
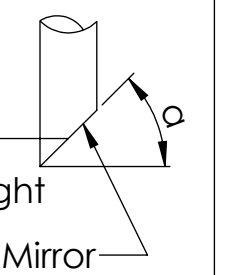
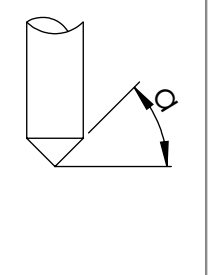
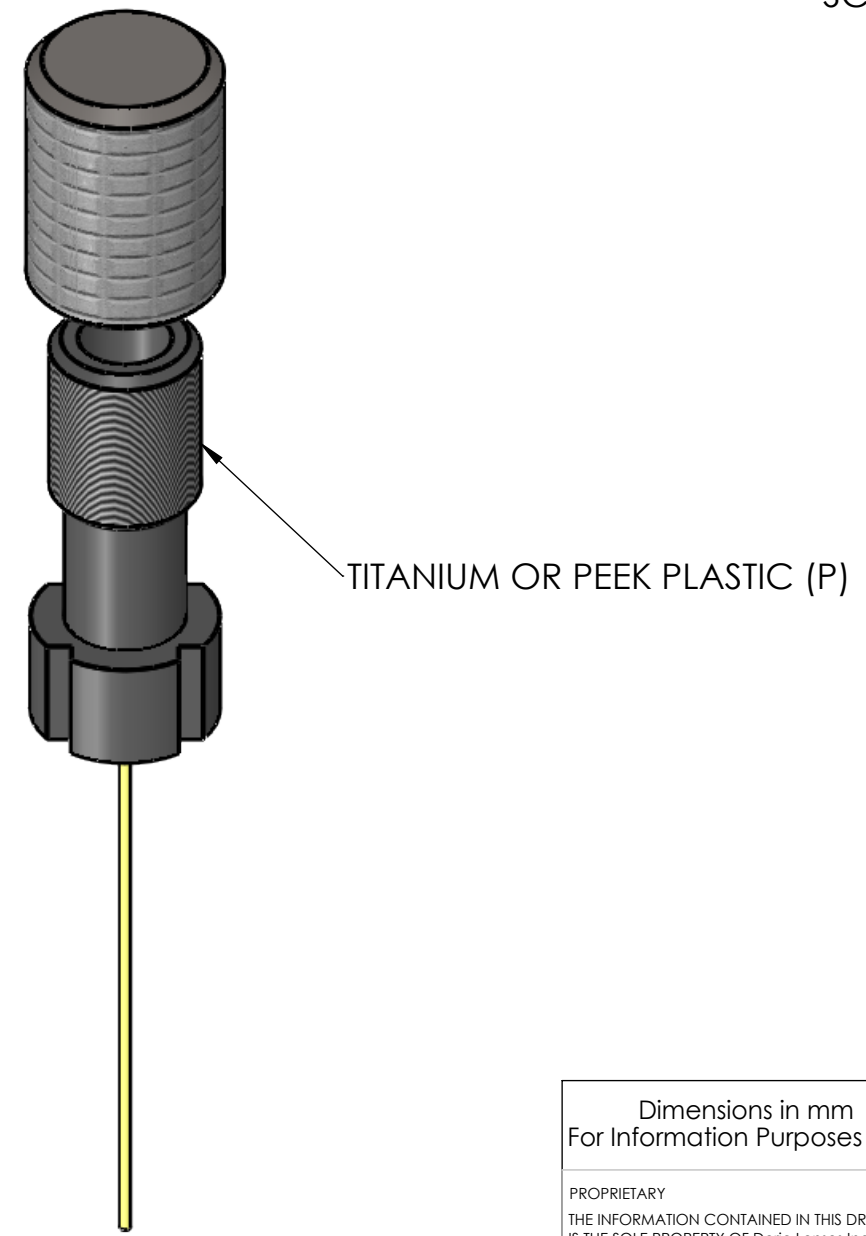
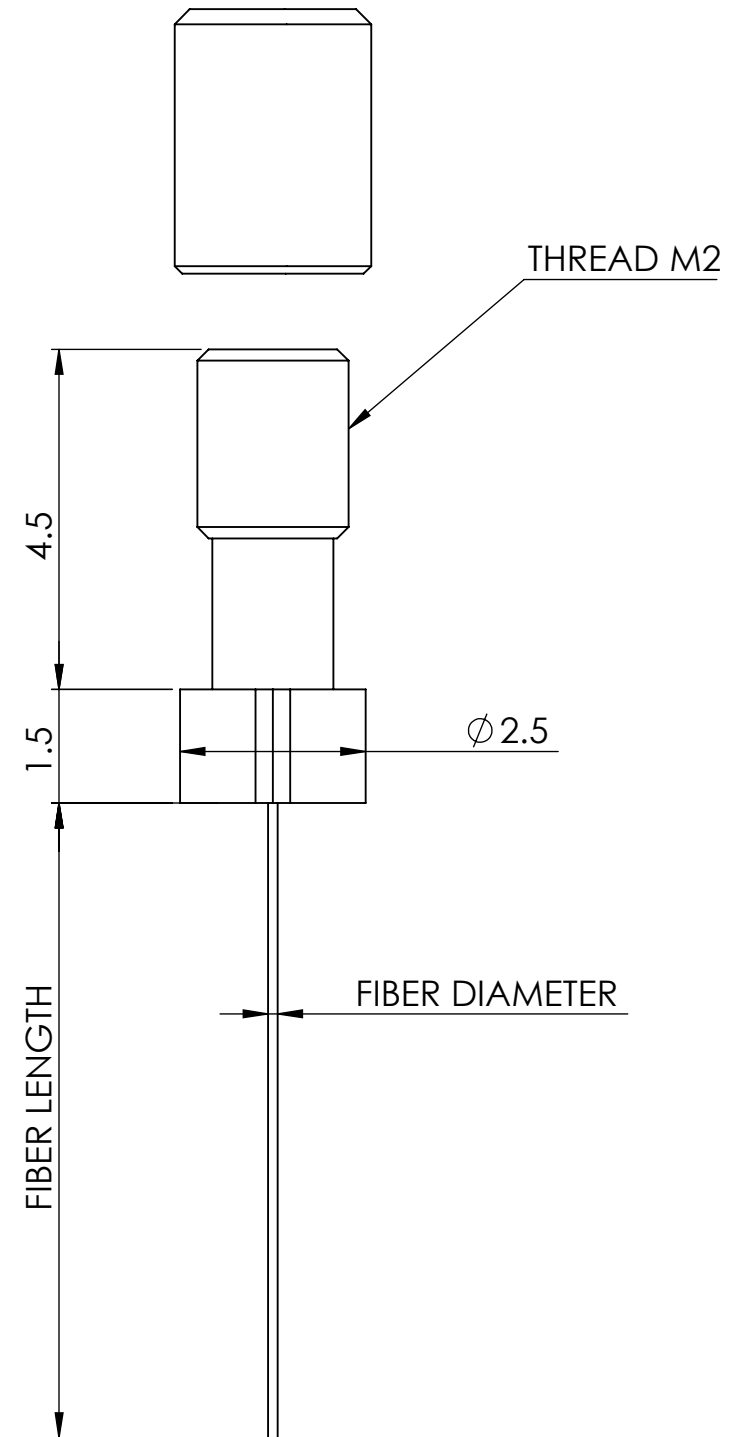


8 7 6 5 4 3 2 1

FLT	X	DFL	A	MA	C
Flat tip	Cleaved	Diffuser	Angle	Angle mirror	Cone
					


FIBER TERMINATION  
SCALE 50 : 1



Dimensions in mm  
For Information Purposes Only

PROPRIETARY  
THE INFORMATION CONTAINED IN THIS DRAWING  
IS THE SOLE PROPERTY OF Doric Lenses Inc..  
ANY REPRODUCTION IN PART OR AS A WHOLE  
WITHOUT THE WRITTEN PERMISSION OF  
Doric Lenses Inc. IS PROHIBITED.

DO NOT SCALE DRAWING

	357 rue Franquet, Quebec, QC G1P 4N7, Canada; Tel: 418 877 5600; doriclenses.com;
TITLE:	MFC_RM2
DWG. NO.	B280-xxxx
	2-5-2017

8 7 6 5 4 3 2 1