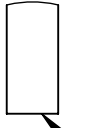

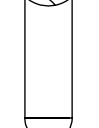
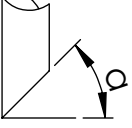
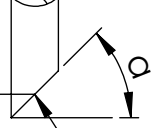
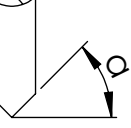
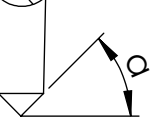
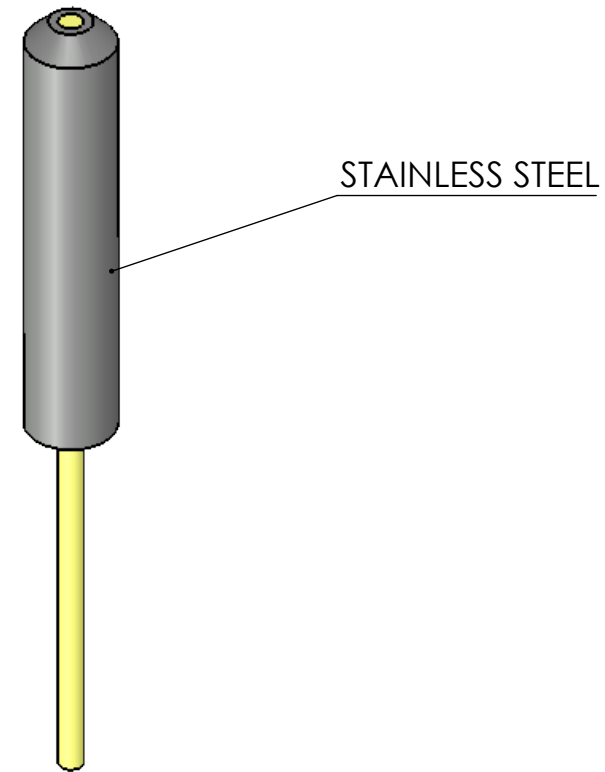
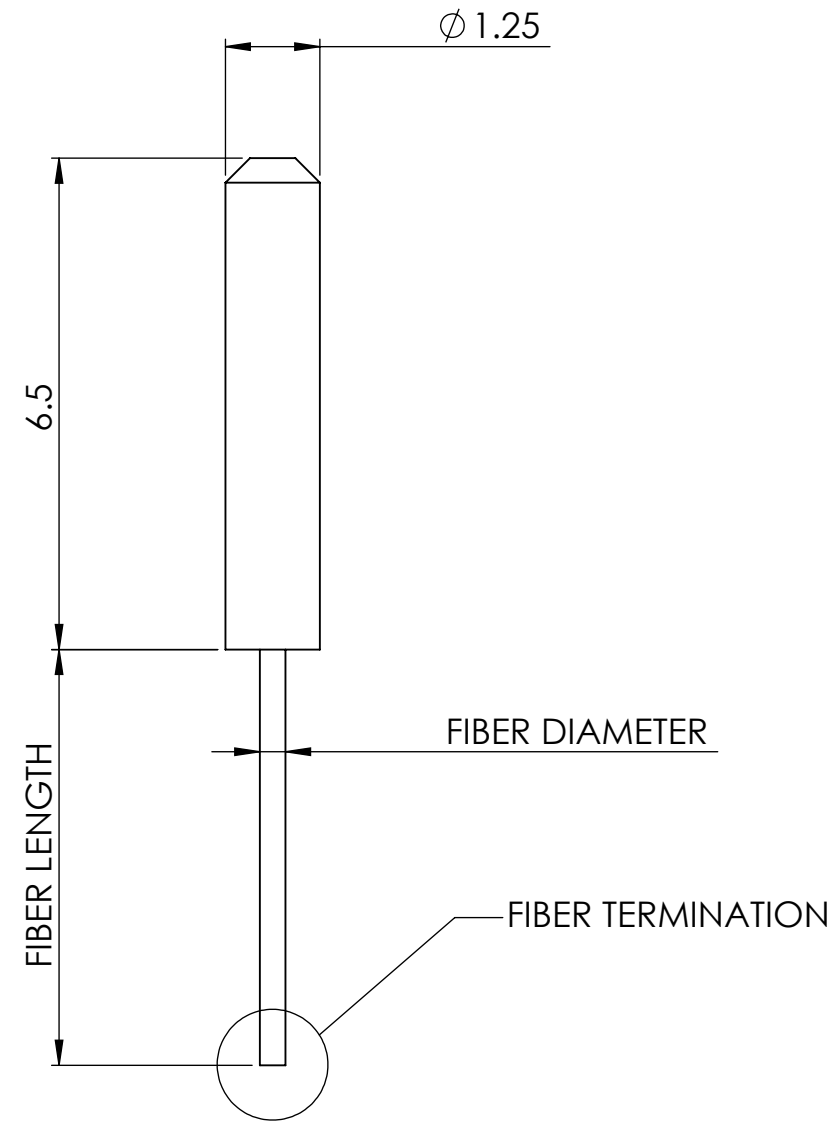


8	7	6	5	4	3	2	1
FLT	X	DFL	A	MA	B	C	
Flat tip	Cleaved	Diffuser	Angle	Angle mirror	Biprism	Cone	
							
Polished 0.3 μm		Diffuser layer		Light Mirror			

FIBER TERMINATION  
SCALE 20 : 1



Dimensions in mm  
For Information Purposes Only

**PROPRIETARY**  
THE INFORMATION CONTAINED IN THIS DRAWING  
IS THE SOLE PROPERTY OF Doric Lenses Inc..  
ANY REPRODUCTION IN PART OR AS A WHOLE  
WITHOUT THE WRITTEN PERMISSION OF  
Doric Lenses Inc. IS PROHIBITED.

DO NOT SCALE DRAWING

	357 rue Franquet, Quebec, QC G1P 4N7, Canada; Tel: 418 877 5600; doriclenses.com;
TITLE:	<b>MFC_MF1.25</b>
DWG. NO.	B280-xxxx
	23/11/2017