

THROUGH HOLE 100 μm

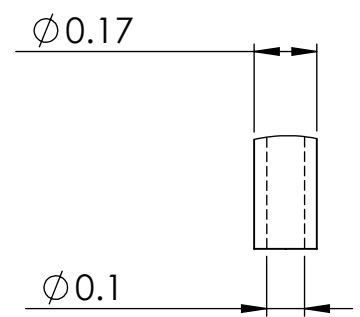
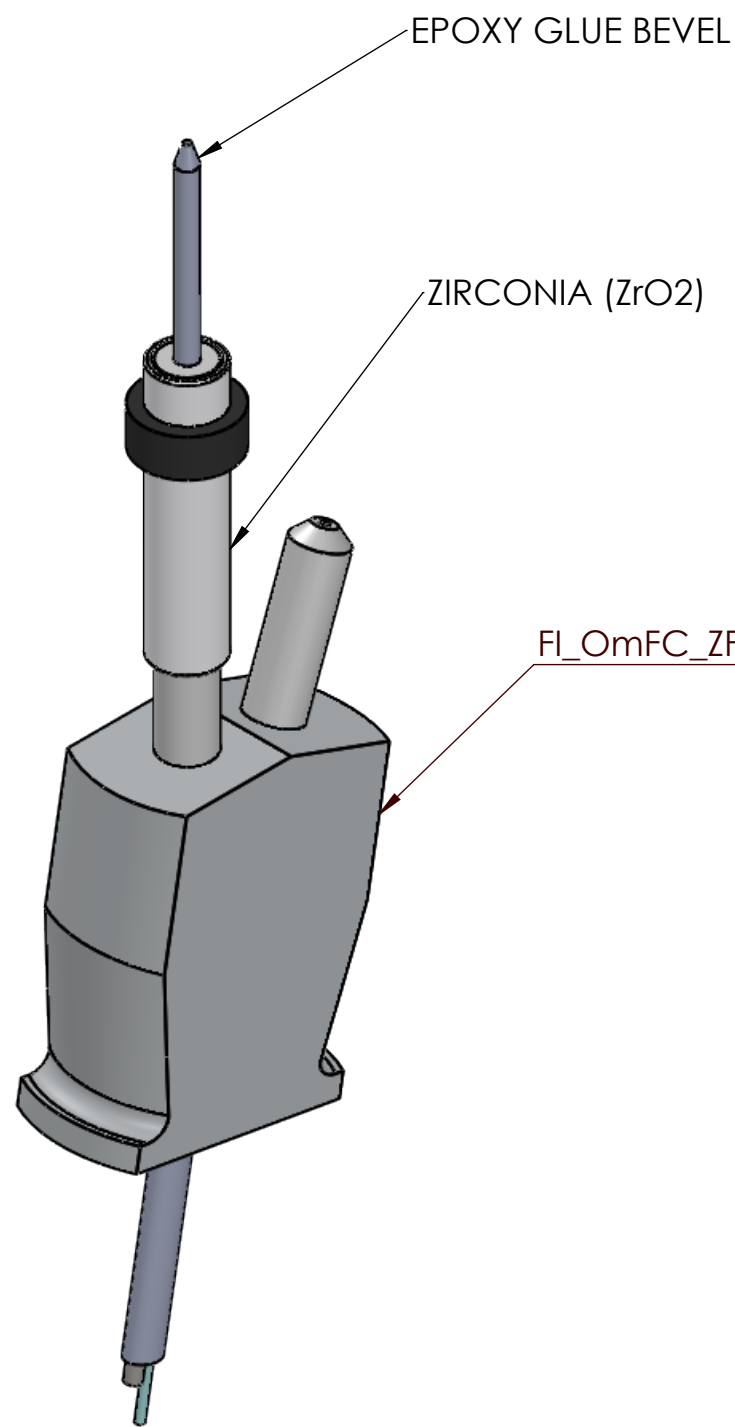
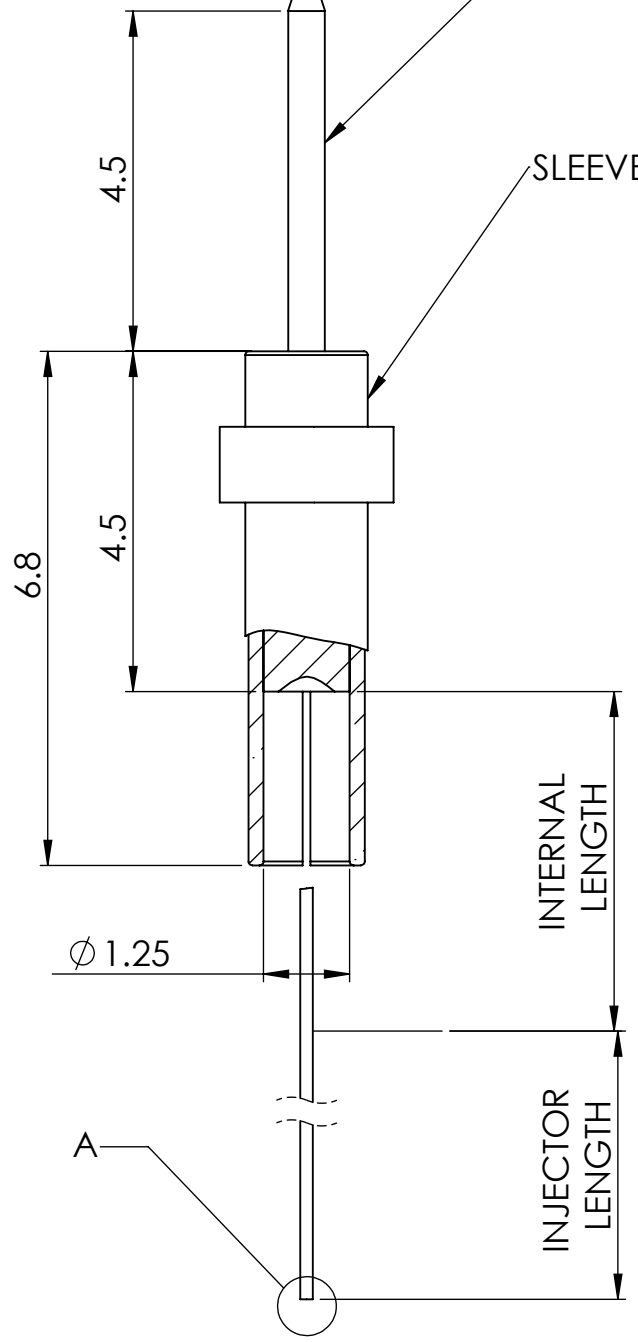
STAINLESS STEEL
TUBE 25 GA
OD=0.485

EPOXY GLUE BEVEL

SLEEVE FOR ZF1.25

ZIRCONIA (ZrO₂)


FI_OmFC_ZF



Dimensions in mm
For Information Purposes Only

PROPRIETARY
THE INFORMATION CONTAINED IN THIS DRAWING
IS THE SOLE PROPERTY OF Doric Lenses Inc..
ANY REPRODUCTION IN PART OR AS A WHOLE
WITHOUT THE WRITTEN PERMISSION OF
Doric Lenses Inc. IS PROHIBITED.

DO NOT SCALE DRAWING

		357 rue Franquet, Quebec, QC G1P 4N7, Canada; Tel: 418 877 5600; doriclenses.com;	
TITLE:		FI_OmFC_ZF	
DWG. NO.		B286-4002-x	
		6-6-2017	