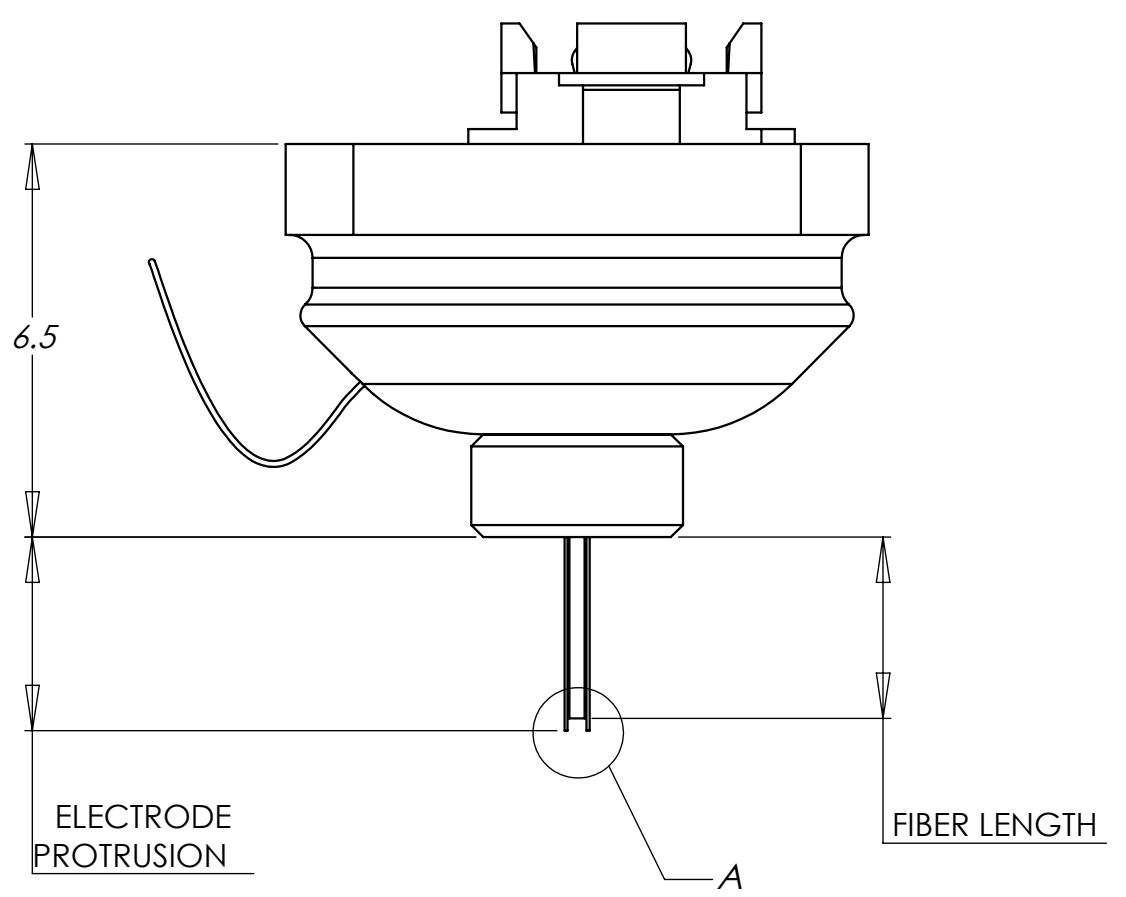
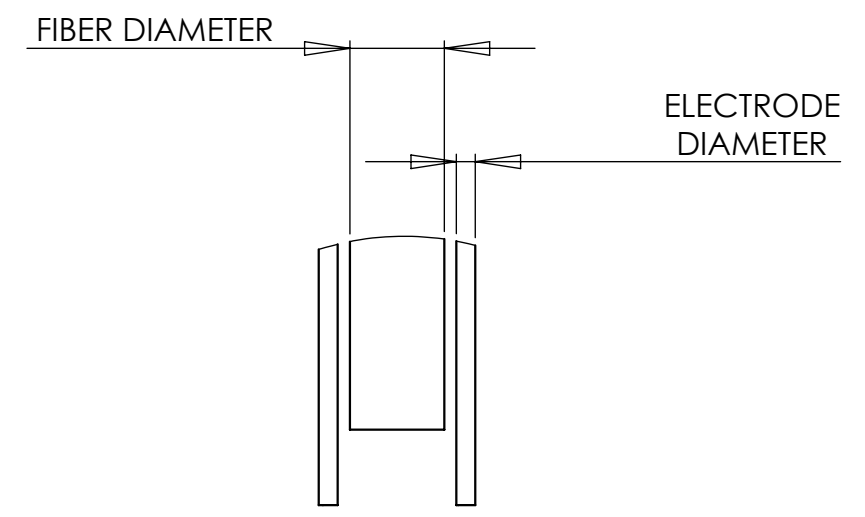
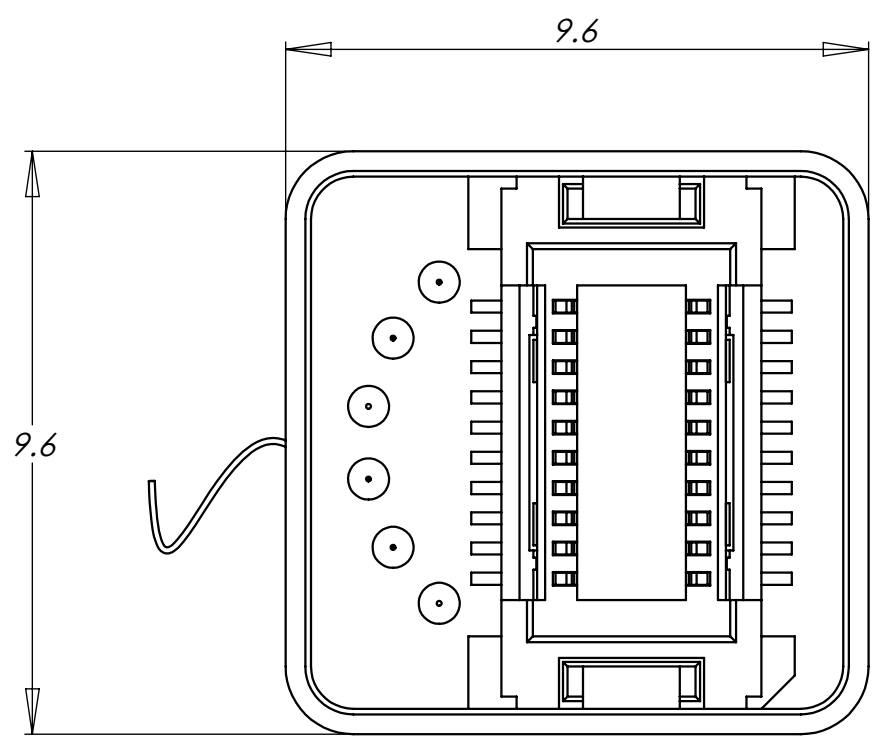
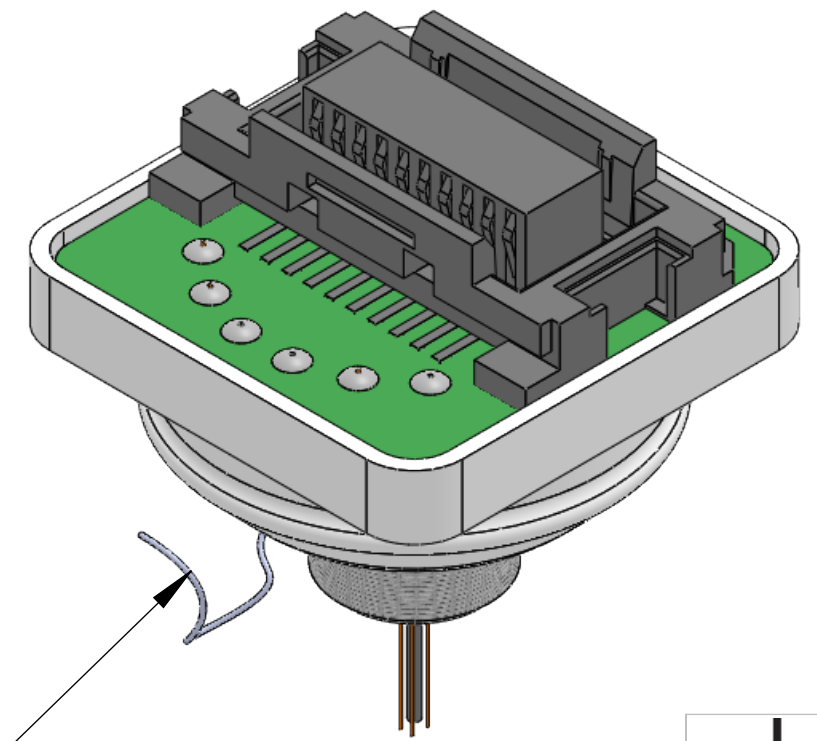


8 7 6 5 4 3 2 1

D  
C  
B  
A



REFERENCE ELECTRODE



Dimensions in mm  
For Information Purposes Only

PROPRIETARY  
THE INFORMATION CONTAINED IN THIS DRAWING  
IS THE SOLE PROPERTY OF Doric Lenses Inc..  
ANY REPRODUCTION IN PART OR AS A WHOLE  
WITHOUT THE WRITTEN PERMISSION OF  
Doric Lenses Inc. IS PROHIBITED.

DO NOT SCALE DRAWING



357 rue Franquet, Quebec, QC  
G1P 4N7, Canada;  
Tel: 418 877 5600;  
doriclenses.com;

TITLE:

Fi-Wi Cannula

DWG. NO.

B410-10xx

16-11-2018

8 7 6 5 4 3 2 1

D  
C  
B  
A