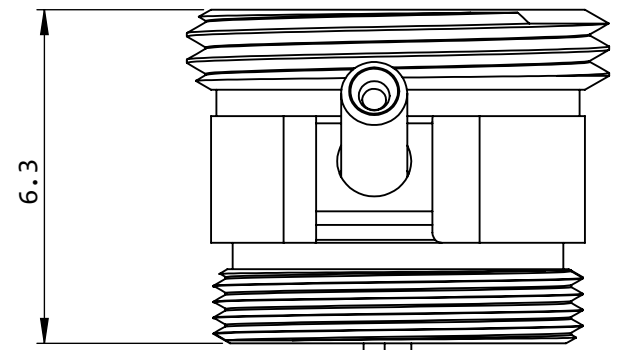


8 7 6 5 4 3 2 1

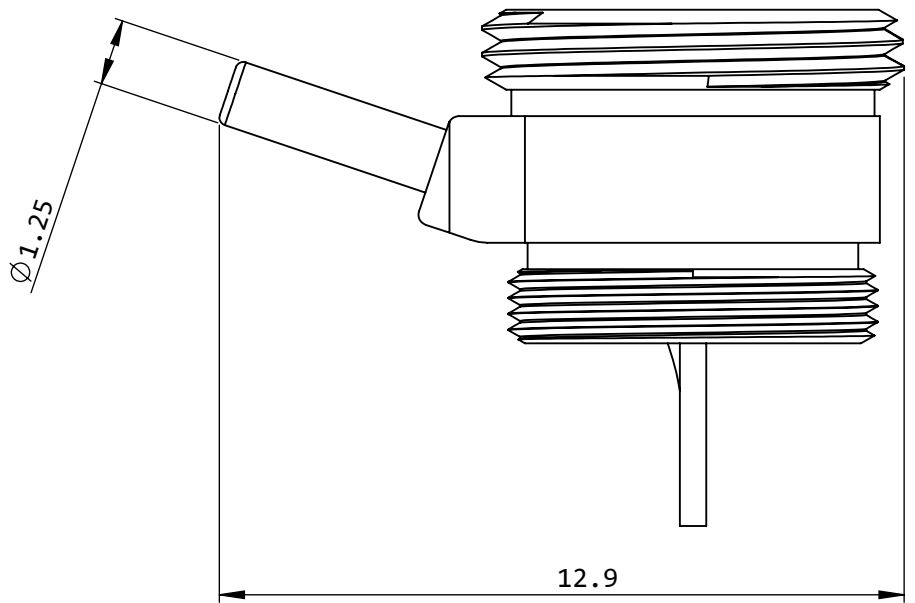
D

D



GUIDING TUBE FOR LIQUID INJECTION

GRIN LENS



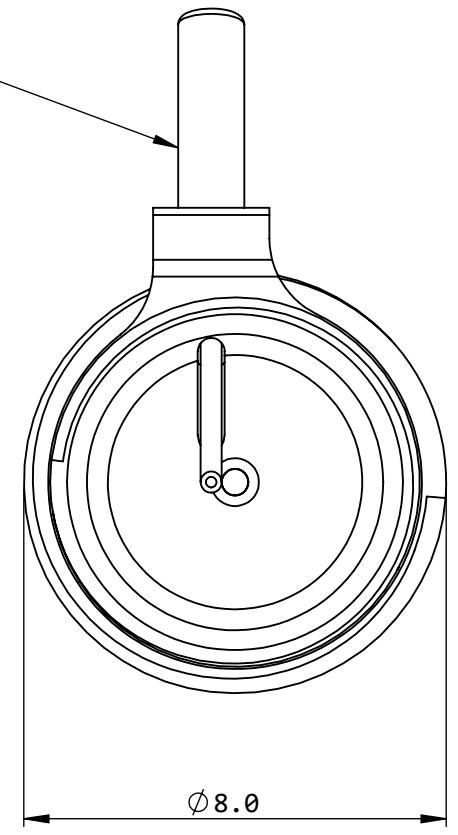
$\varnothing 1.25$

12.9

C

C

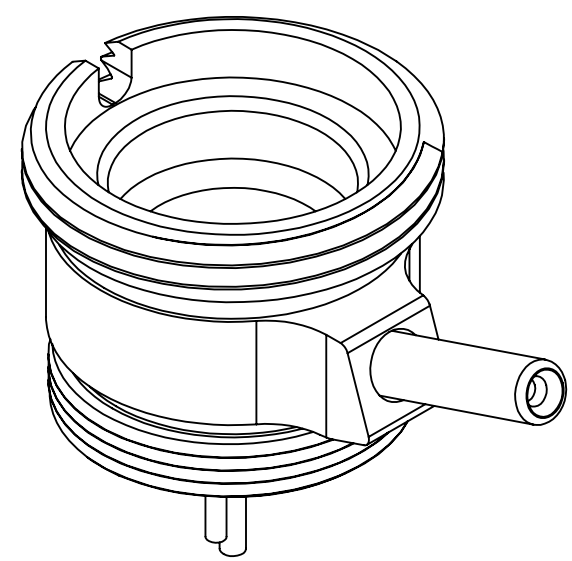
FERRULE ZF 1.25



$\varnothing 8.0$

B

B



A

A

Dimensions in mm
For Information Purposes Only

PROPRIETARY
THE INFORMATION CONTAINED IN THIS DRAWING IS THE SOLE PROPERTY OF **Doric Lenses Inc.** ANY REPRODUCTION IN PART OR AS A WHOLE WITHOUT THE WRITTEN PERMISSION OF **Doric Lenses Inc.** IS PROHIBITED.

DO NOT SCALE DRAWING

doric

357 rue Franquet, Quebec, QC
G1P 4N7, Canada;
Tel: 418 877 5600;
doriclenses.com;

TITLE:
eTICL_fluid

DWG. NO.
B293-0405-XXX

24-8-2023

8 7 6 5 4 3 2 1

1