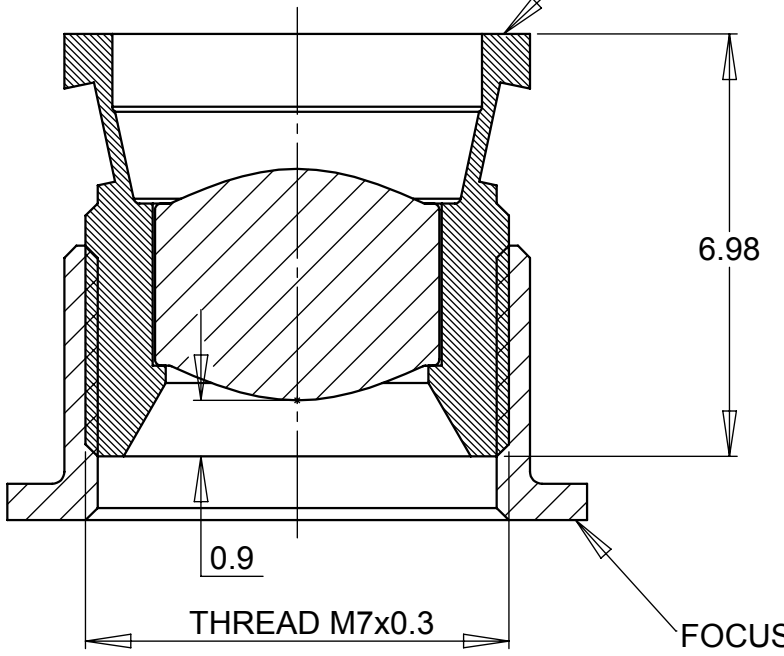
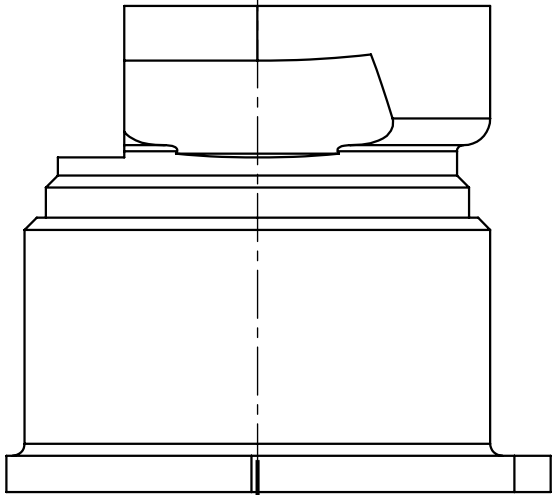
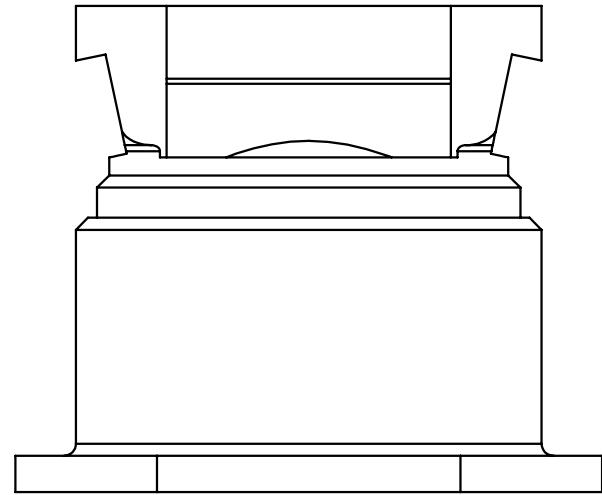
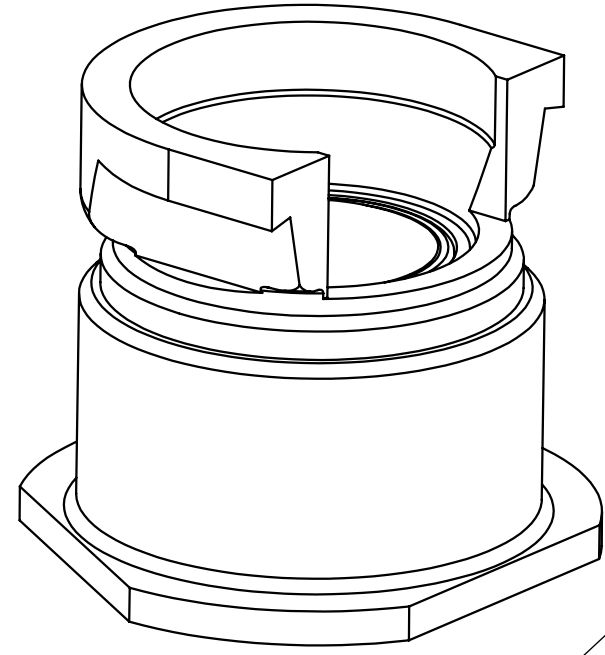
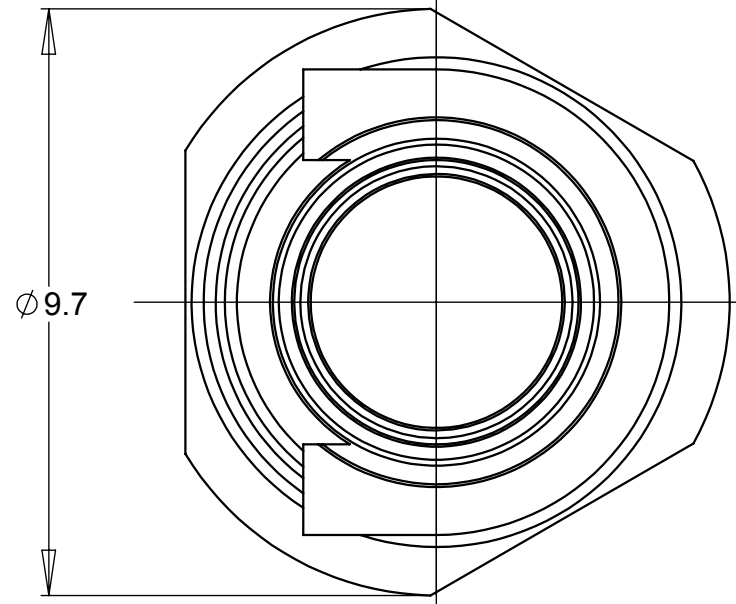
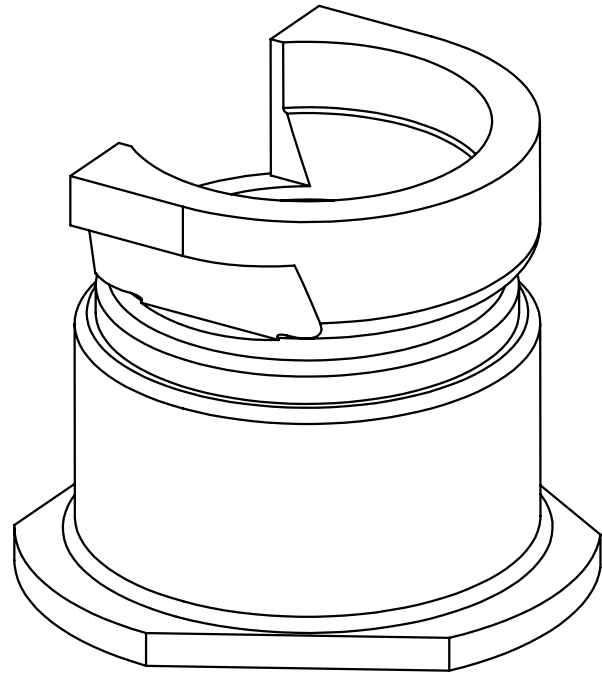


8 7 6 5 4 3 2 1



SECTION AE-AE

D
C
B
A

D
C
B
A



357 rue Franquet, Quebec, QC
G1P 4N7, Canada;
Tel: 418 877 5600;
doriclenses.com;

Dimensions in mm
For Information Purposes Only

TITLE:
SICS

PROPRIETARY
THE INFORMATION CONTAINED IN THIS DRAWING
IS THE SOLE PROPERTY OF **Doric Lenses Inc.**..
ANY REPRODUCTION IN PART OR AS A WHOLE
WITHOUT THE WRITTEN PERMISSION OF
Doric Lenses Inc. IS PROHIBITED.

DWG. NO.
B243-0005

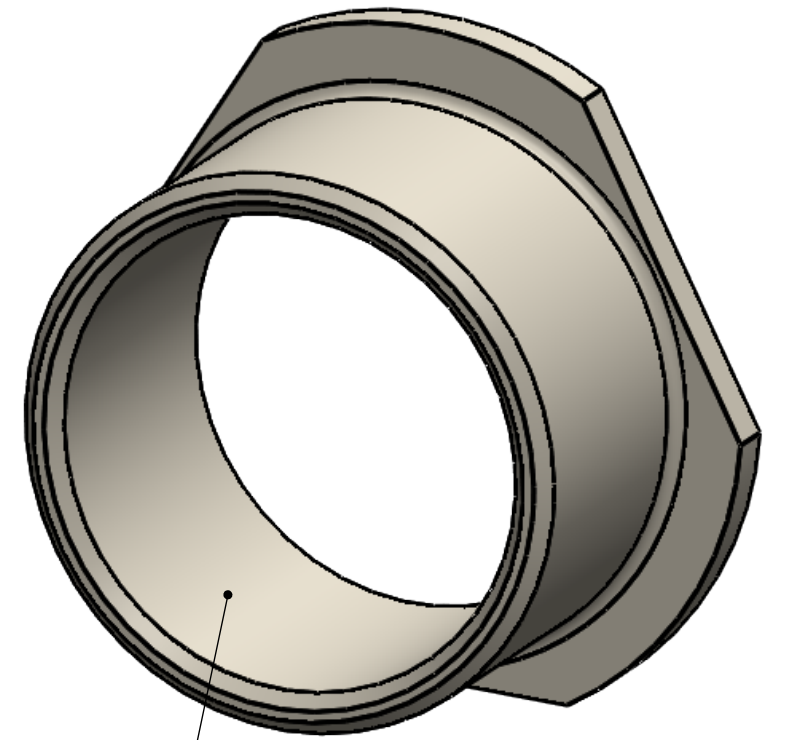
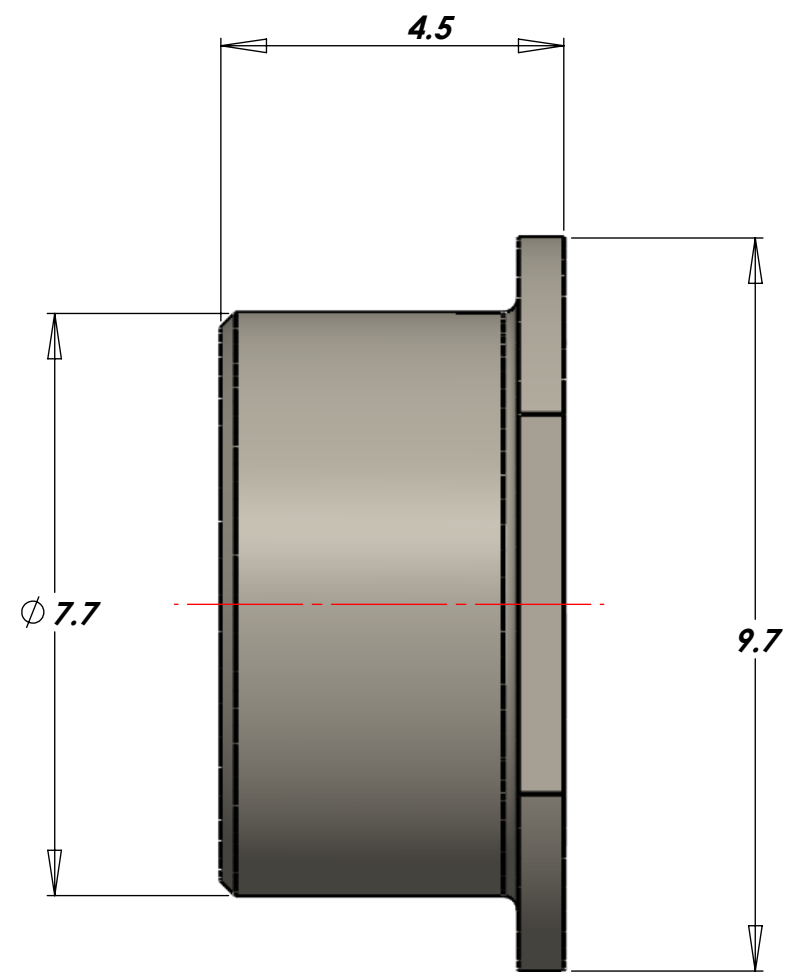
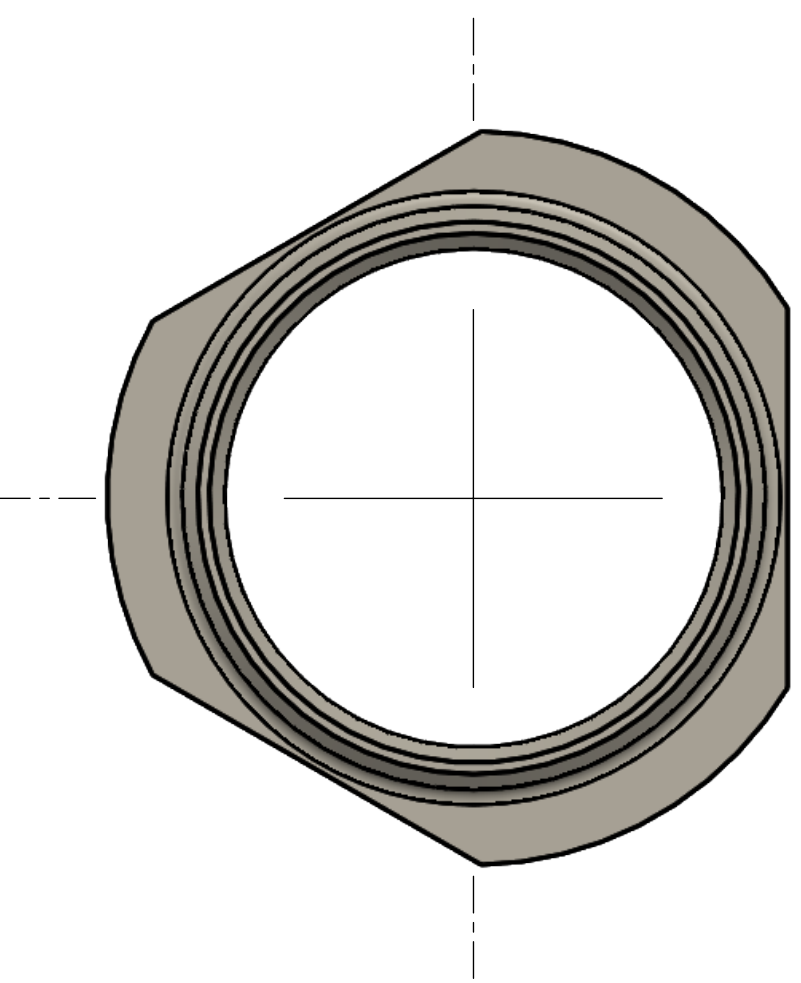
DO NOT SCALE DRAWING

21/11/2017

8 7 6 5 4 3 2 1

8 7 6 5 4 3 2 1

D
C
B
A




THREAD M7x0.3

Dimensions in mm
For Information Purposes Only

PROPRIETARY
THE INFORMATION CONTAINED IN THIS DRAWING IS THE SOLE PROPERTY OF **Doric Lenses Inc.** ANY REPRODUCTION IN PART OR AS A WHOLE WITHOUT THE WRITTEN PERMISSION OF **Doric Lenses Inc.** IS PROHIBITED.

DO NOT SCALE DRAWING

	357 rue Franquet, Quebec, QC G1P 4N7, Canada; Tel: 418 877 5600; doriclenses.com;
TITLE:	FARS_S
DWG. NO.	B350-1106
	25/10/2017

8 7 6 5 4 3 2 1

D
C
B
A