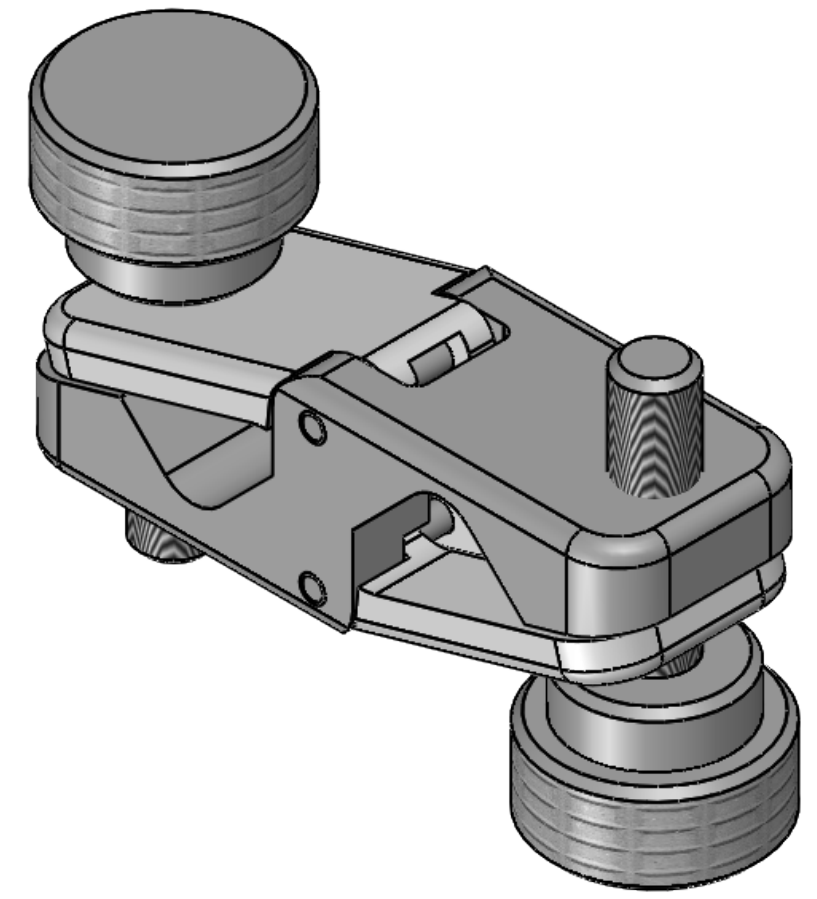
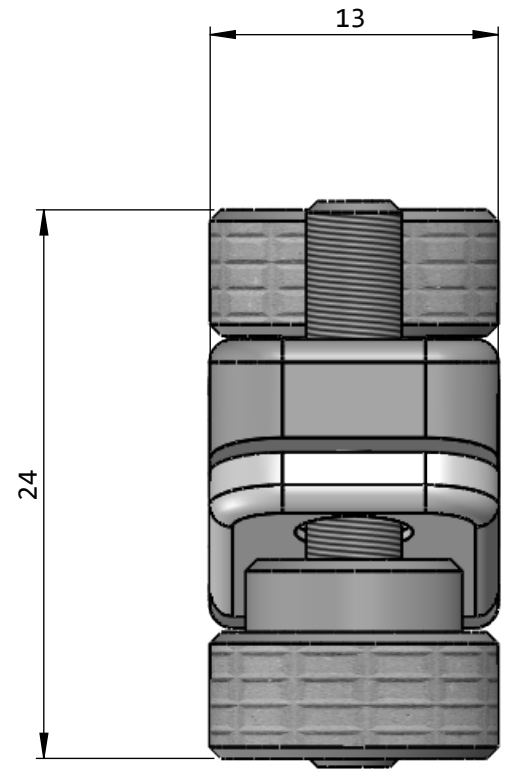
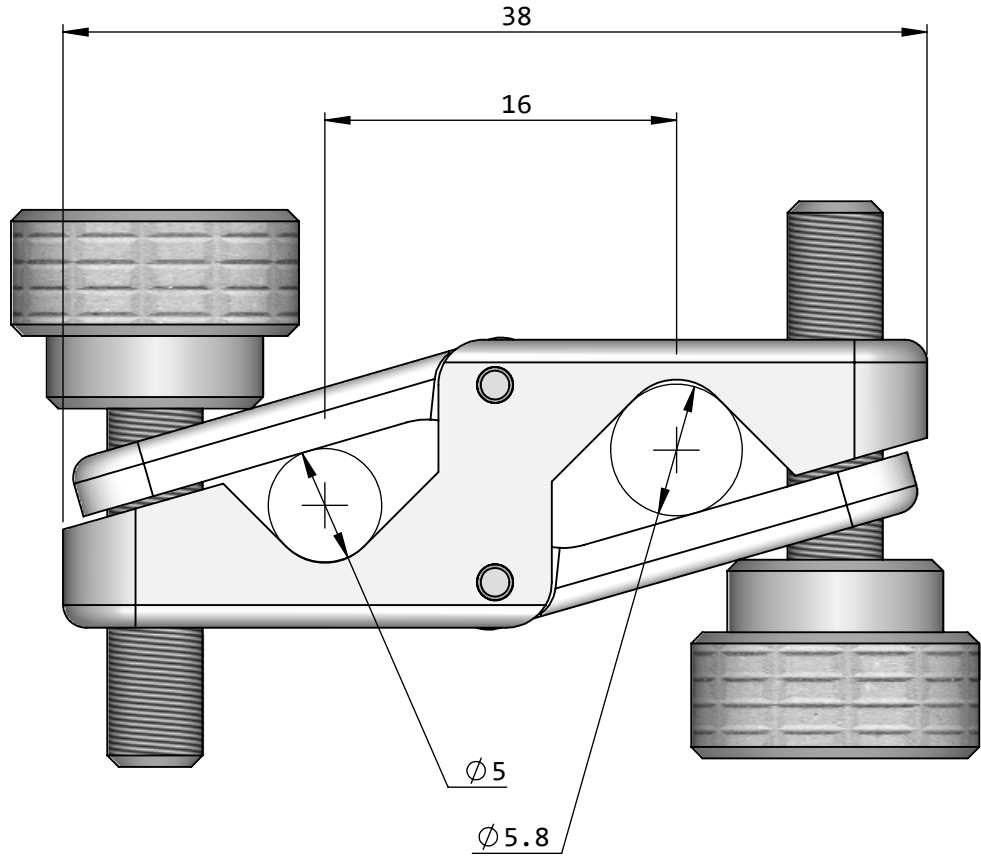
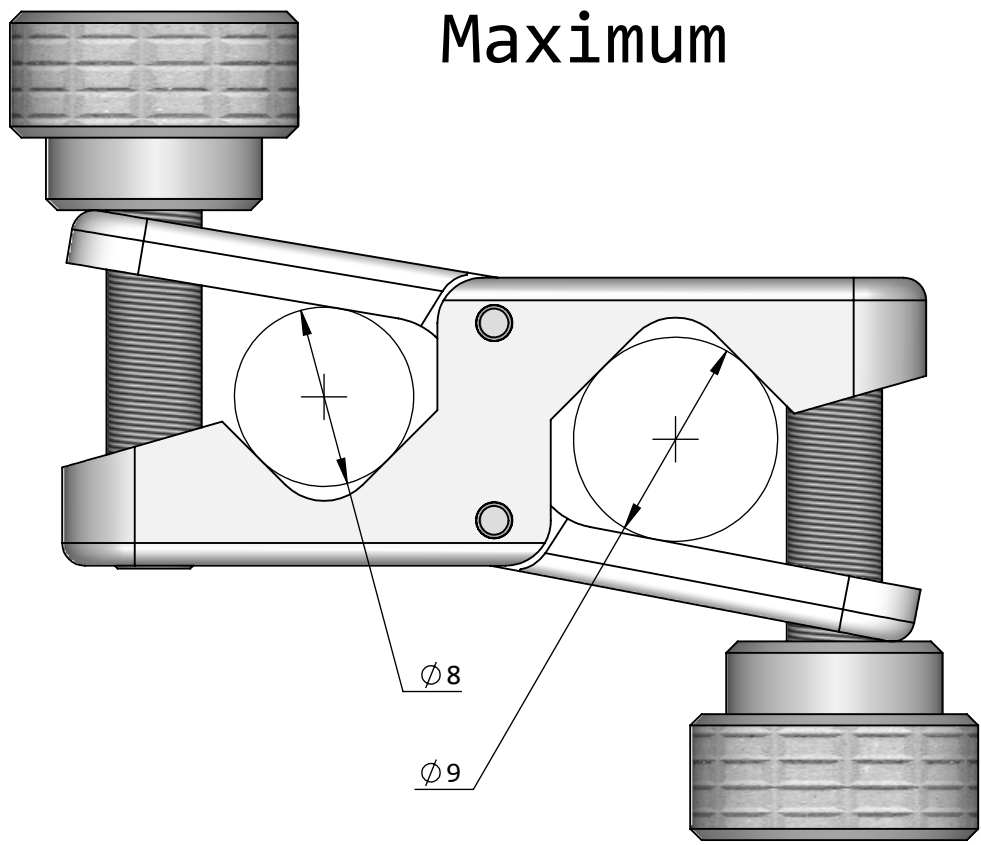


8 7 6 5 4 3 2 1

Minimum



Maximum



Dimensions in mm
For Information Purposes Only

PROPRIETARY
THE INFORMATION CONTAINED IN THIS DRAWING IS THE SOLE PROPERTY OF **Doric Lenses Inc.** ANY REPRODUCTION IN PART OR AS A WHOLE WITHOUT THE WRITTEN PERMISSION OF **Doric Lenses Inc.** IS PROHIBITED.

DO NOT SCALE DRAWING

doric

357 rue Franquet, Quebec, QC
G1P 4N7, Canada;
Tel: 418 877 5600;
doriclenses.com;

TITLE:
SCL_5-8

DWG. NO.
B700-1036

25-2-2019

8 7 6 5 4 3 2 1