

8 7 6 5 4 3 2 1

D

D

C

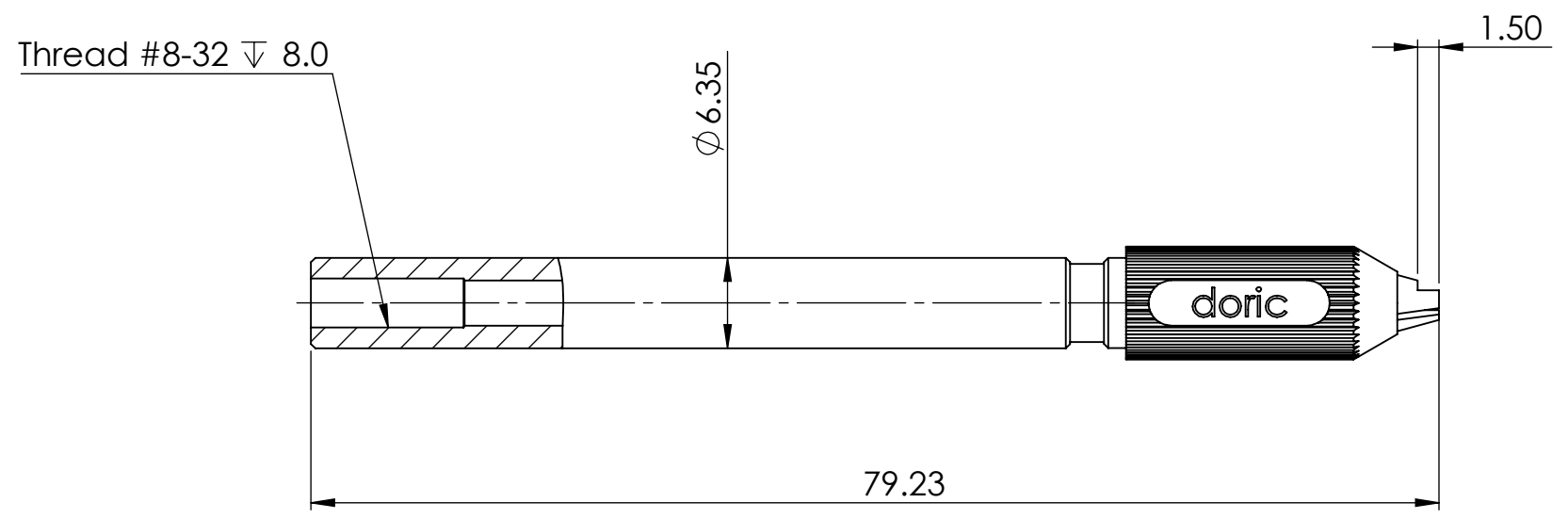
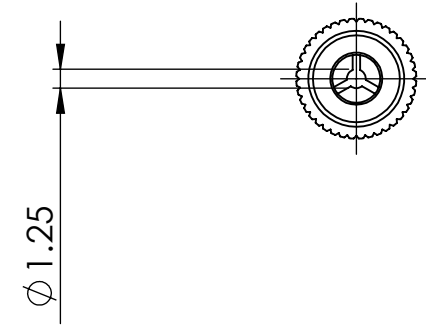
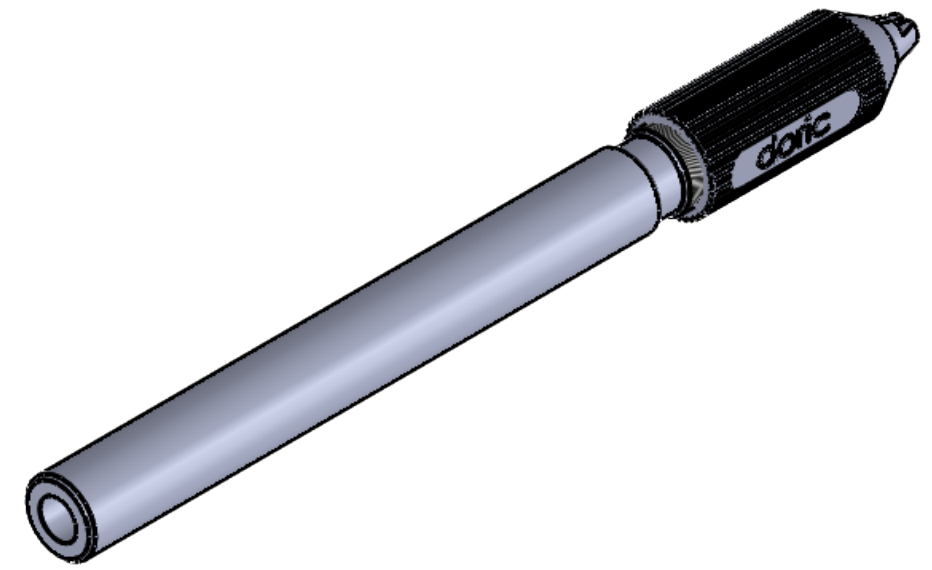
C


B

B

A

A



|   |  |
|---|--|
|    | 357 rue Franquet, Quebec, QC<br>G1P 4N7, Canada;<br>Tel: 418 877 5600;<br>doriclenses.com; |
|   | TITLE:<br><h2 style="text-align: center;">SCH_TFC P=1.8</h2>                               |
| PROPRIETARY<br>THE INFORMATION CONTAINED IN THIS DRAWING<br>IS THE SOLE PROPERTY OF Doric Lenses Inc..<br>ANY REPRODUCTION IN PART OR AS A WHOLE<br>WITHOUT THE WRITTEN PERMISSION OF<br>Doric Lenses Inc. IS PROHIBITED. | DWG. NO.<br><h2 style="text-align: center;">B700-1012</h2>                                 |
| DO NOT SCALE DRAWING  | 23-05-2017   |

Dimensions in mm  
For Information Purposes Only

8 7 6 5 4 3 2 1