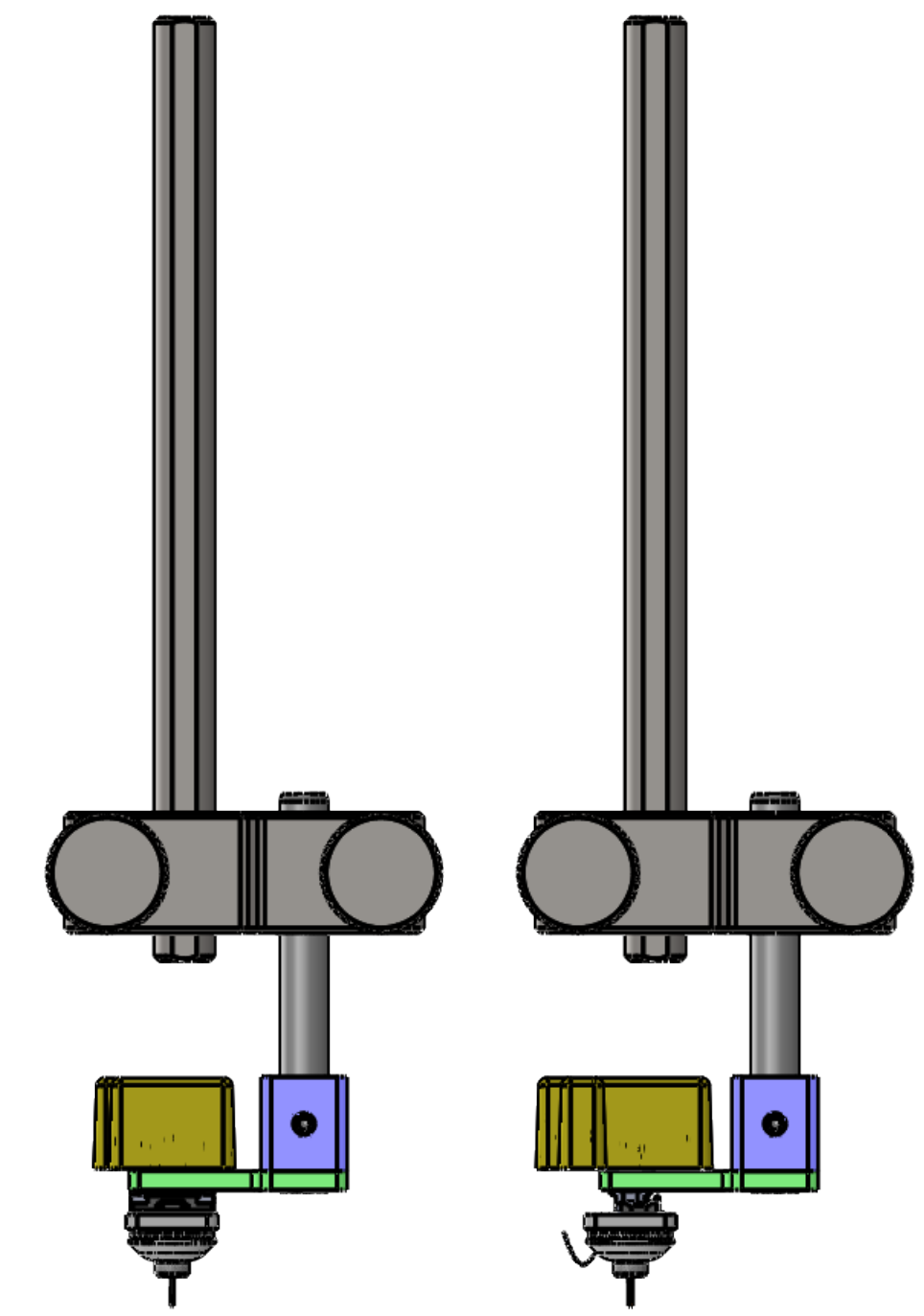


8 7 6 5 4 3 2 1

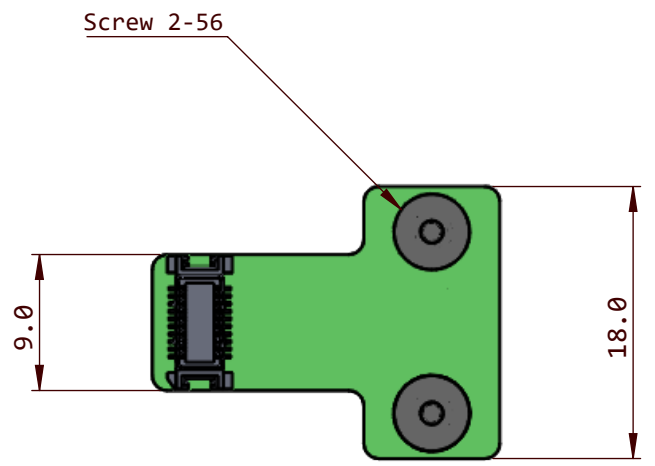
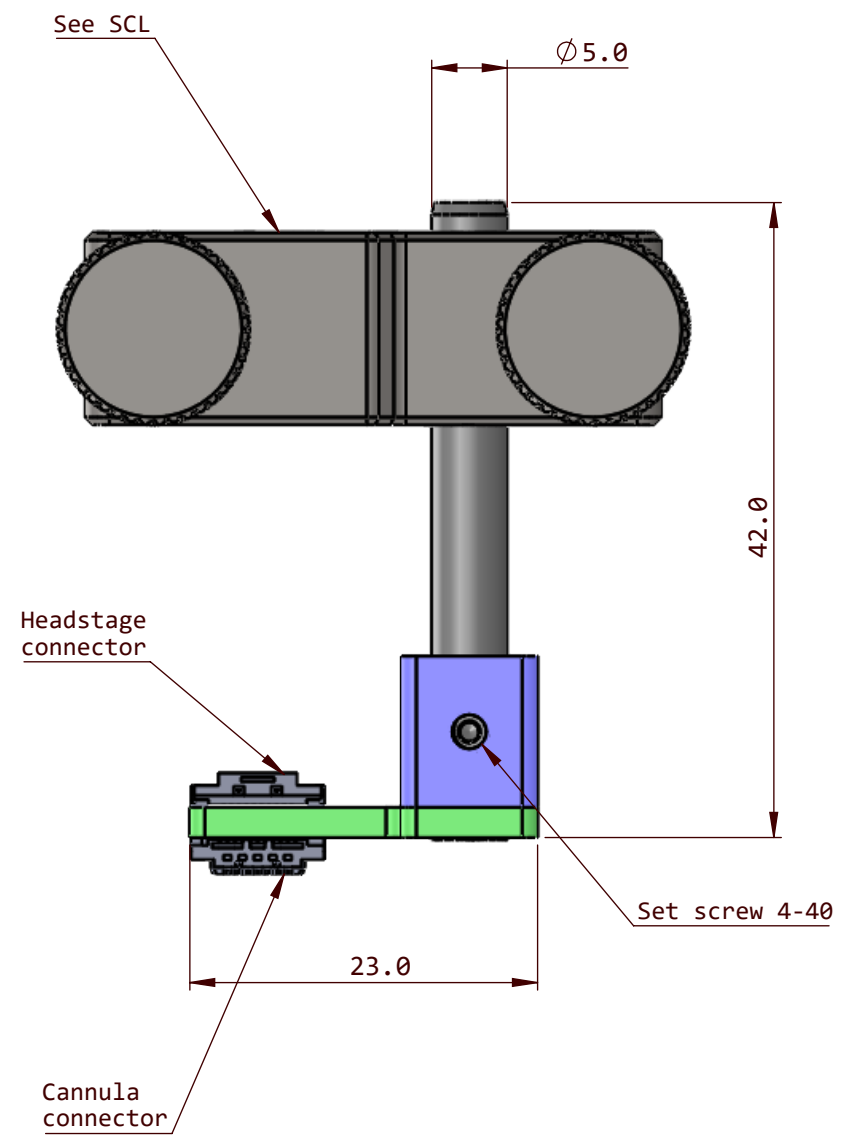
D
C
B
A

D
C
B
A



OPTION P1_1


OPTION P1_2



Dimensions in mm
For Information Purposes Only

PROPRIETARY
THE INFORMATION CONTAINED IN THIS DRAWING
IS THE SOLE PROPERTY OF Doric Lenses Inc..
ANY REPRODUCTION IN PART OR AS A WHOLE
WITHOUT THE WRITTEN PERMISSION OF
Doric Lenses Inc. IS PROHIBITED.

DO NOT SCALE DRAWING

		357 rue Franquet, Quebec, QC G1P 4N7, Canada; Tel: 418 877 5600; doriclenses.com;	
TITLE:		SCH_FiWi	
DWG. NO.		B700-1029	
		25-1-2019	

8 7 6 5 4 3 2 1