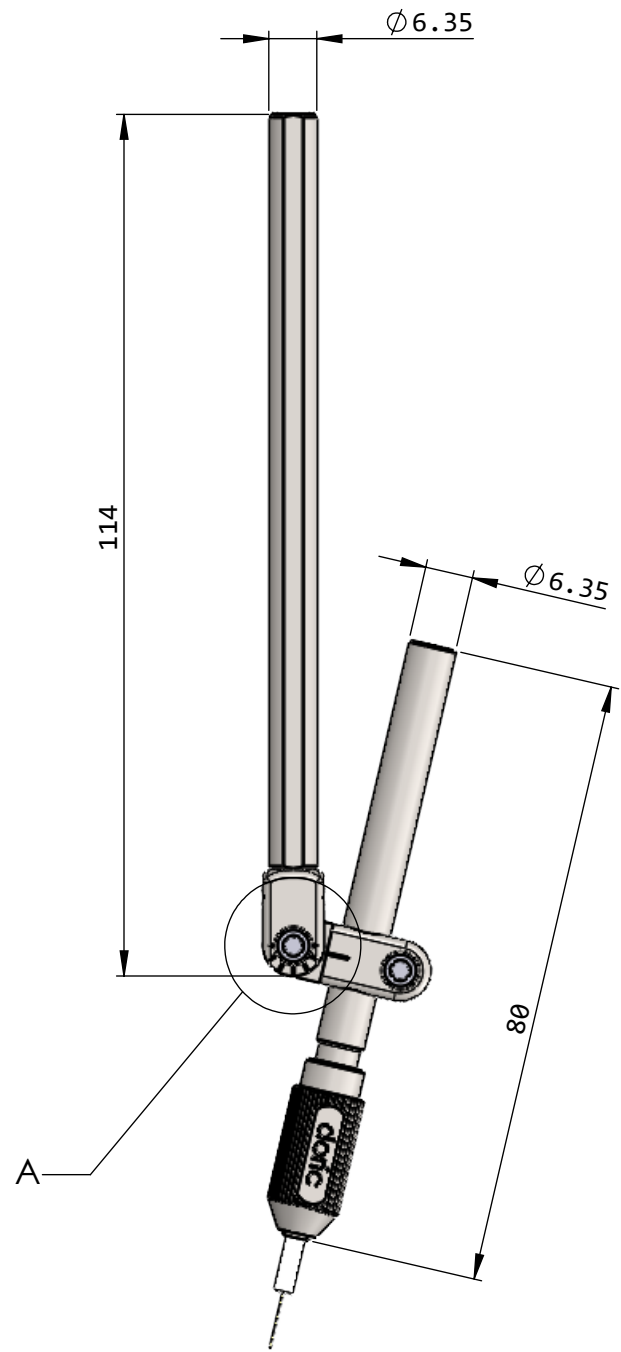


8 7 6 5 4 3 2 1

D
C
B
A

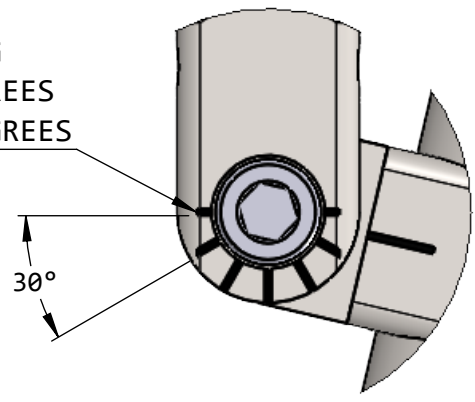


STEREOTAXIC IN-LINE
ADAPTER OD=6.35

STEREOTAXIC CANNULA
HOLDER 1.25 mm OR 2.5mm

9

BILATERAL
LASER ETCHING
EVERY 30 DEGREES
RANGE 180 DEGREES



DETAIL A
SCALE 3 : 1

Dimensions in mm
For Information Purposes Only

PROPRIETARY
THE INFORMATION CONTAINED IN THIS DRAWING
IS THE SOLE PROPERTY OF **Doric Lenses Inc.**..
ANY REPRODUCTION IN PART OR AS A WHOLE
WITHOUT THE WRITTEN PERMISSION OF
Doric Lenses Inc. IS PROHIBITED.

DO NOT SCALE DRAWING

		357 rue Franquet, Quebec, QC G1P 4N7, Canada; Tel: 418 877 5600; doriclenses.com;	
TITLE:		SCH_AA	
DWG. NO.		B700-1045	
		16-2-2023	

8 7 6 5 4 3 2 1

D
C
B
A