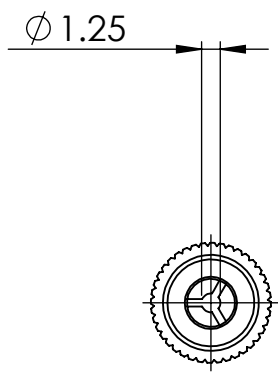


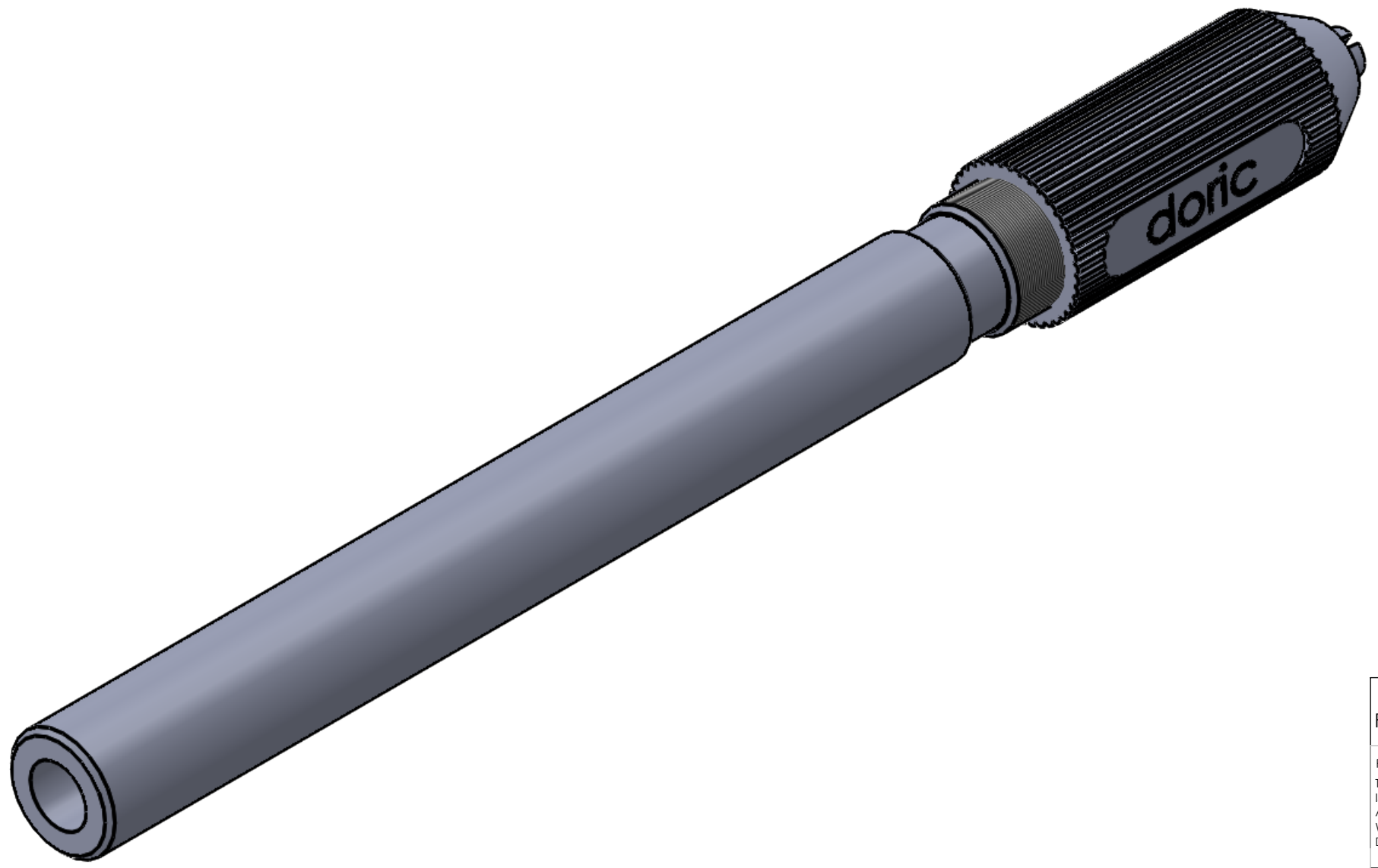
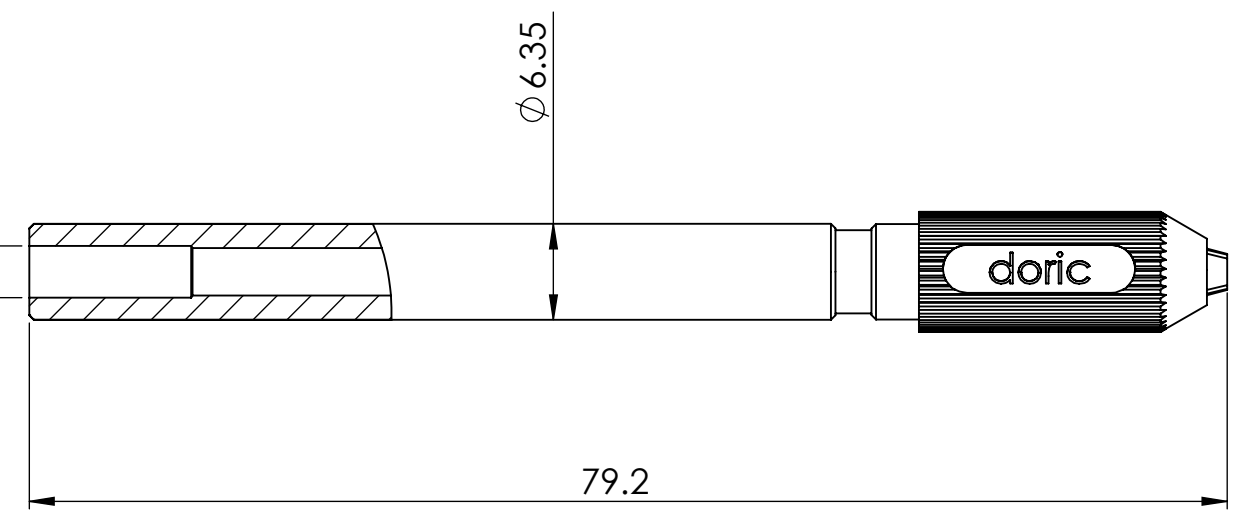
8 7 6 5 4 3 2 1

D  
C  
B  
A

D  
C  
B  
A



Thread #8-32  $\nabla$  8.0



Dimensions in mm  
For Information Purposes Only

PROPRIETARY  
THE INFORMATION CONTAINED IN THIS DRAWING  
IS THE SOLE PROPERTY OF Doric Lenses Inc..  
ANY REPRODUCTION IN PART OR AS A WHOLE  
WITHOUT THE WRITTEN PERMISSION OF  
Doric Lenses Inc. IS PROHIBITED.

DO NOT SCALE DRAWING

	357 rue Franquet, Quebec, QC G1P 4N7, Canada; Tel: 418 877 5600; doriclenses.com;
TITLE:	SCH_1.25
DWG. NO.	B700-1001
	2018-03-20

8 7 6 5 4 3 2 1