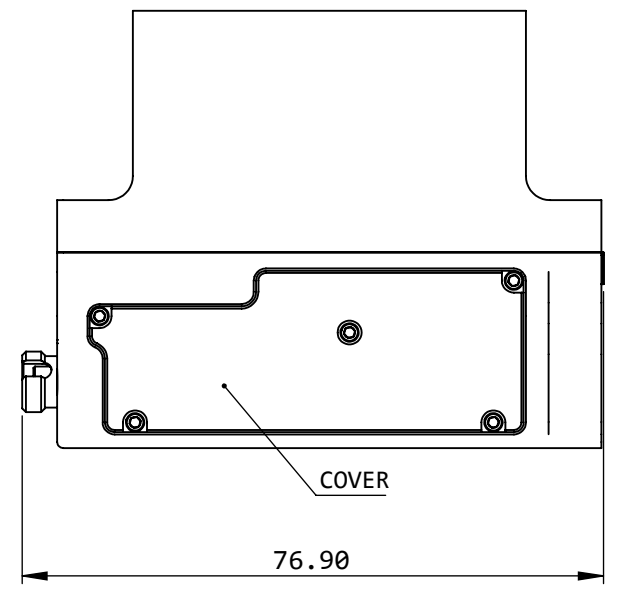
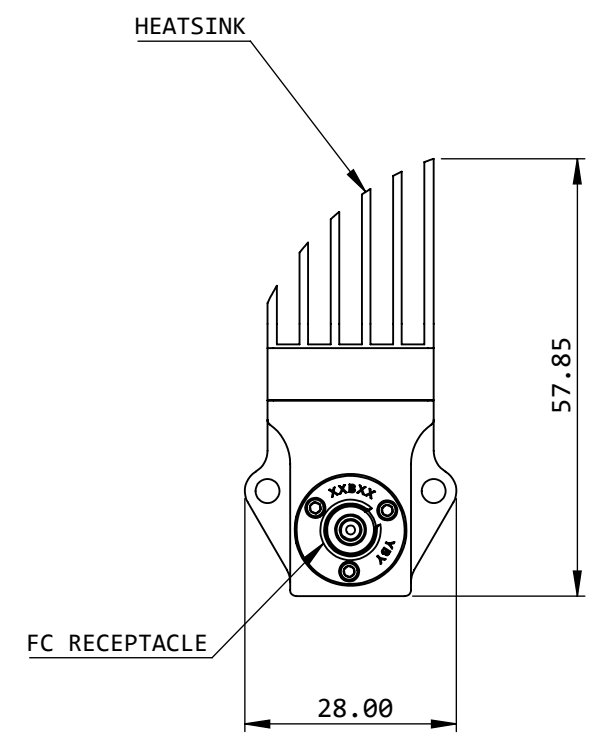
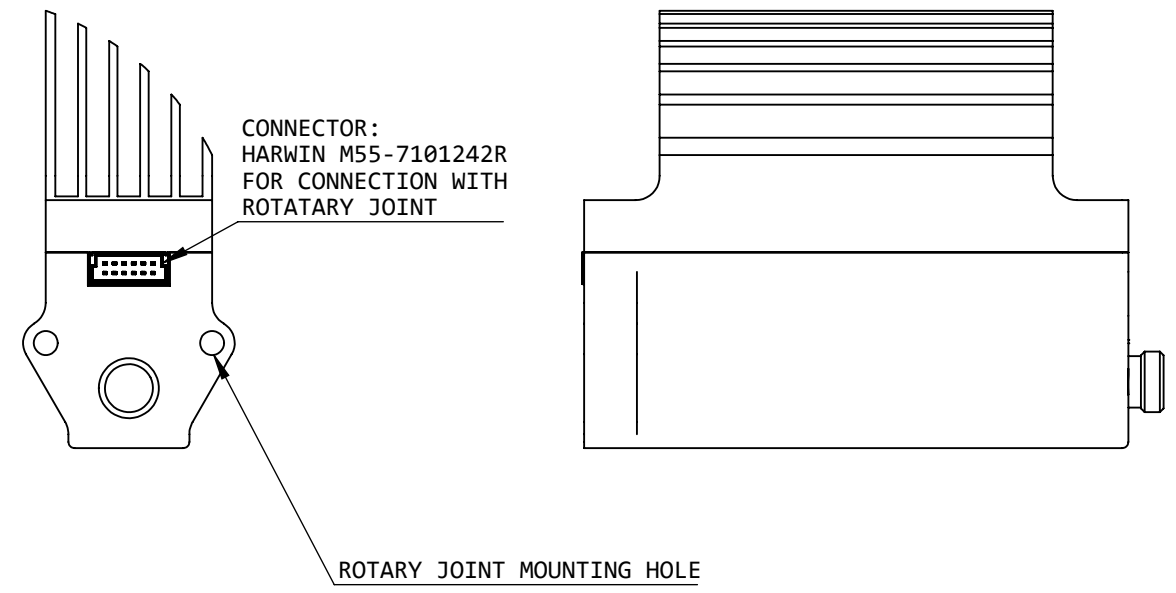
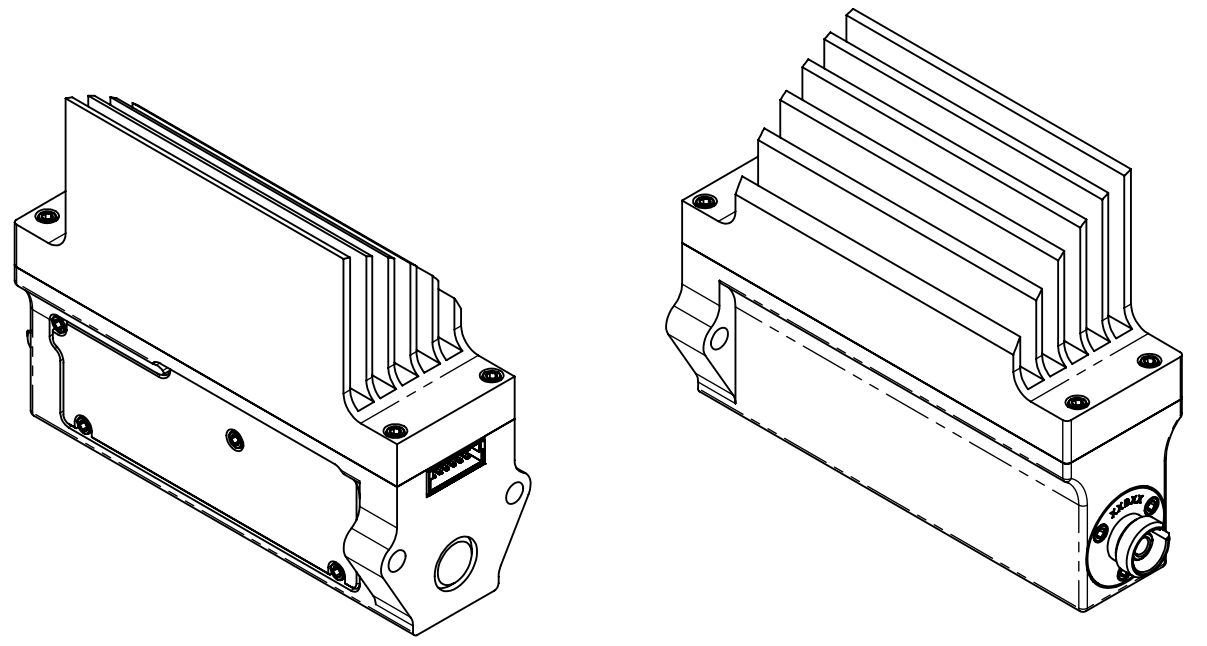


8 7 6 5 4 3 2 1

D  
C  
B  
A

D  
C  
B  
A



Dimensions in mm  
For Information Purposes Only

**PROPRIETARY**  
THE INFORMATION CONTAINED IN THIS DRAWING  
IS THE SOLE PROPERTY OF **Doric Lenses Inc.**..  
ANY REPRODUCTION IN PART OR AS A WHOLE  
WITHOUT THE WRITTEN PERMISSION OF  
**Doric Lenses Inc.** IS PROHIBITED.

DO NOT SCALE DRAWING

**doric** 357 rue Franquet, Quebec, QC  
G1P 4N7, Canada;  
Tel: 418 877 5600;  
doriclenses.com;

TITLE:  
**RFMC**

DWG. NO.  
**B340-140X-XXX**

8 7 6 5 4 3 2 1