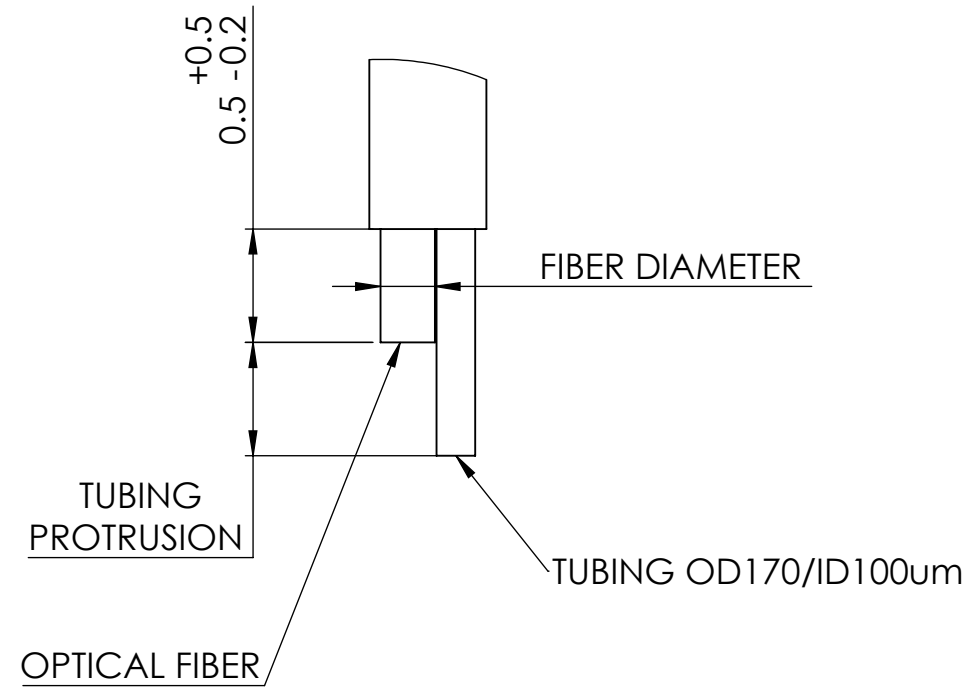
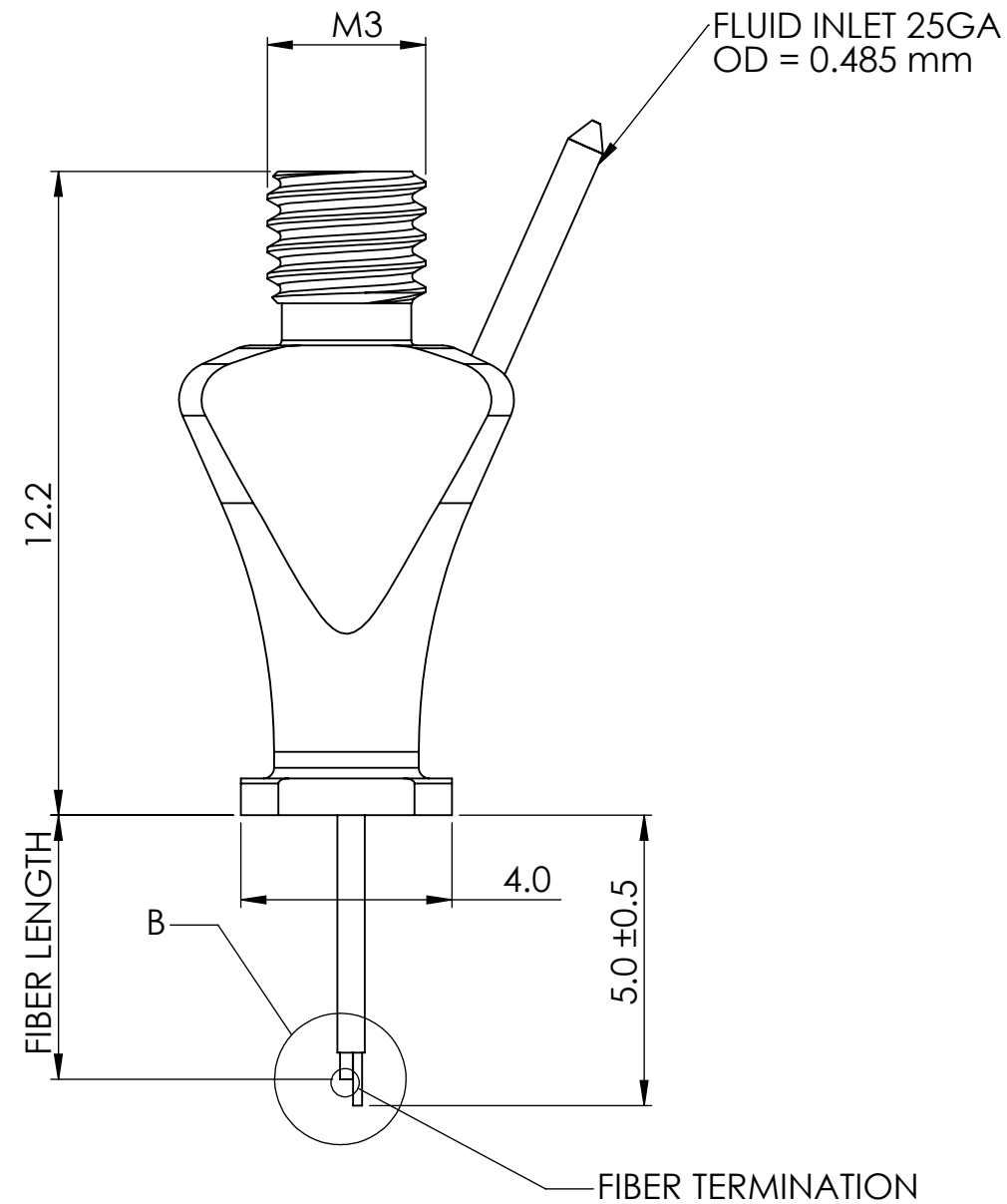


FLT	DFL	C
Flat tip	Diffuser	Cone
 Polished 0.3 μm	 Diffuser layer	 Cone

FIBER TERMINATION  
SCALE 50 : 1



DETAIL B  
SCALE 30 : 1

Dimensions in mm  
For Information Purposes Only

PROPRIETARY  
THE INFORMATION CONTAINED IN THIS DRAWING  
IS THE SOLE PROPERTY OF Doric Lenses Inc..  
ANY REPRODUCTION IN PART OR AS A WHOLE  
WITHOUT THE WRITTEN PERMISSION OF  
Doric Lenses Inc. IS PROHIBITED.

DO NOT SCALE DRAWING

	357 rue Franquet, Quebec, QC G1P 4N7, Canada; Tel: 418 877 5600; doriclenses.com;
TITLE:	OsFC
DWG. NO.	B286-00xx
	24-05-2017