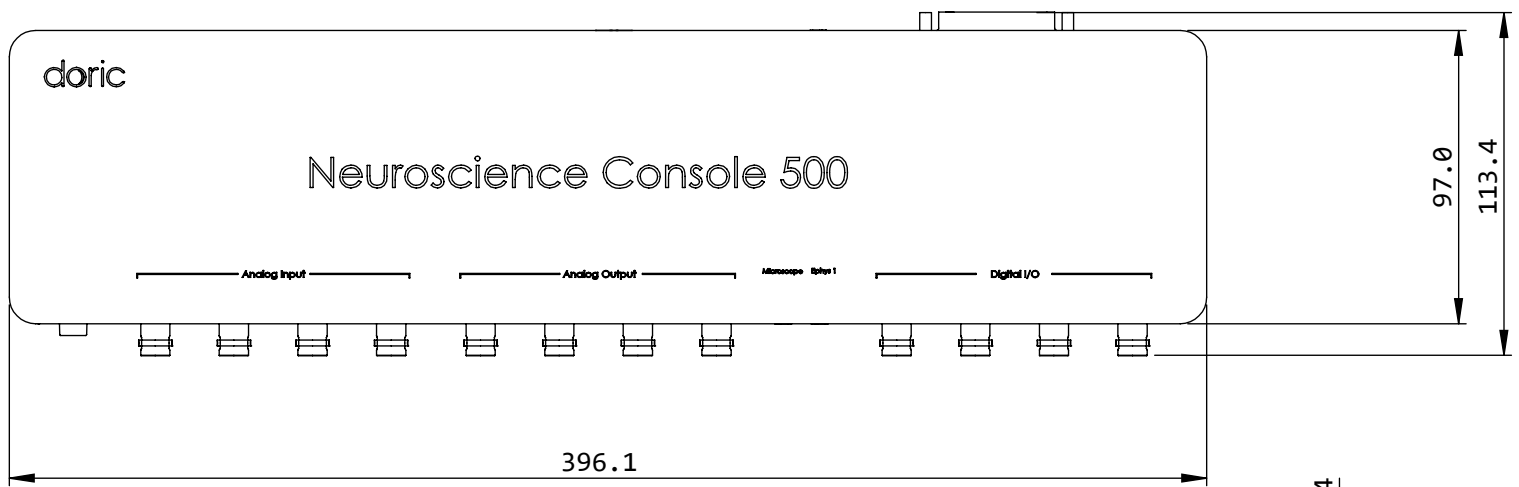


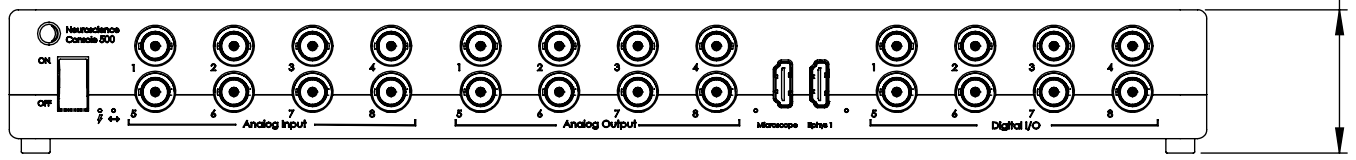
8 7 6 5 4 3 2 1

D

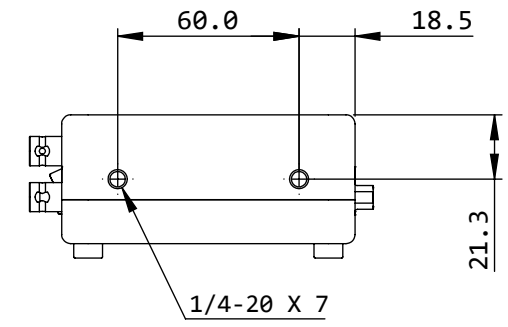


D

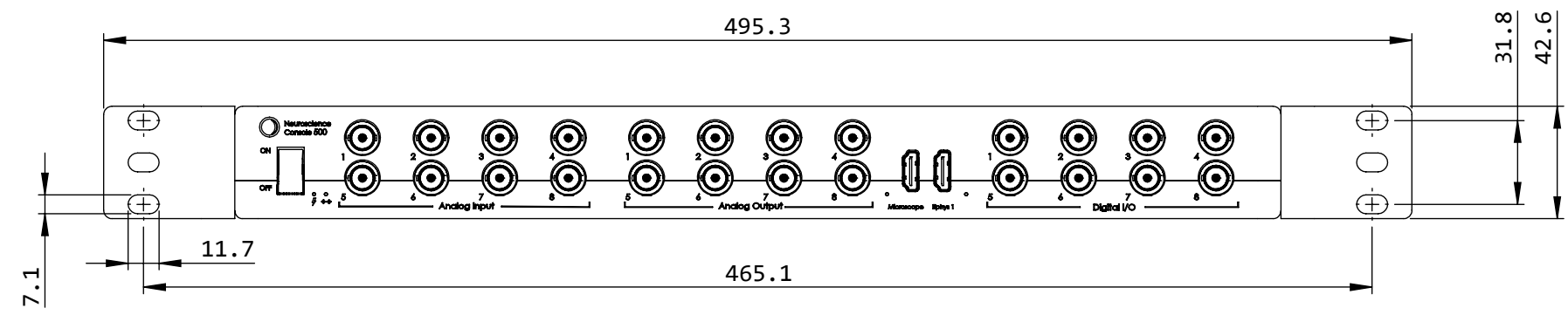
C



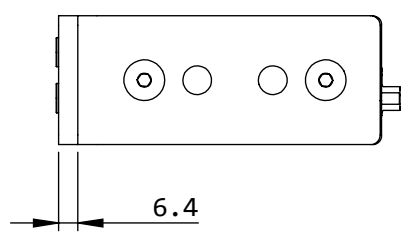
C



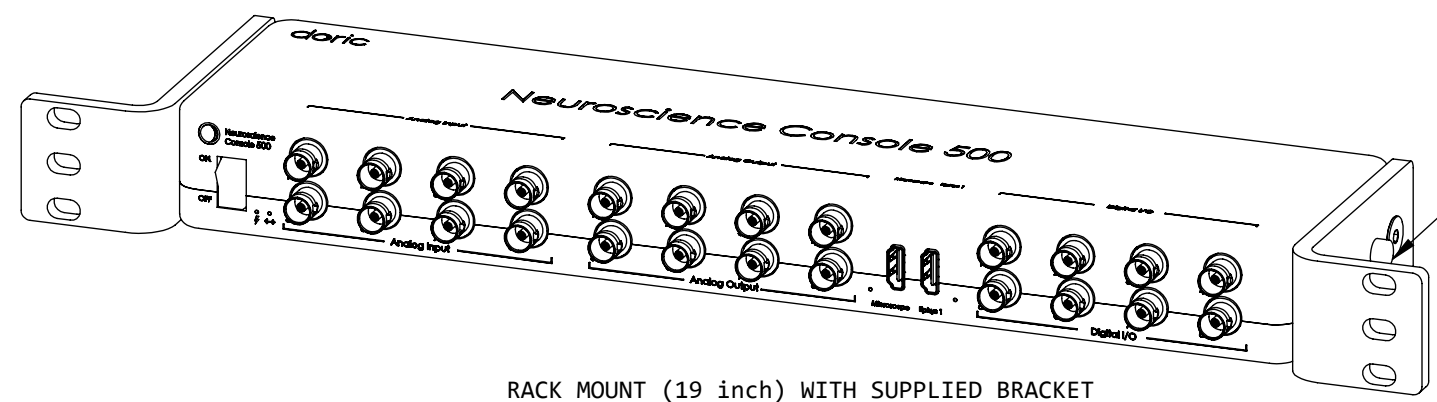
B



B



A



A

RUBBER FEET ALTERNATIVE POSITION TO ADD RACK MOUNT CLEARANCE

PROPRIETARY AND CONFIDENTIAL
 THE INFORMATION CONTAINED IN THIS DRAWING IS THE SOLE PROPERTY OF **Doric Lenses Inc.**. ANY REPRODUCTION IN PART OR AS A WHOLE WITHOUT THE WRITTEN PERMISSION OF **Doric Lenses Inc.** IS PROHIBITED.

UNLESS OTHERWISE SPECIFIED:

DIMENSIONS ARE IN MM

ANGULAR: ± 0.25 deg
 ONE PLACE DECIMAL ±0.2
 TWO PLACE DECIMAL ±0.10
 THREE PLACE DECIMAL ±0.050

INTERPRET GEOMETRIC TOLERANCING PER:

MATERIAL

FINISH **Ra 1.6**

DO NOT SCALE DRAWING

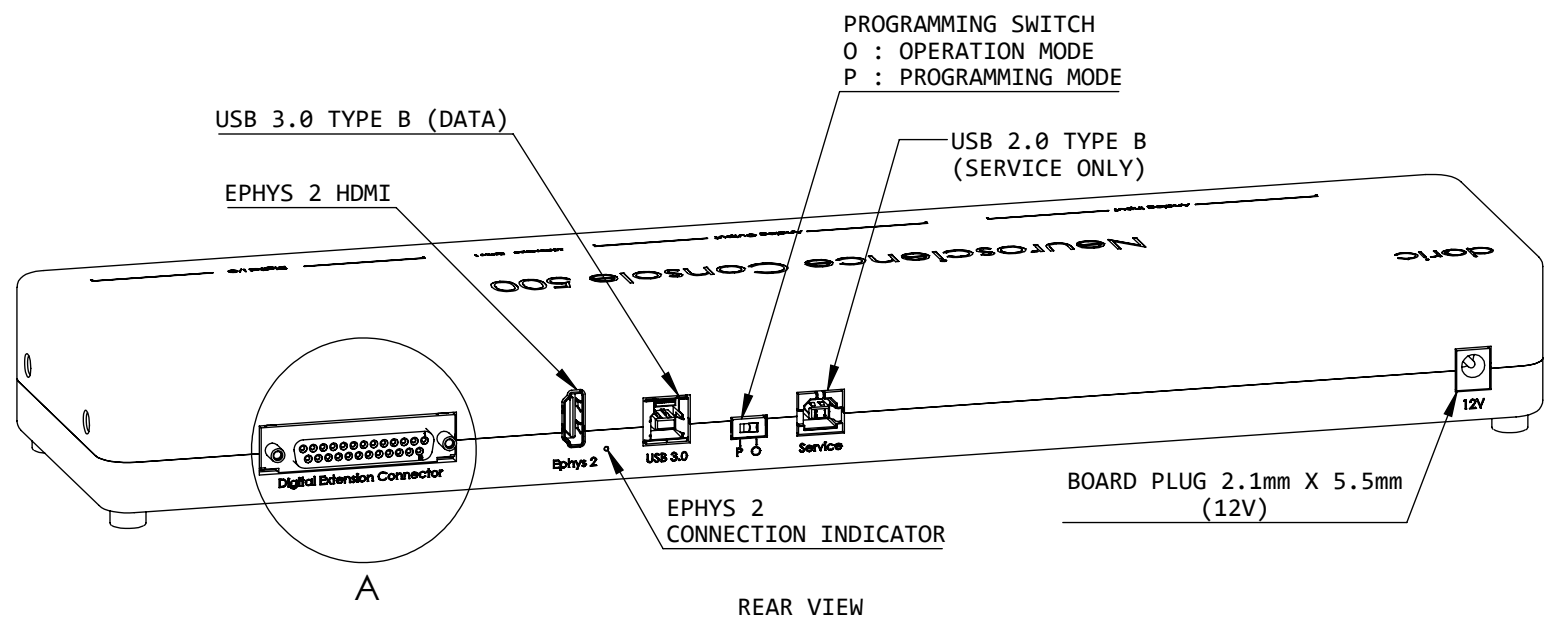
NAME	DATE
DRAWN	
CHECKED	
ENG APPR.	
MFG APPR.	
Q.A.	
Third angle projection:	

doric 357 rue Franquet, Quebec, QC G1P 4N7, Canada, Tel: 418 877 5600	
TITLE: DNC - Doric Neuroscience Console	
SIZE B	DWG. NO. D460-2004
REV 02	
WEIGHT:	SHEET 1 OF 2

8 7 6 5 4 3 2 1

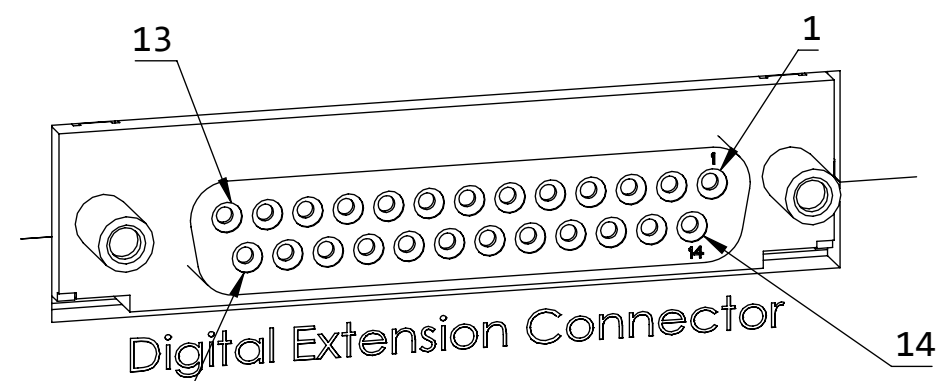
D

D



C

C

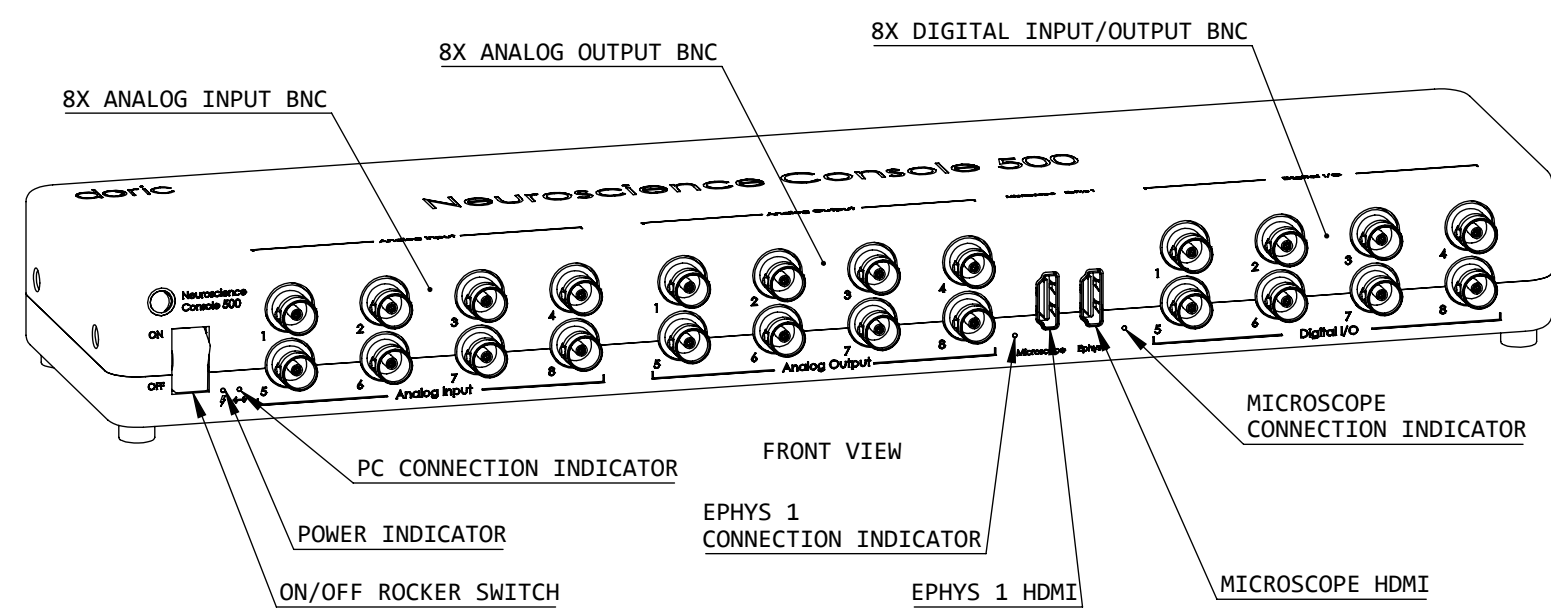


DETAIL A
SCALE 2 : 1

DB25 (FEMALE)
 PIN 1 TO 8 : DIGITAL INPUT/OUTPUT 9 TO 16
 PIN 9 TO 16 : DIGITAL OUTPUT 1 TO 8
 PIN 17 TO 24 : DIGITAL INPUT 1 TO 8
 PIN 25 : DIGITAL GROUND

B

B



A

A

UNLESS OTHERWISE SPECIFIED:	NAME	DATE	357 rue Franquet, Quebec, QC G1P 4N7, Canada, Tel: 418 877 5600
DIMENSIONS ARE IN MM	DRAWN		
ANGULAR: ± 0.25 deg	CHECKED		
ONE PLACE DECIMAL ±0.2	ENG APPR.		
TWO PLACE DECIMAL ±0.10	MFG APPR.		TITLE: DNC - Doric Neuroscience Console
THREE PLACE DECIMAL ±0.050	Q.A.		SIZE B DWG. NO. D460-2004 REV 02
INTERPRET GEOMETRIC TOLERANCING PER:	Third angle projection:		WEIGHT: SHEET 2 OF 2
MATERIAL			
FINISH Ra 1.6			
DO NOT SCALE DRAWING			

PROPRIETARY AND CONFIDENTIAL
 THE INFORMATION CONTAINED IN THIS DRAWING IS THE SOLE PROPERTY OF **Doric Lenses Inc.**. ANY REPRODUCTION IN PART OR AS A WHOLE WITHOUT THE WRITTEN PERMISSION OF **Doric Lenses Inc.** IS PROHIBITED.