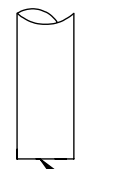
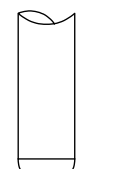
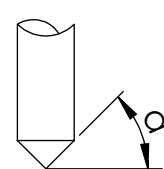
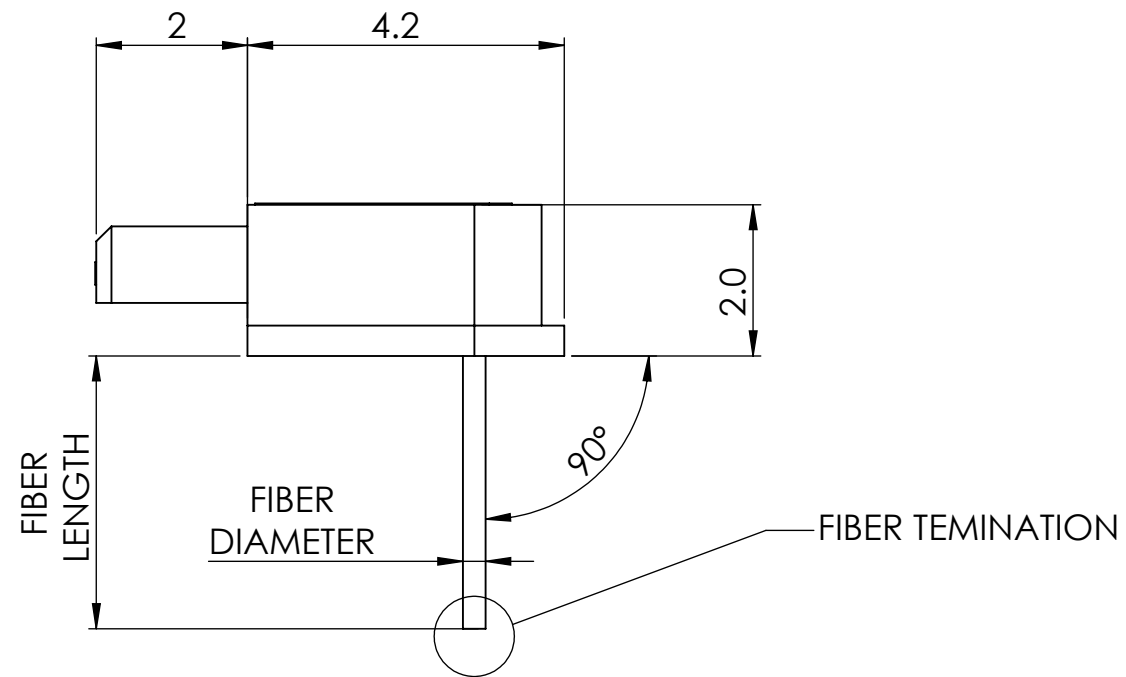


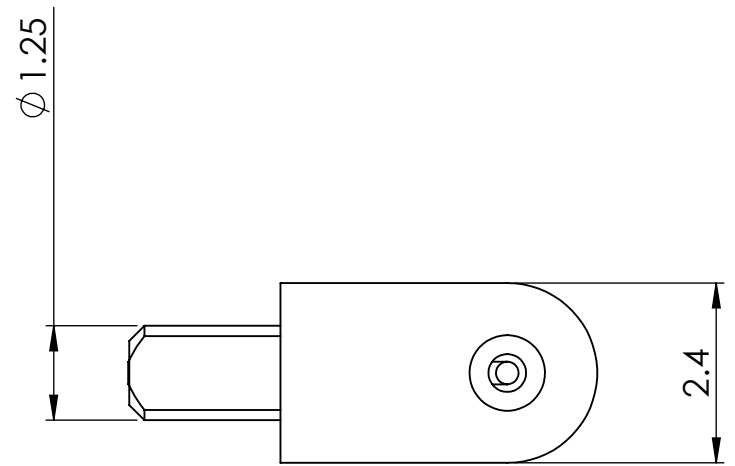
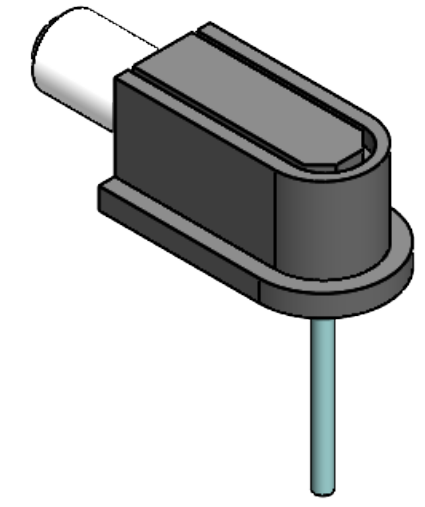
8 7 6 5 4 3 2 1

FLT	DFL	C
Flat tip	Diffuser	Cone
		
Polished 0.3 μm	Diffuser layer	

D  
C  
B  
A




FIBER TEMINATION  
SCALE 20 : 1



Dimensions in mm  
For Information Purposes Only

**PROPRIETARY**  
THE INFORMATION CONTAINED IN THIS DRAWING  
IS THE SOLE PROPERTY OF **Doric Lenses Inc.**..  
ANY REPRODUCTION IN PART OR AS A WHOLE  
WITHOUT THE WRITTEN PERMISSION OF  
**Doric Lenses Inc.** IS PROHIBITED.

DO NOT SCALE DRAWING

	357 rue Franquet, Quebec, QC G1P 4N7, Canada; Tel: 418 877 5600; doriclenses.com;
TITLE:	MFC_LPB90(P-S)
DWG. NO.	B280-xxxx
	10-9-2020

8 7 6 5 4 3 2 1