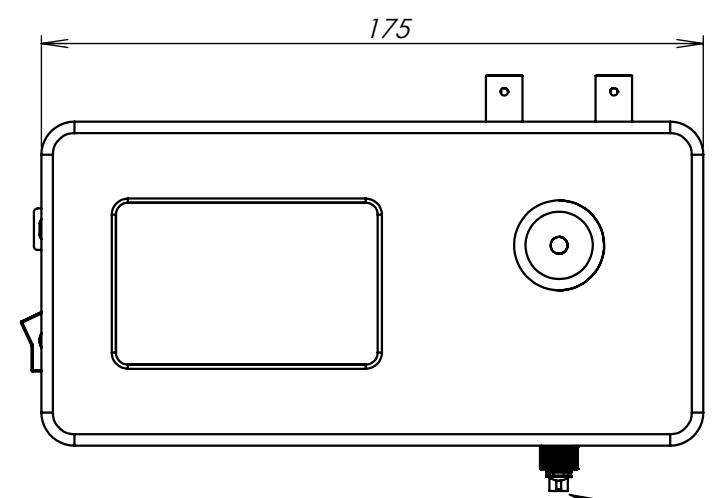
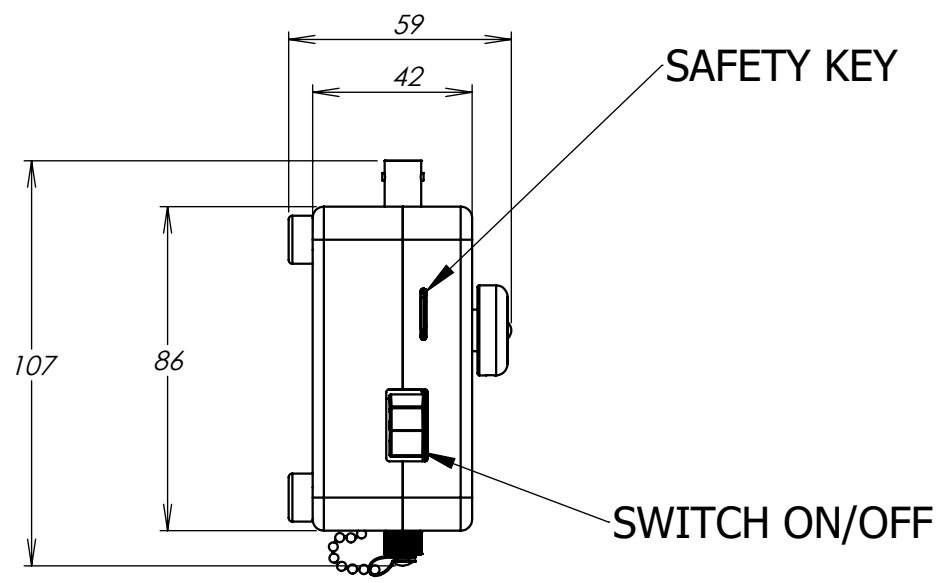
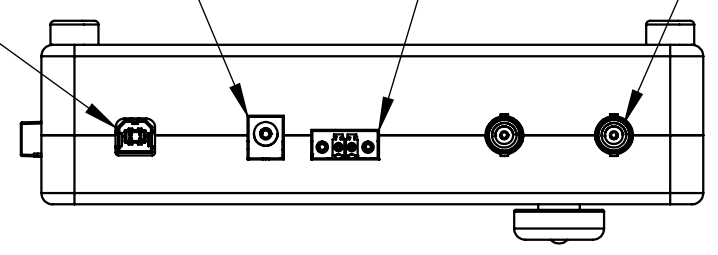


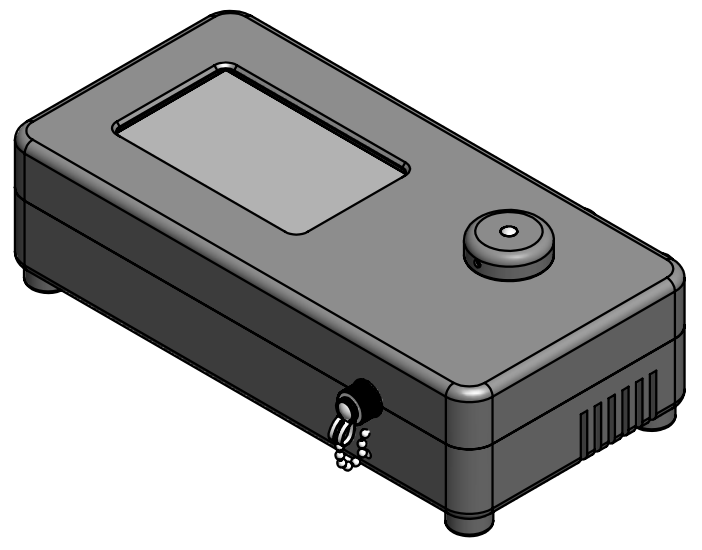
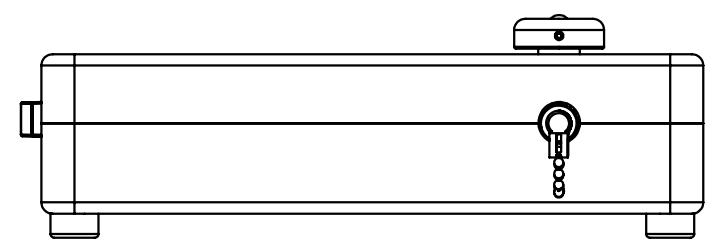
8 7 6 5 4 3 2 1

D
C
B
A

USB TYPE B POWER SUPPLY JACK 2.5MM INTERLOCK BNC CONNECTORS (2X)



LASER OUTPUT FC/APC RECEPTACLE



Dimensions in mm
For Information Purposes Only

PROPRIETARY
THE INFORMATION CONTAINED IN THIS DRAWING
IS THE SOLE PROPERTY OF Doric Lenses Inc..
ANY REPRODUCTION IN PART OR AS A WHOLE
WITHOUT THE WRITTEN PERMISSION OF
Doric Lenses Inc. IS PROHIBITED.

DO NOT SCALE DRAWING

doric

357 rue Franquet, Quebec, QC
G1P 4N7, Canada;
Tel: 418 877 5600;
doriclenses.com;

TITLE:

LEDFLS_1

DWG. NO.

D480-XXXX-001

2020-07-02

8 7 6 5 4 3 2 1

1