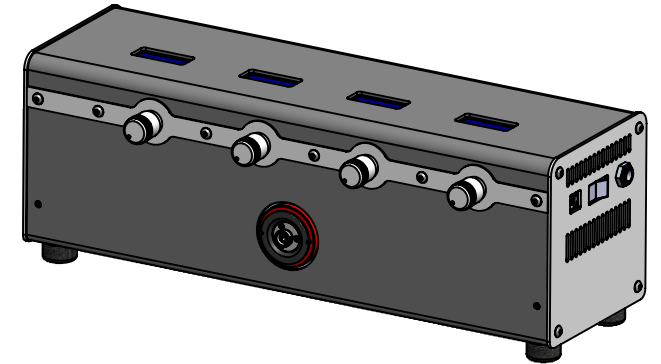
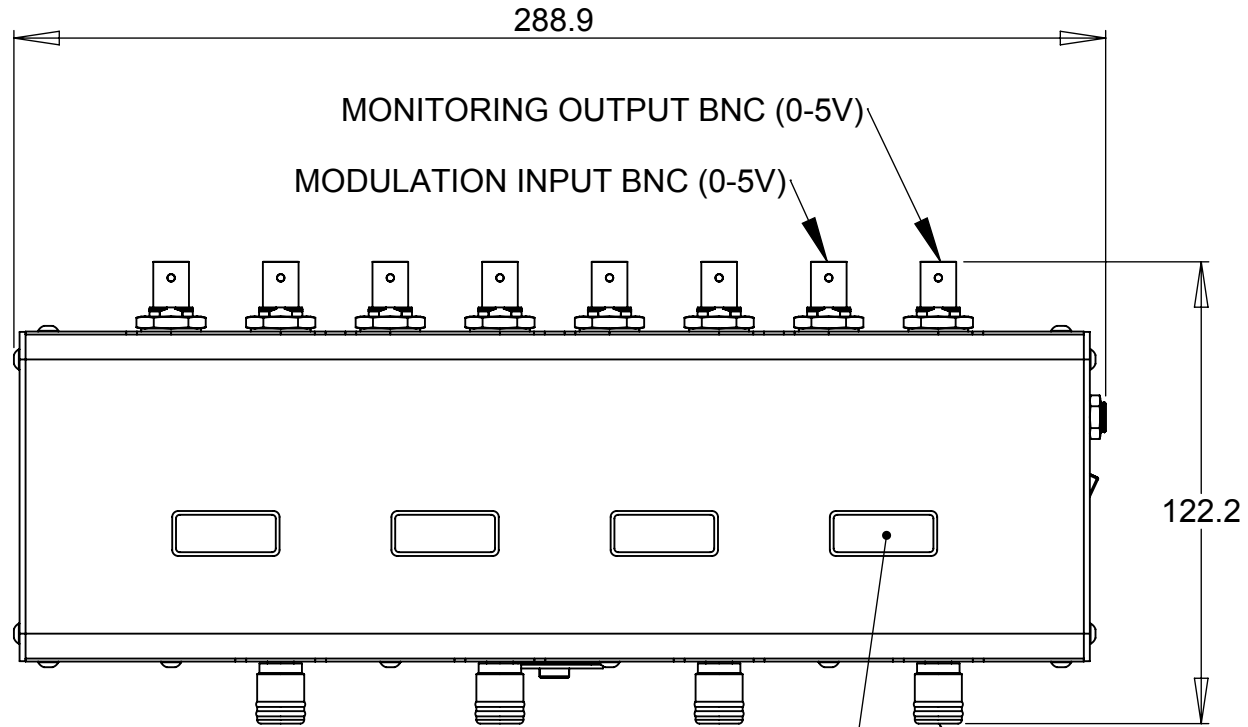
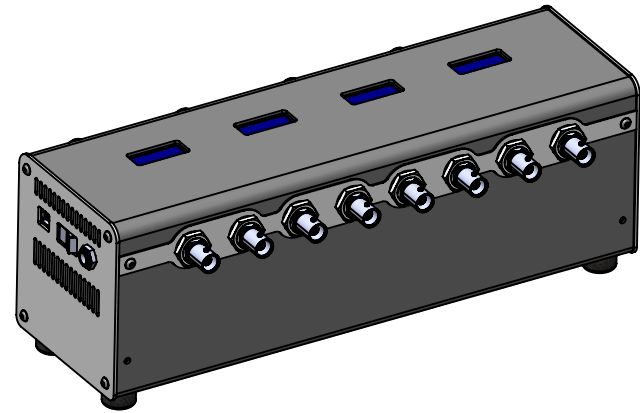


8 7 6 5 4 3 2 1

D

D



C

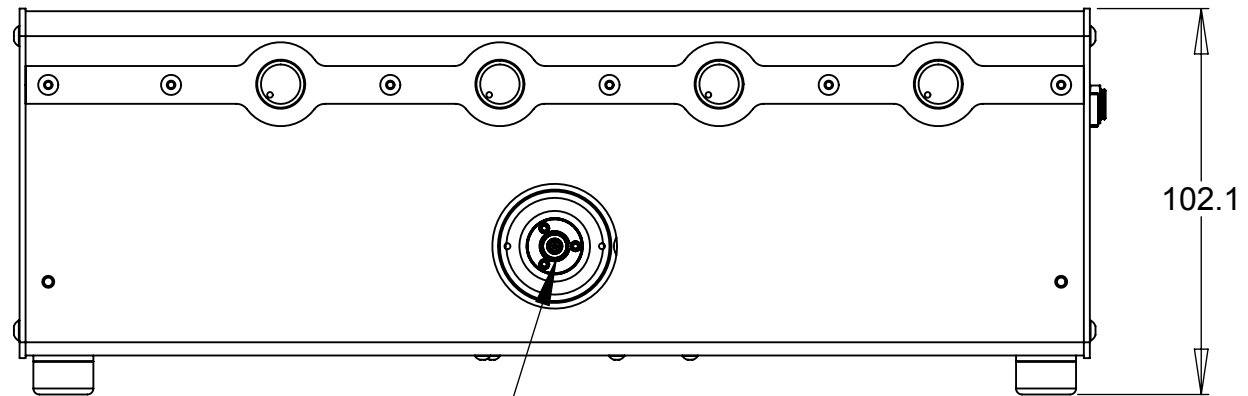
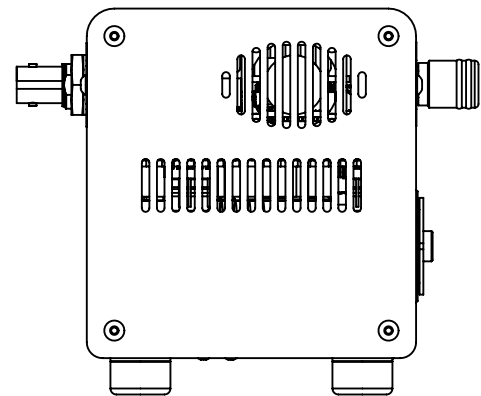
C

DISPLAY CONTROL BUTTON POWER CONNECTOR (12V)

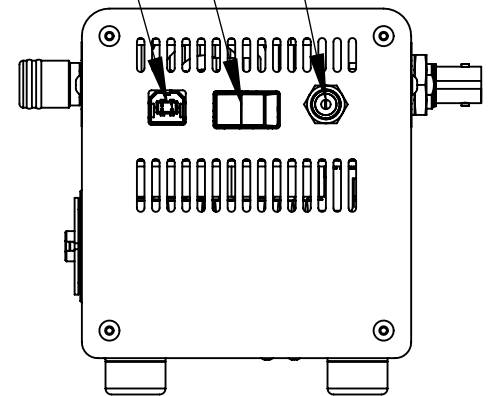
SWITCH ON/OFF
USB TYPE B

B

B



OPTICAL FIBER CONNECTOR



A

A

UNLESS OTHERWISE SPECIFIED:		NAME	DATE	357 rue Franquet, Quebec, QC G1P 4N7, Canada, Tel: 418 877 5600
DIMENSIONS ARE IN MM		DRAWN		
ANGULAR: ± 0.25 deg		CHECKED		TITLE:
ONE PLACE DECIMAL ±0.1		ENG APPR.		<h1>LEDFL_4_FC</h1>
TWO PLACE DECIMAL ±0.05		MFG APPR.		
THREE PLACE DECIMAL ±0.005		Q.A.		SIZE DWG. NO. REV
INTERPRET GEOMETRIC TOLERANCING PER:		Third angle projection:		B _____ 01
MATERIAL				SCALE: 1:2 WEIGHT: SHEET 1 OF 1
FINISH				
DO NOT SCALE DRAWING				

PROPRIETARY AND CONFIDENTIAL
THE INFORMATION CONTAINED IN THIS DRAWING IS THE SOLE PROPERTY OF **Doric Lenses Inc.**. ANY REPRODUCTION IN PART OR AS A WHOLE WITHOUT THE WRITTEN PERMISSION OF **Doric Lenses Inc.** IS PROHIBITED.

8 7 6 5 4 3 2 1