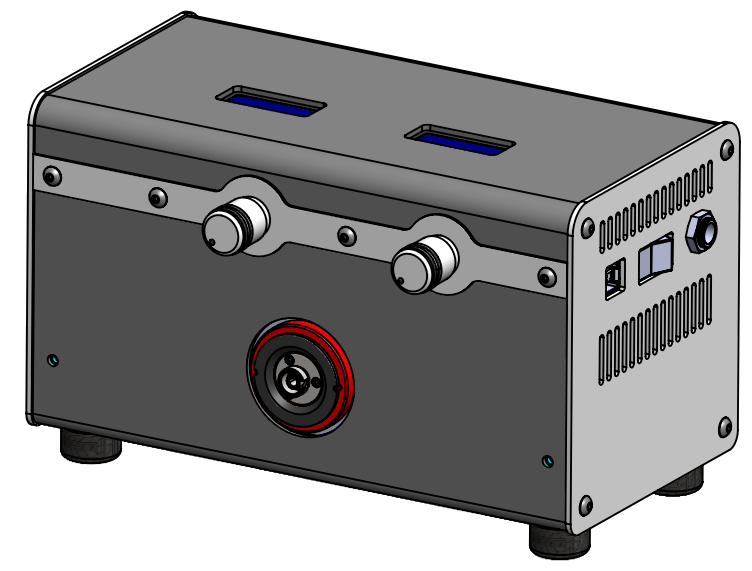
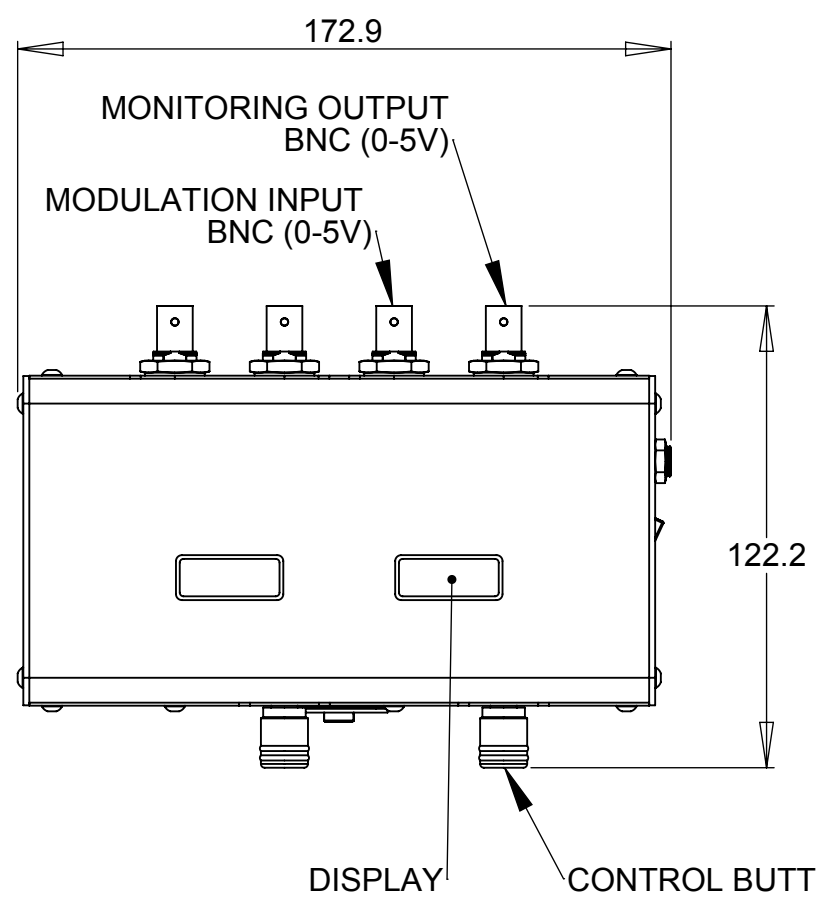
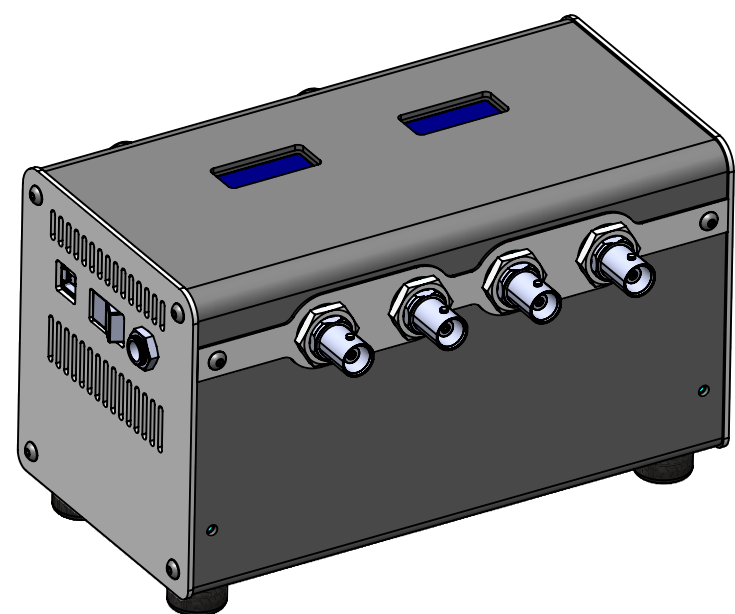
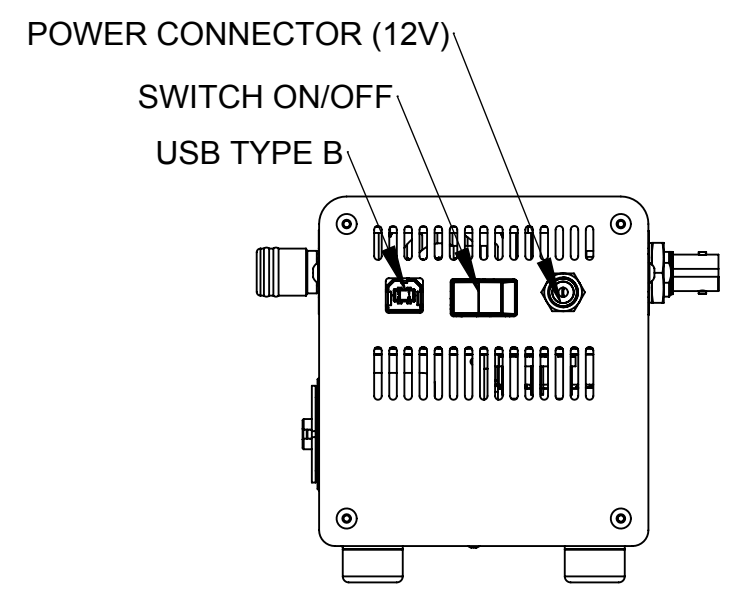
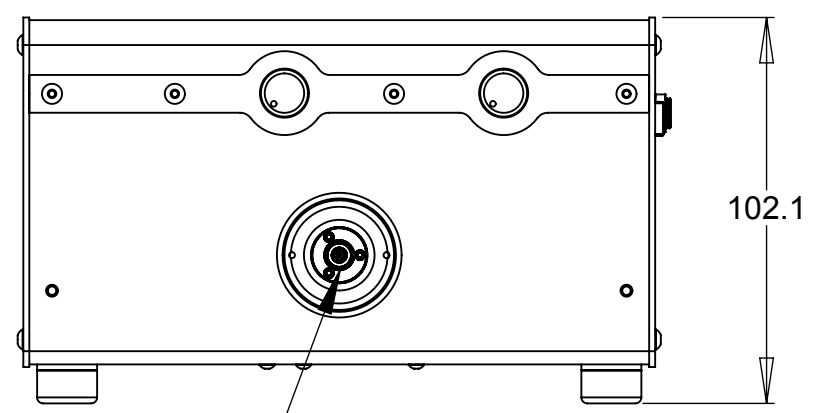
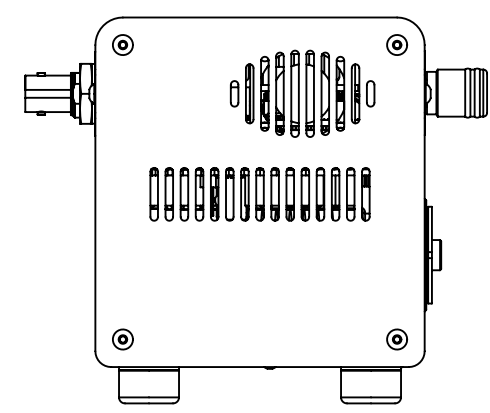


8 7 6 5 4 3 2 1

D
C
B
A



D
C
B
A



OPTICAL FIBER CONNECTOR

PROPRIETARY AND CONFIDENTIAL
 THE INFORMATION CONTAINED IN THIS DRAWING IS THE SOLE PROPERTY OF **Doric Lenses Inc.**. ANY REPRODUCTION IN PART OR AS A WHOLE WITHOUT THE WRITTEN PERMISSION OF **Doric Lenses Inc.** IS PROHIBITED.

UNLESS OTHERWISE SPECIFIED:		NAME	DATE	
DIMENSIONS ARE IN MM		DRAWN		
ANGULAR: ± 0.25 deg		CHECKED		TITLE: <h1>LEDFL_2_FC</h1>
ONE PLACE DECIMAL ±0.1		ENG APPR.		
TWO PLACE DECIMAL ±0.05		MFG APPR.		
THREE PLACE DECIMAL ±0.005		Q.A.		SIZE B DWG. NO. _____ REV 01
INTERPRET GEOMETRIC TOLERANCING PER:		Third angle projection:		
MATERIAL				SCALE: 1:2
FINISH				WEIGHT:
DO NOT SCALE DRAWING				SHEET 1 OF 1

8 7 6 5 4 3 2 1