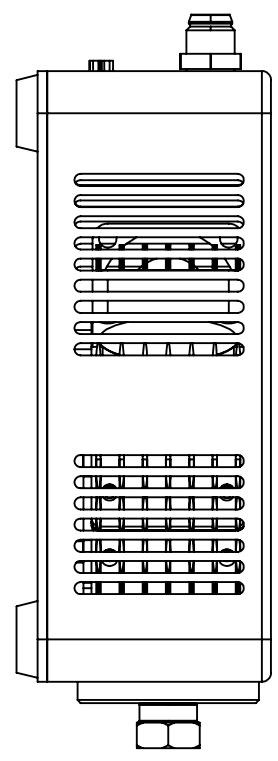
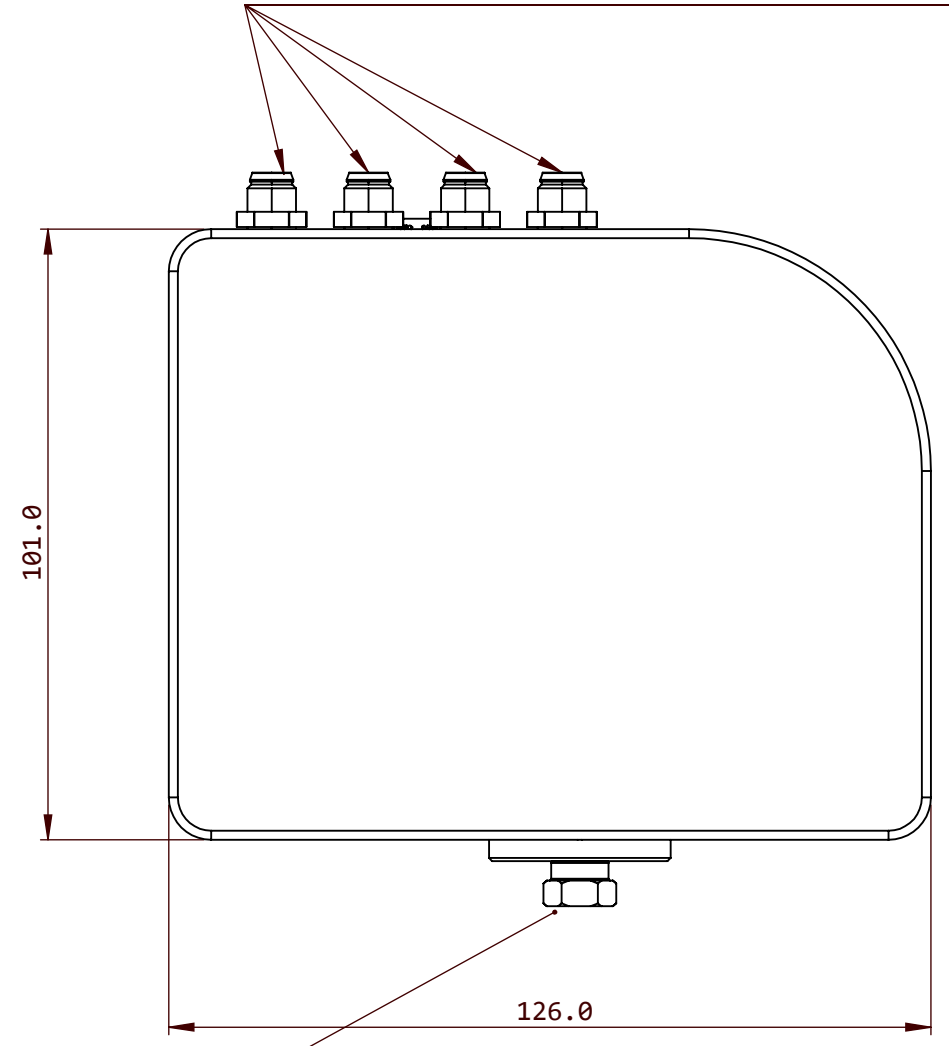


8 7 6 5 4 3 2 1

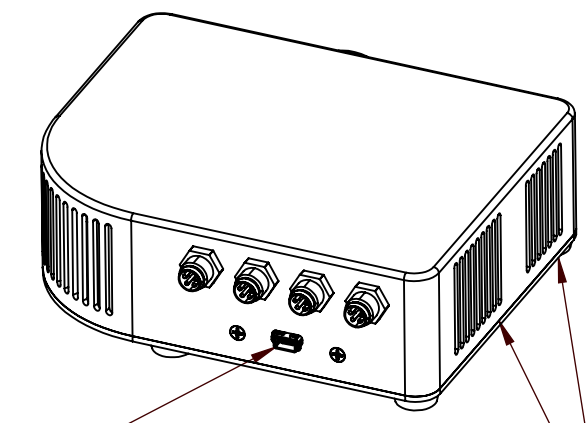
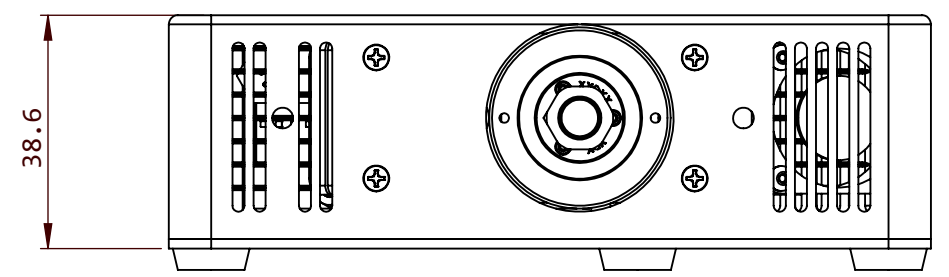
D  
C  
B  
A



### ELECTRICAL CONNECTORS M8

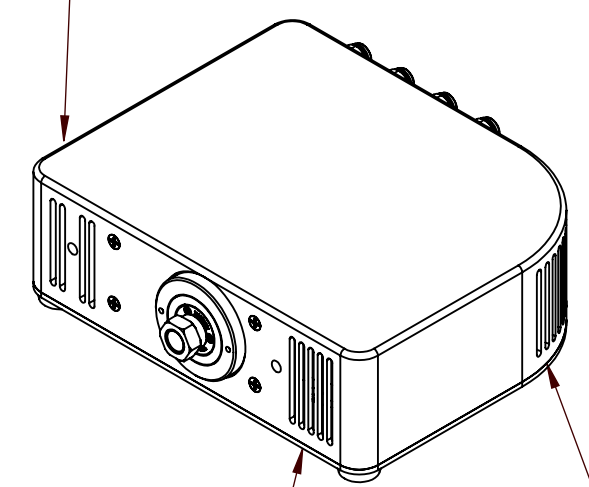


### CONNECTOR FC



### USB PORT

### AIR EXHAUSTS



### AIR INTAKES

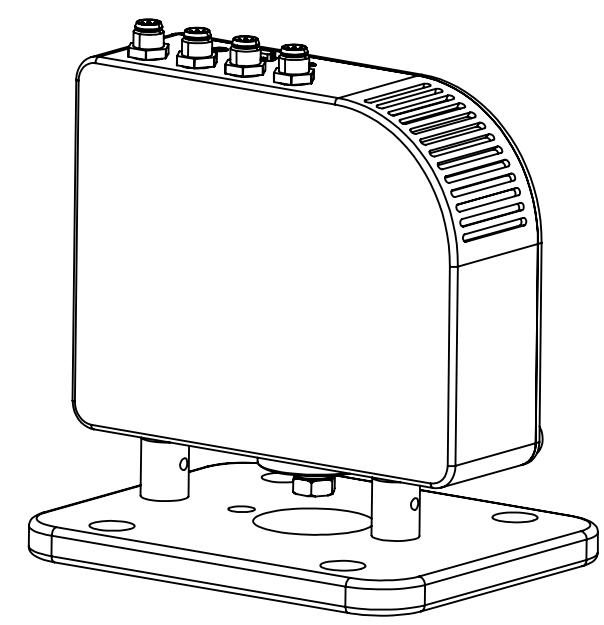
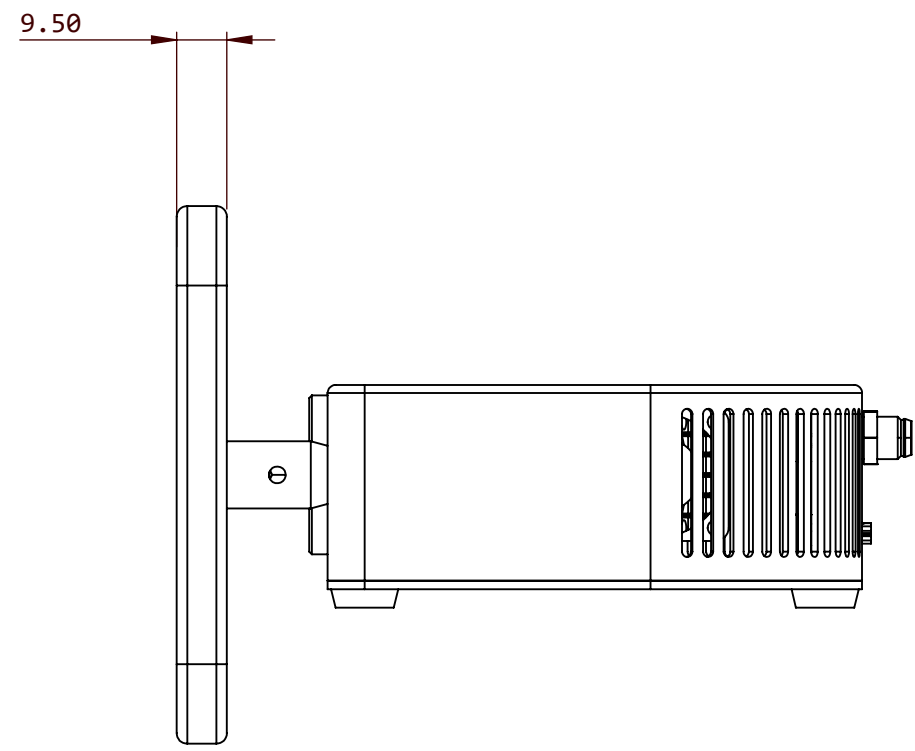
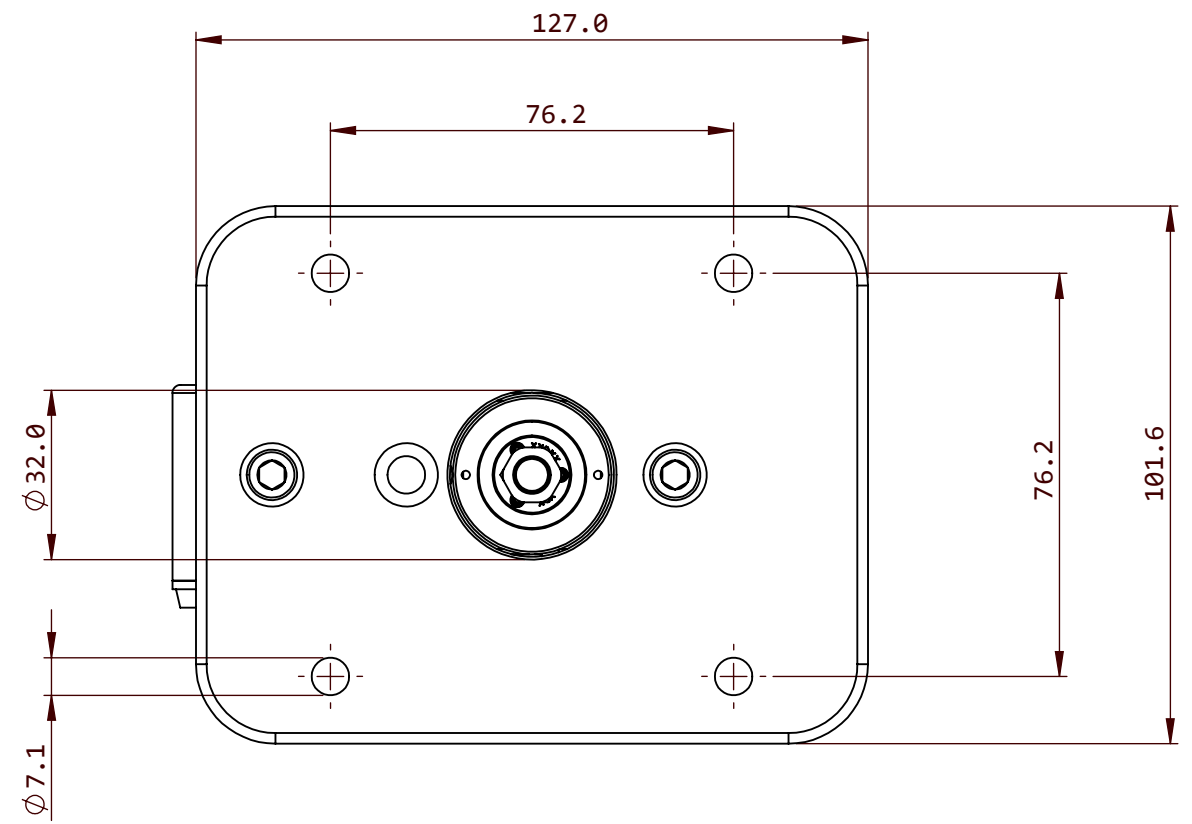
Dimensions in mm  
For Information Purposes Only

PROPRIETARY  
THE INFORMATION CONTAINED IN THIS DRAWING  
IS THE SOLE PROPERTY OF Doric Lenses Inc..  
ANY REPRODUCTION IN PART OR AS A WHOLE  
WITHOUT THE WRITTEN PERMISSION OF  
Doric Lenses Inc. IS PROHIBITED.

DO NOT SCALE DRAWING

		357 rue Franquet, Quebec, QC G1P 4N7, Canada; Tel: 418 877 5600; doriclenses.com;	
TITLE:		LEDC4_w1/w2/w3/w4	
DWG. NO.		D420-3401-000	
		29-3-2019	

8 7 6 5 4 3 2 1




**LEDC4 WITH BASEPLATE**

Dimensions in mm  
For Information Purposes Only

PROPRIETARY  
THE INFORMATION CONTAINED IN THIS DRAWING  
IS THE SOLE PROPERTY OF Doric Lenses Inc..  
ANY REPRODUCTION IN PART OR AS A WHOLE  
WITHOUT THE WRITTEN PERMISSION OF  
Doric Lenses Inc. IS PROHIBITED.

DO NOT SCALE DRAWING

	357 rue Franquet, Quebec, QC G1P 4N7, Canada; Tel: 418 877 5600; doriclenses.com;
	TITLE: <b>LEDC4_w1/w2/w3/w4</b>
DWG. NO. <b>D420-3401-000</b>	29-3-2019