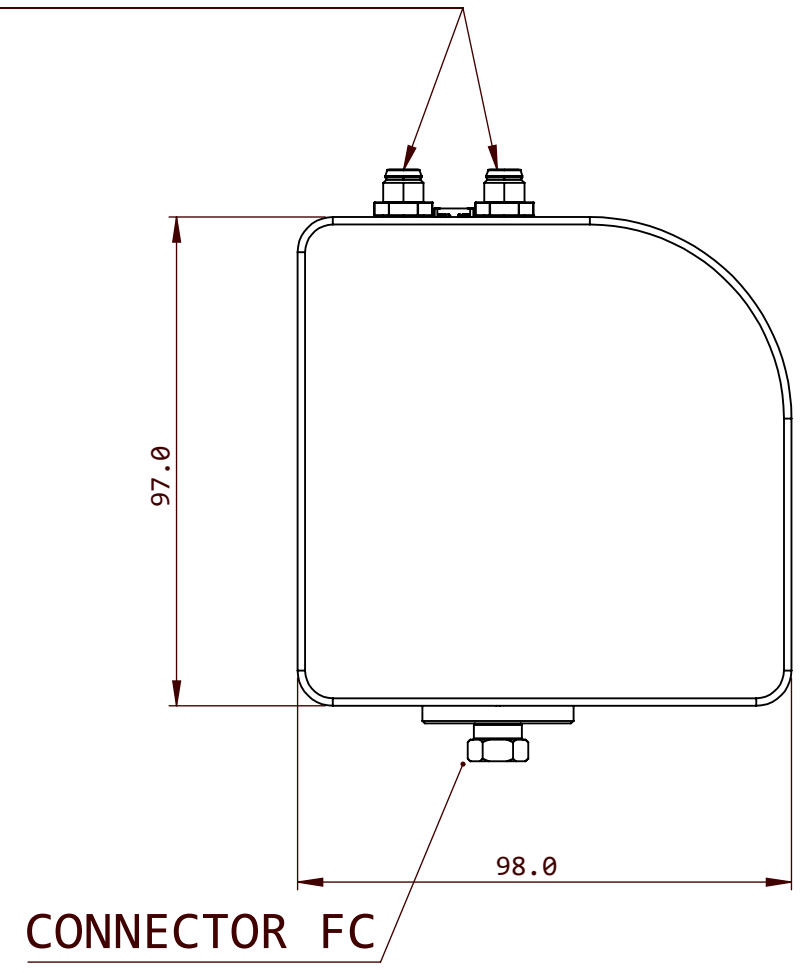
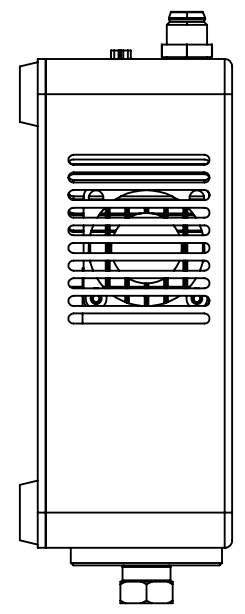


8 7 6 5 4 3 2 1

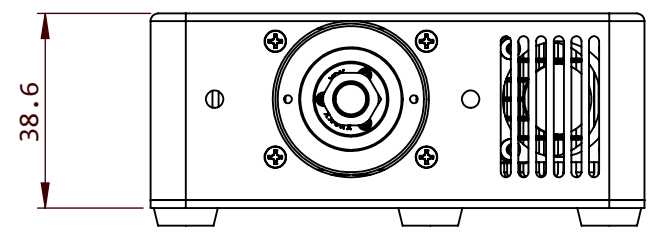
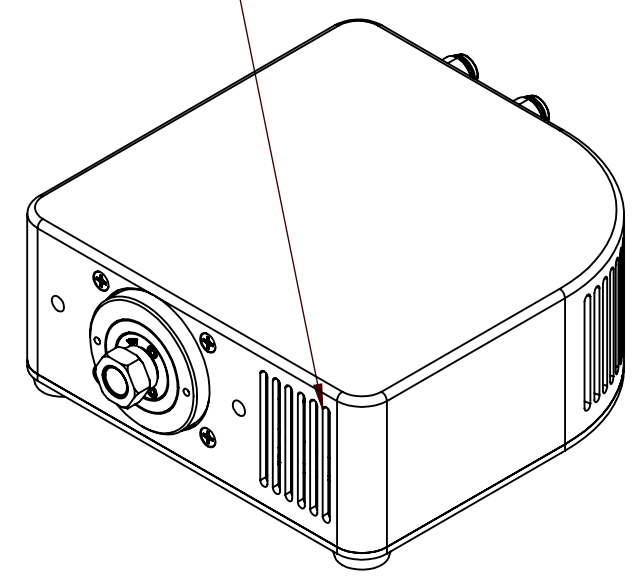
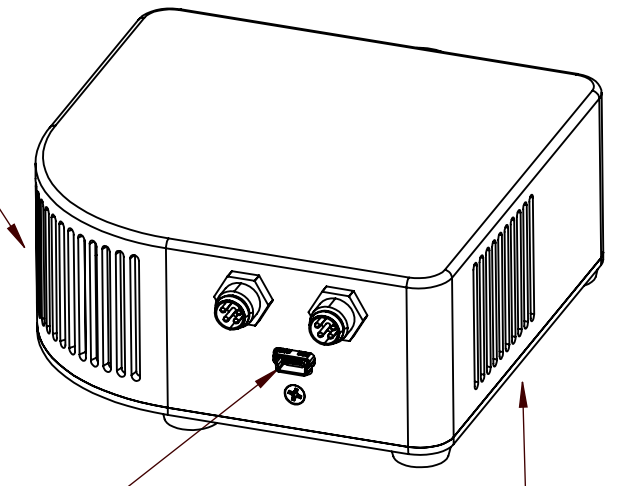
**ELECTRICAL CONNECTORS M8**



**AIR EXHAUST**

**USB PORT**

**AIR INTAKES**



Dimensions in mm  
For Information Purposes Only

PROPRIETARY  
THE INFORMATION CONTAINED IN THIS DRAWING  
IS THE SOLE PROPERTY OF Doric Lenses Inc..  
ANY REPRODUCTION IN PART OR AS A WHOLE  
WITHOUT THE WRITTEN PERMISSION OF  
Doric Lenses Inc. IS PROHIBITED.

DO NOT SCALE DRAWING



357 rue Franquet, Quebec, QC  
G1P 4N7, Canada;  
Tel: 418 877 5600;  
doriclenses.com;

TITLE:

**LEDC2\_w1/w2**

DWG. NO.

**D420-3201-000**

21-3-2019

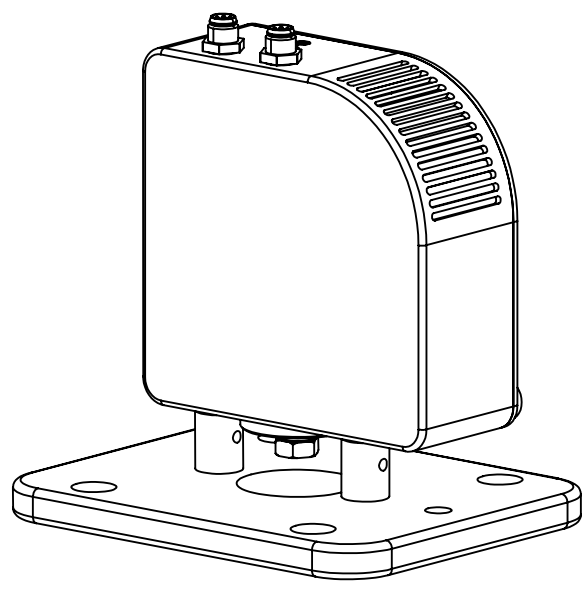
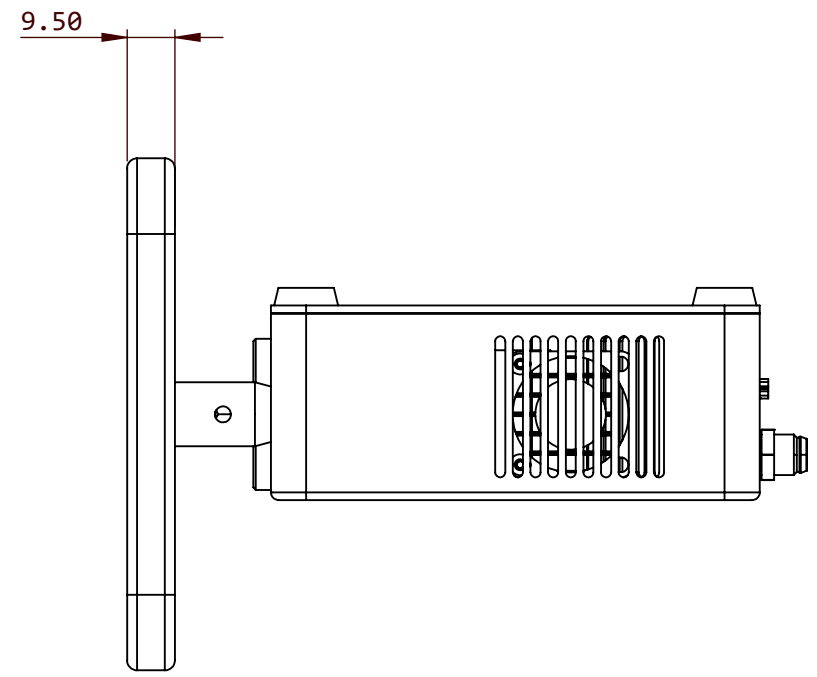
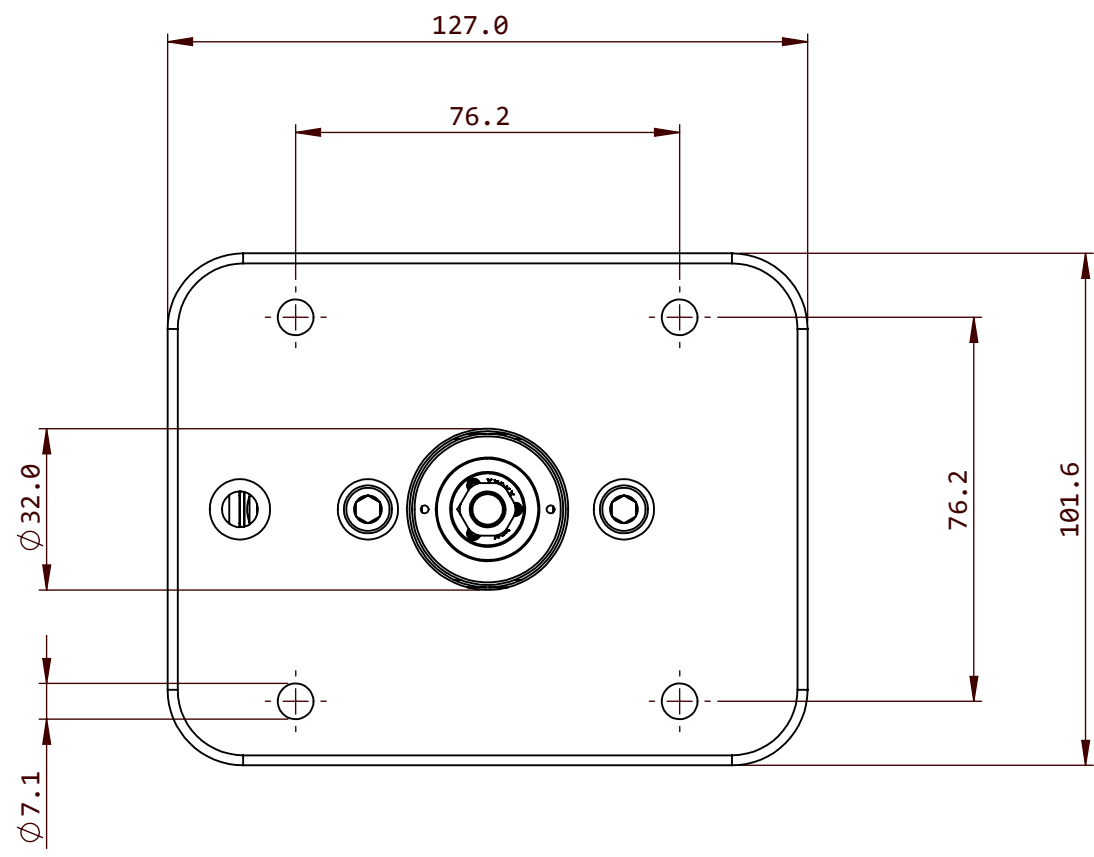
8 7 6 5 4 3 2 1

D  
C  
B  
A

D  
C  
B  
A

8 7 6 5 4 3 2 1

D  
C  
B  
A



**LEDC2 WITH BASEPLATE**

Dimensions in mm  
For Information Purposes Only

PROPRIETARY  
THE INFORMATION CONTAINED IN THIS DRAWING  
IS THE SOLE PROPERTY OF Doric Lenses Inc..  
ANY REPRODUCTION IN PART OR AS A WHOLE  
WITHOUT THE WRITTEN PERMISSION OF  
Doric Lenses Inc. IS PROHIBITED.

DO NOT SCALE DRAWING

	357 rue Franquet, Quebec, QC G1P 4N7, Canada; Tel: 418 877 5600; doriclenses.com;
TITLE:	LEDC2_w1/w2
DWG. NO.	D420-3201-000
	21-3-2019

8 7 6 5 4 3 2 1

D  
C  
B  
A