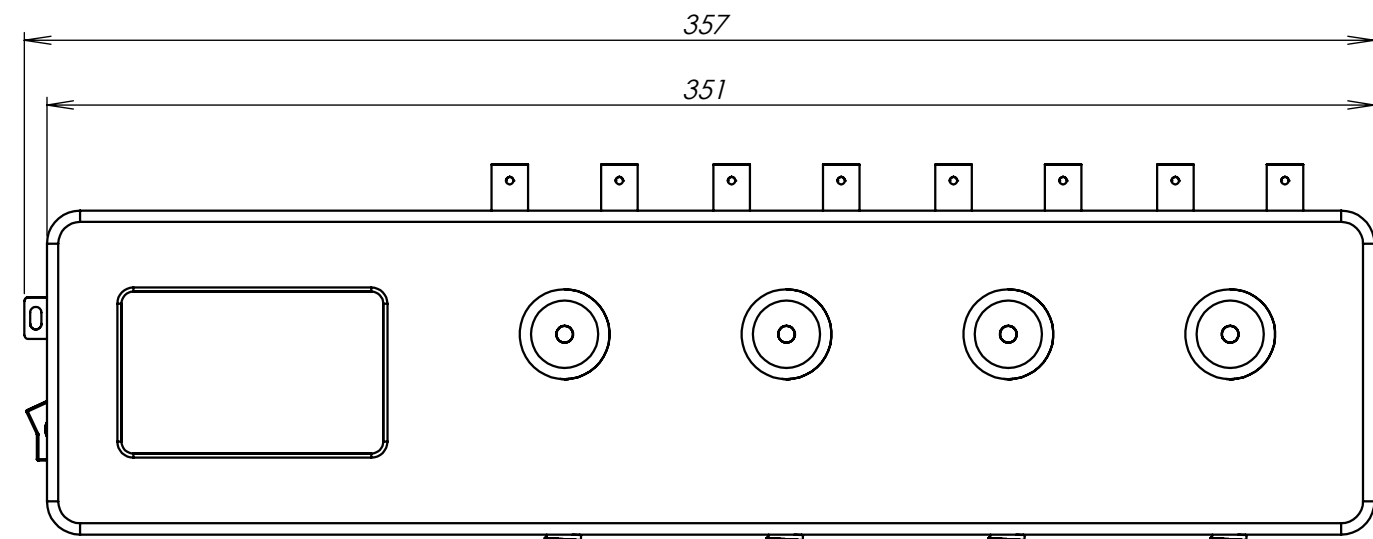
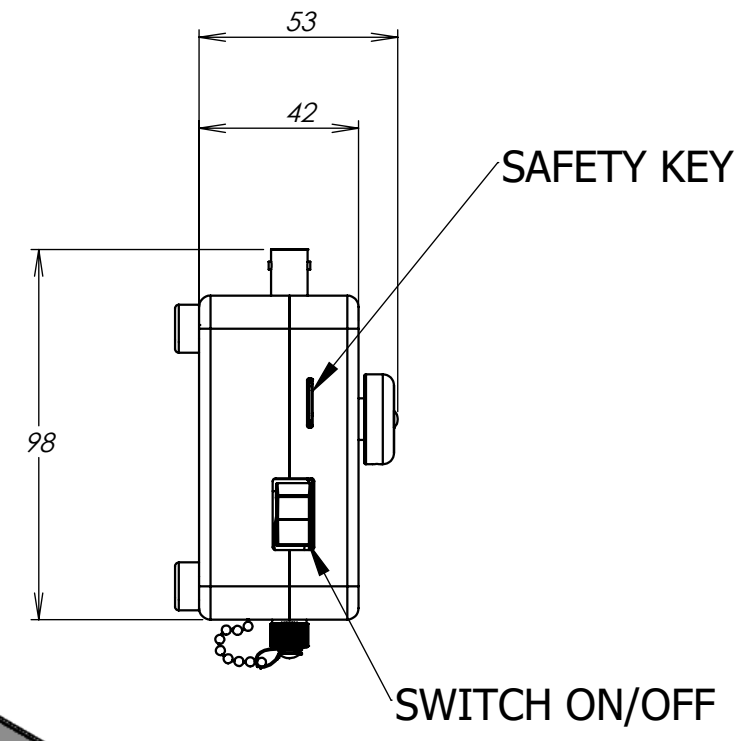
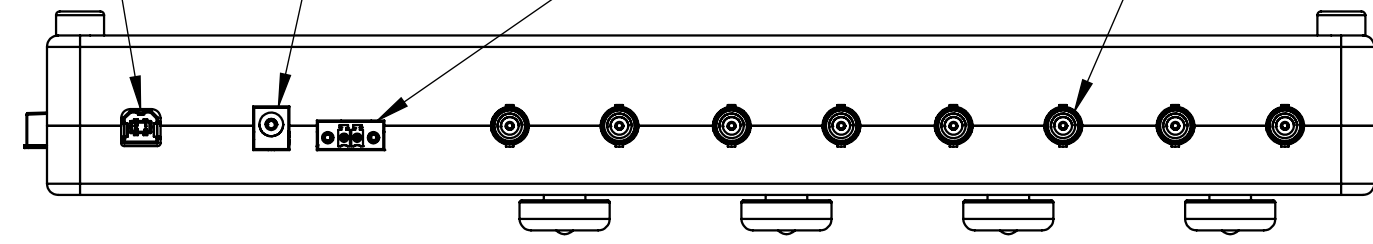


8 7 6 5 4 3 2 1

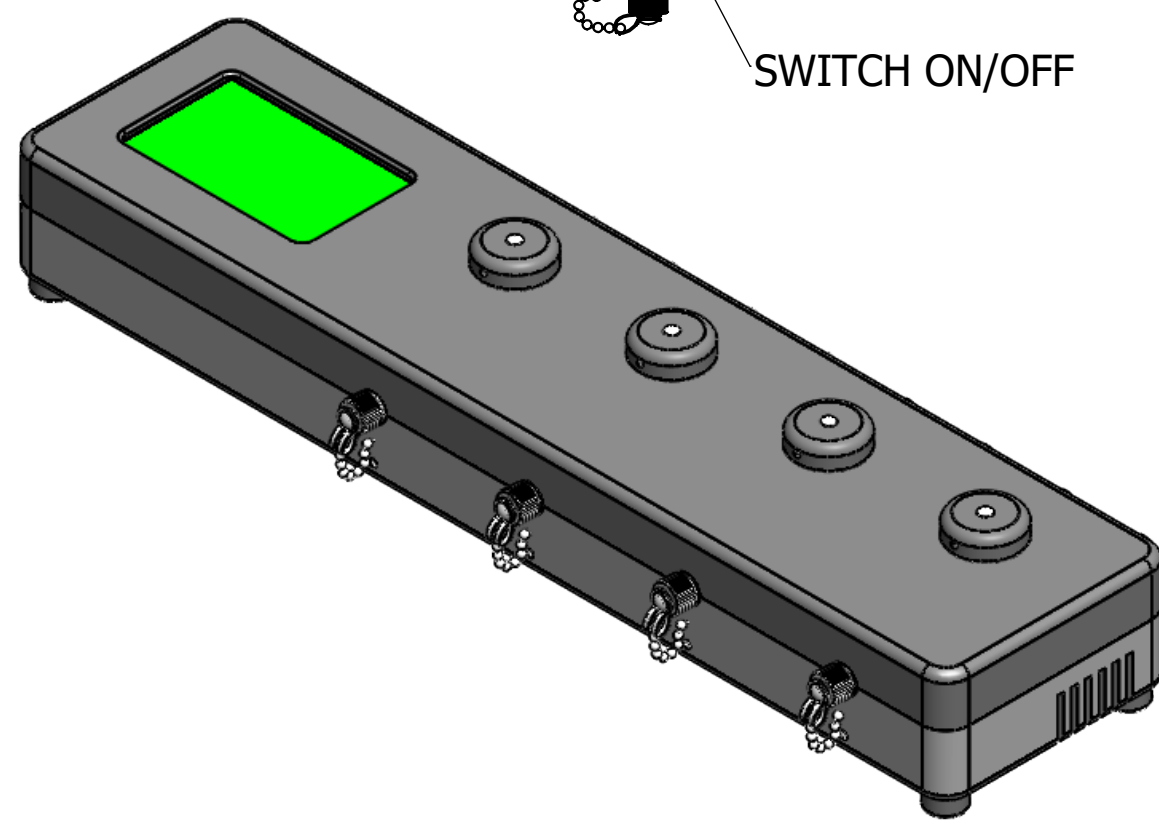
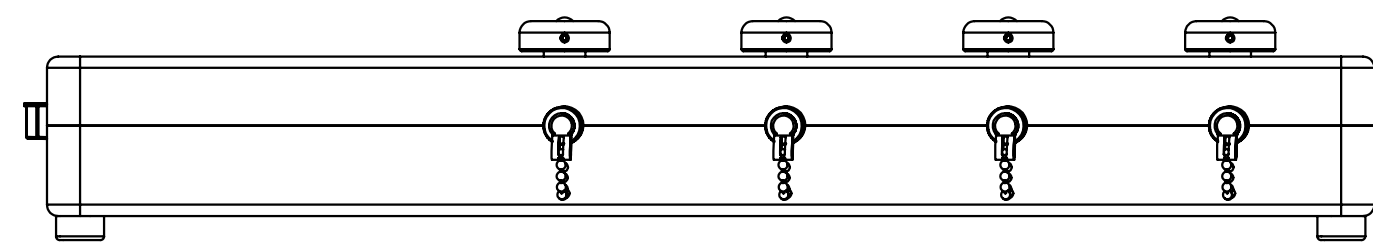
D  
C  
B  
A

D  
C  
B  
A

USB TYPE B  
POWER SUPPLY JACK 2.5MM  
INTERLOCK  
BNC CONNECTORS (8X)



LASER OUTPUT  
FC/APC RECEPTACLE (4X)



Dimensions in mm  
For Information Purposes Only

PROPRIETARY  
THE INFORMATION CONTAINED IN THIS DRAWING  
IS THE SOLE PROPERTY OF Doric Lenses Inc..  
ANY REPRODUCTION IN PART OR AS A WHOLE  
WITHOUT THE WRITTEN PERMISSION OF  
Doric Lenses Inc. IS PROHIBITED.

DO NOT SCALE DRAWING



357 rue Franquet, Quebec, QC  
G1P 4N7, Canada;  
Tel: 418 877 5600;  
doriclenses.com;

TITLE:

LDFLS\_4

DWG. NO.

D470-XXXX-003

2019-02-20

8 7 6 5 4 3 2 1

1