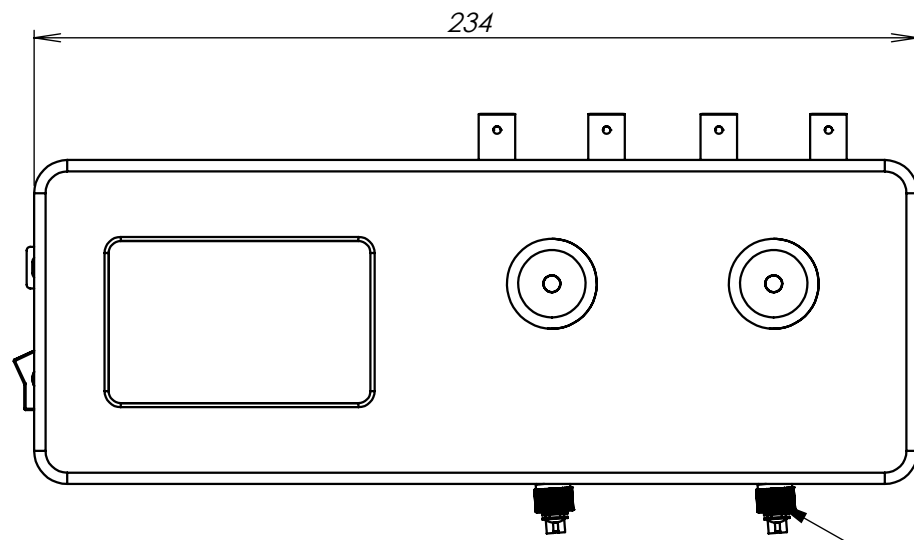
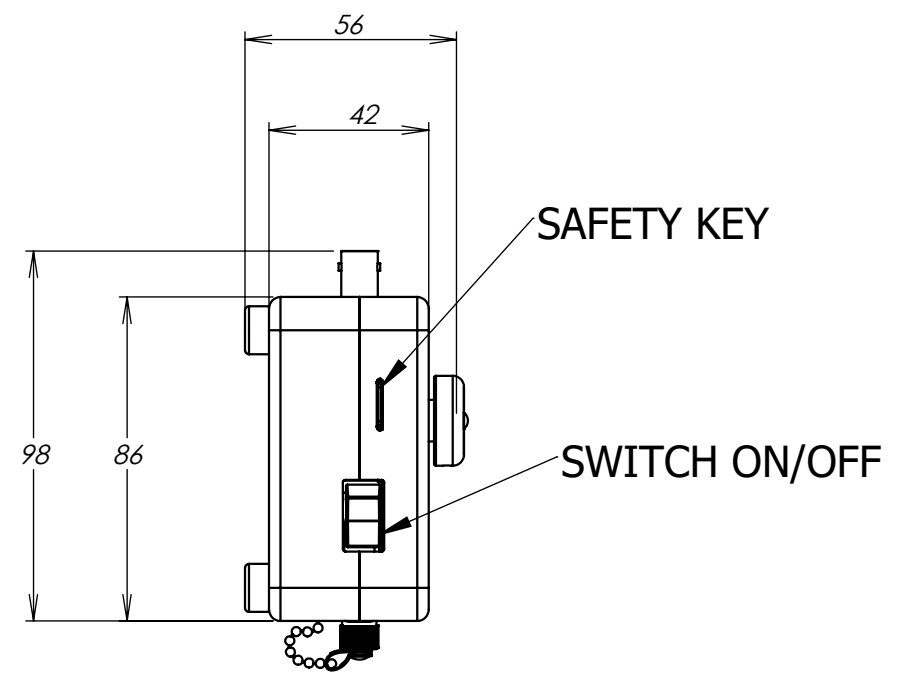
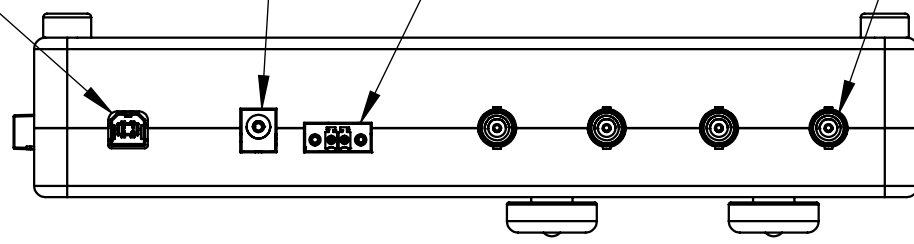


8 7 6 5 4 3 2 1

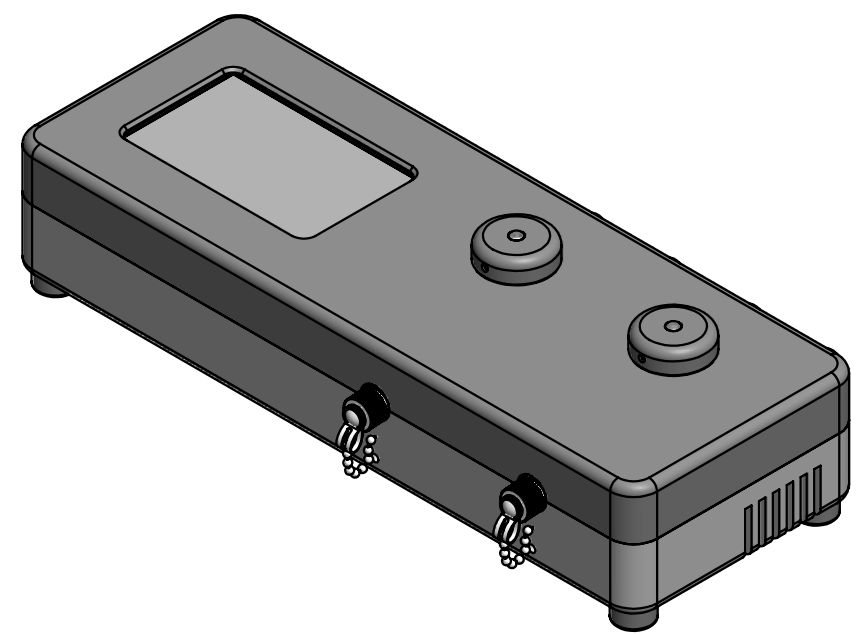
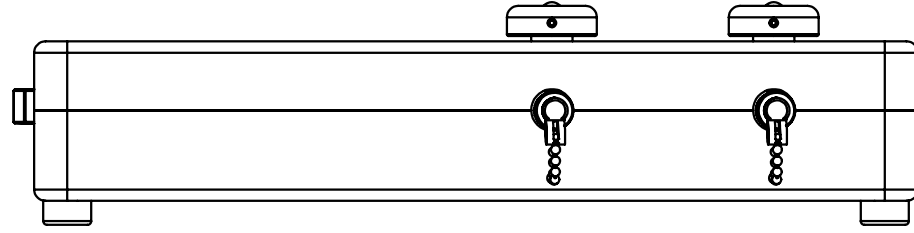
D
C
B
A

D
C
B
A

USB TYPE B POWER SUPPLY JACK 2.5MM INTERLOCK BNC CONNECTORS (4X)



LASER OUTPUT FC/APC RECEPTACLE (2X)



Dimensions in mm
For Information Purposes Only

PROPRIETARY
THE INFORMATION CONTAINED IN THIS DRAWING
IS THE SOLE PROPERTY OF Doric Lenses Inc..
ANY REPRODUCTION IN PART OR AS A WHOLE
WITHOUT THE WRITTEN PERMISSION OF
Doric Lenses Inc. IS PROHIBITED.

DO NOT SCALE DRAWING

doric

357 rue Franquet, Quebec, QC
G1P 4N7, Canada;
Tel: 418 877 5600;
doriclenses.com;

TITLE: LDFLS_2

DWG. NO. D470-XXXX-002

2020-06-30

8 7 6 5 4 3 2 1

1