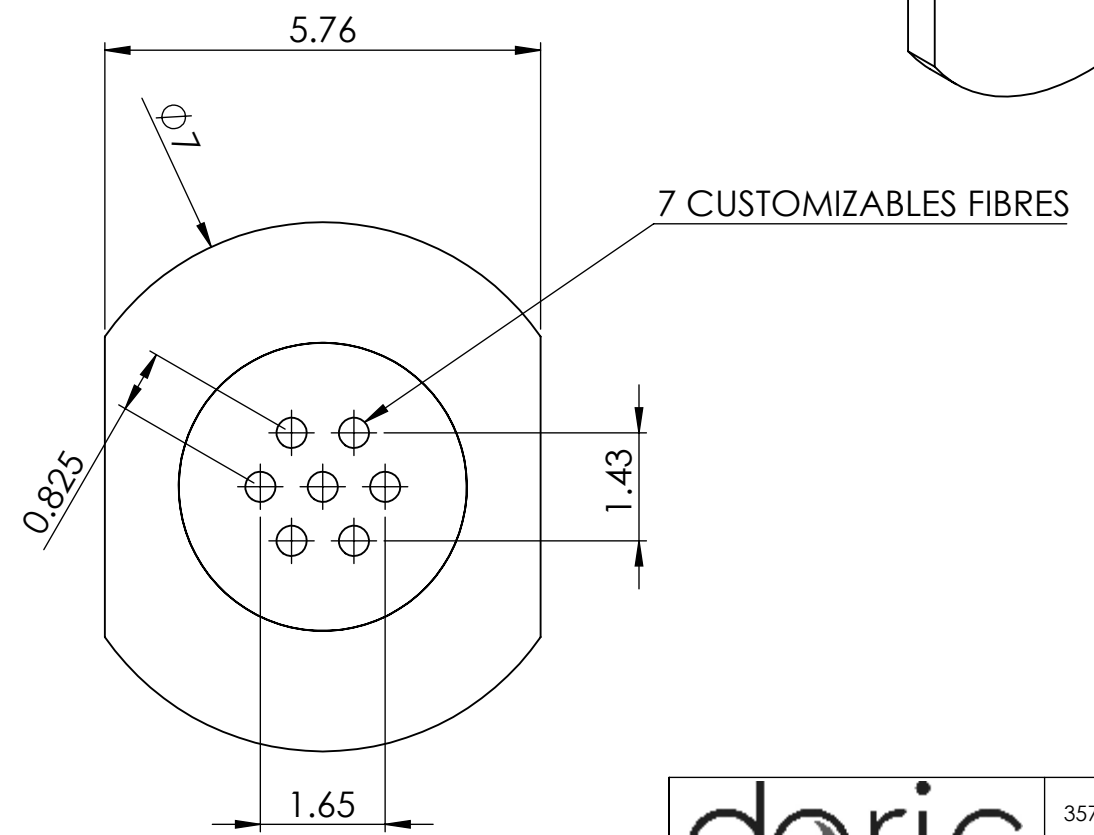
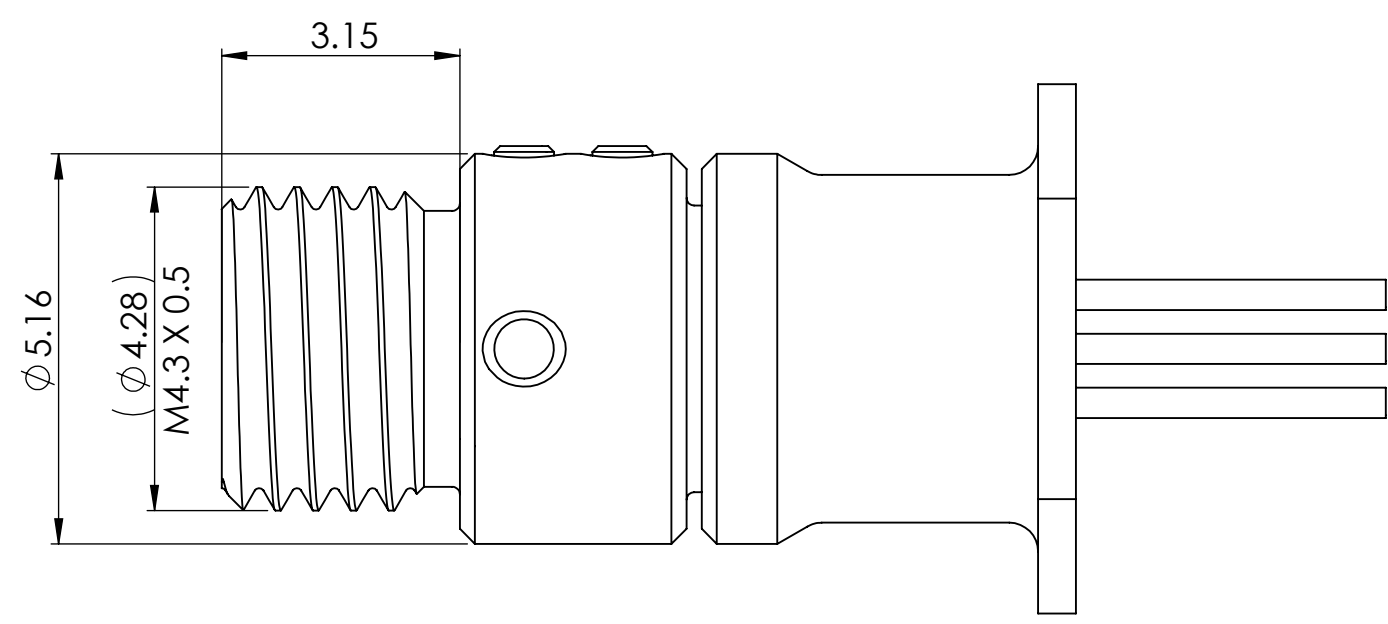
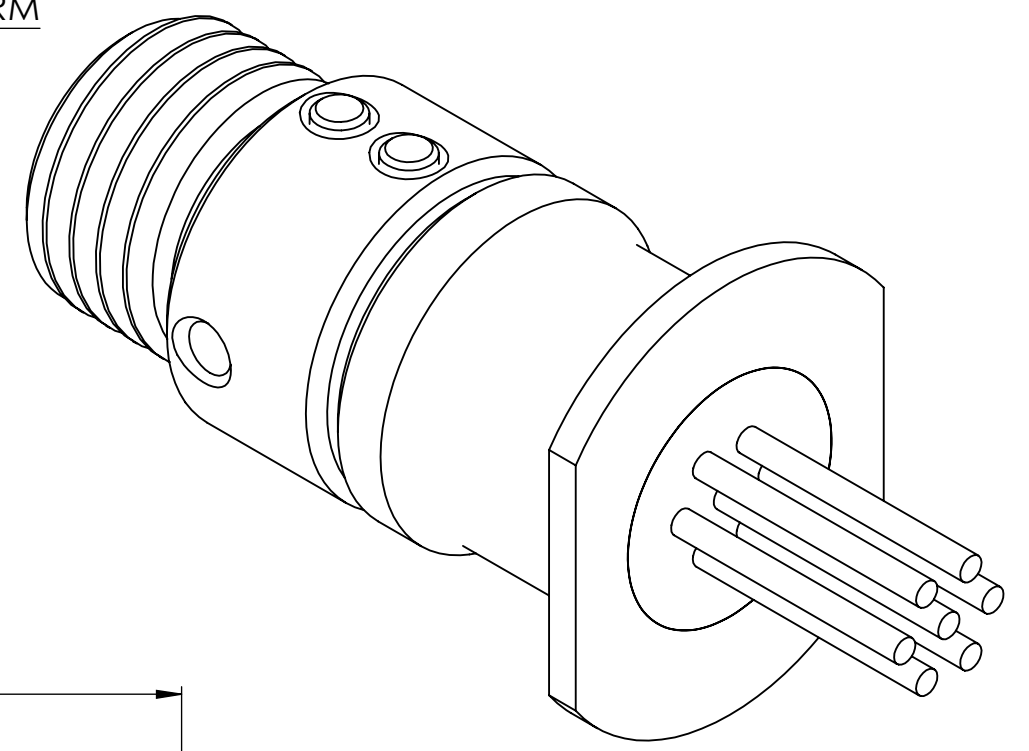
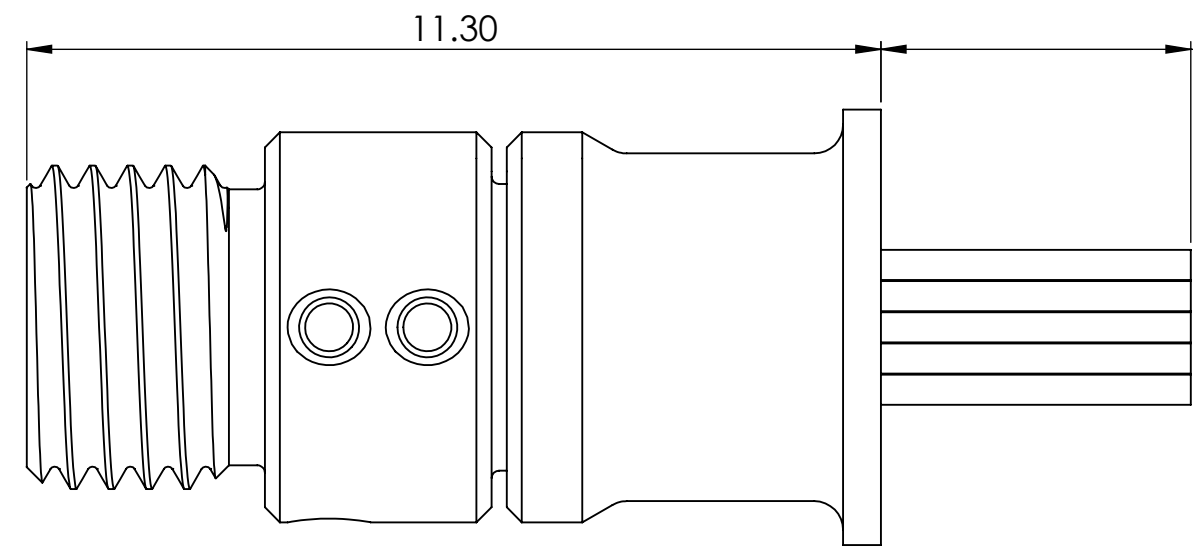


8 7 6 5 4 3 2 1

- FOR REPRESENTATION ONLY
- SEE CONFIGURATION FORM



7 CUSTOMIZABLES FIBRES

D
C
B
A

D
C
B
A

8 7 6 5 4 3 2 1

Dimensions in mm
For Information Purposes Only

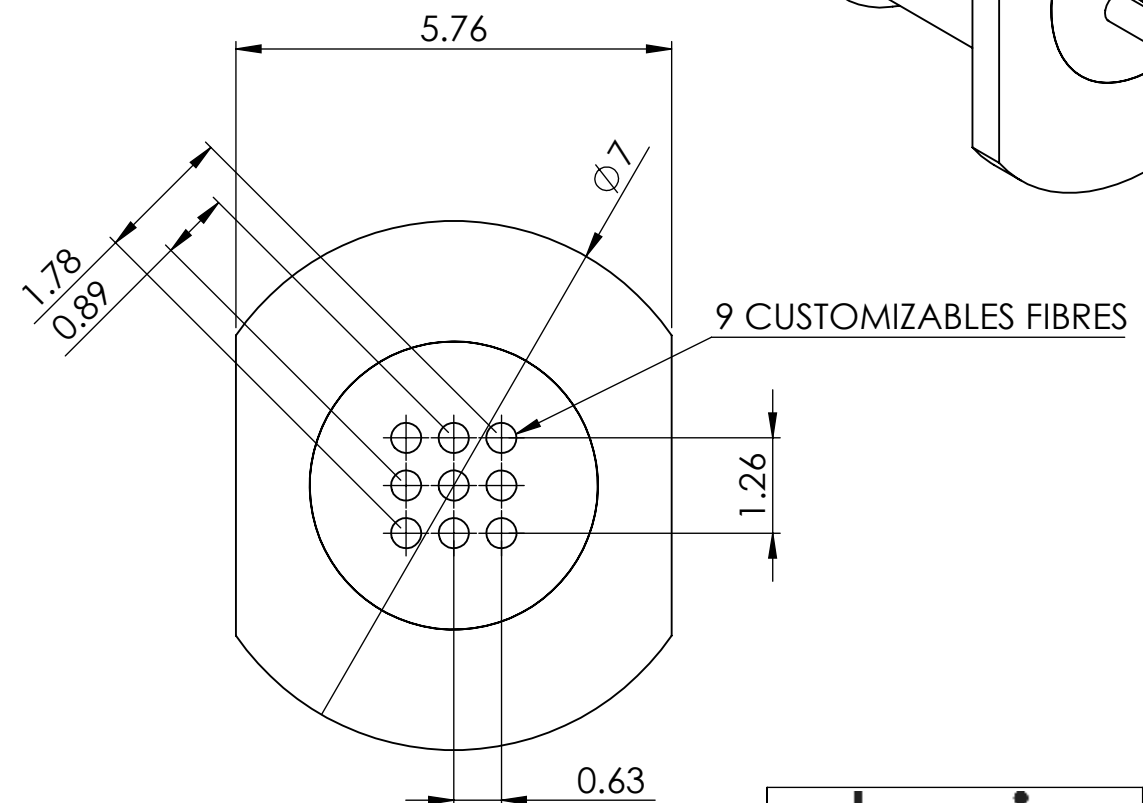
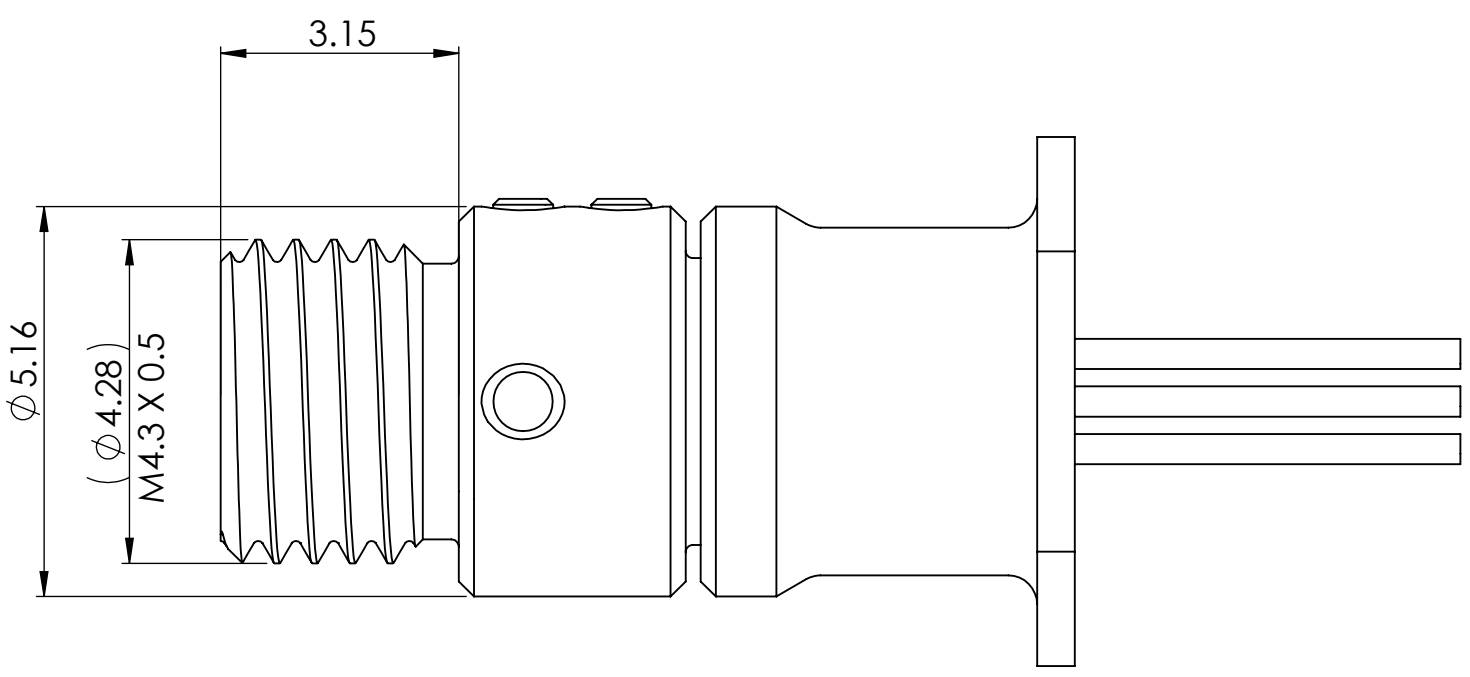
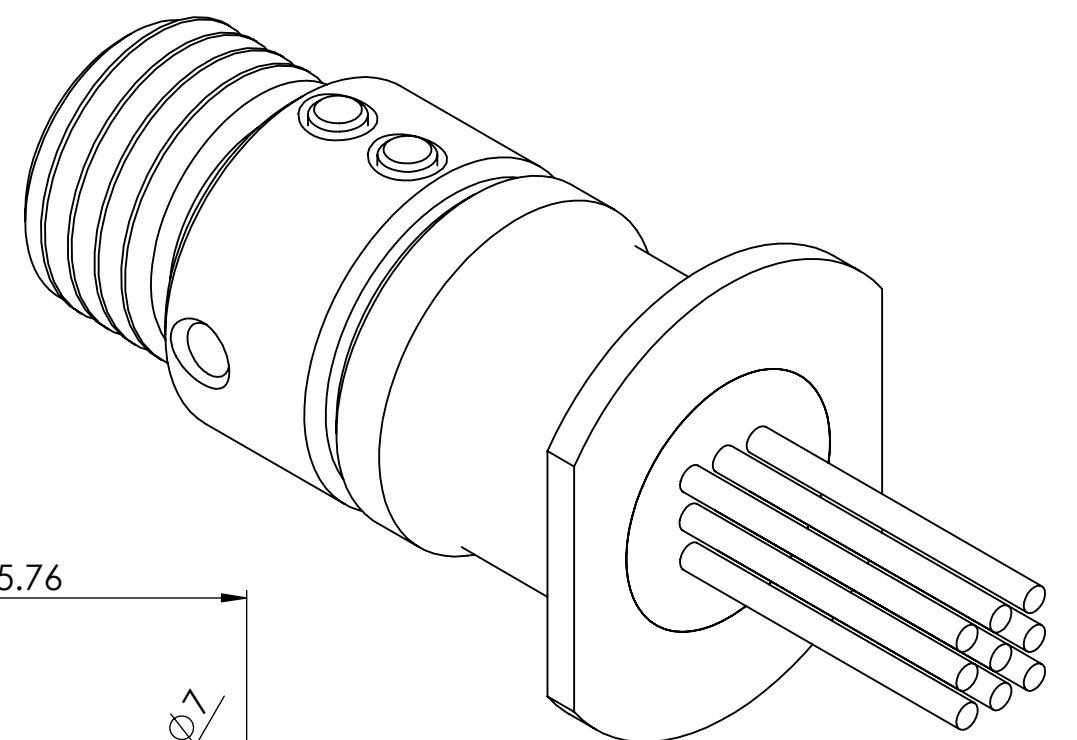
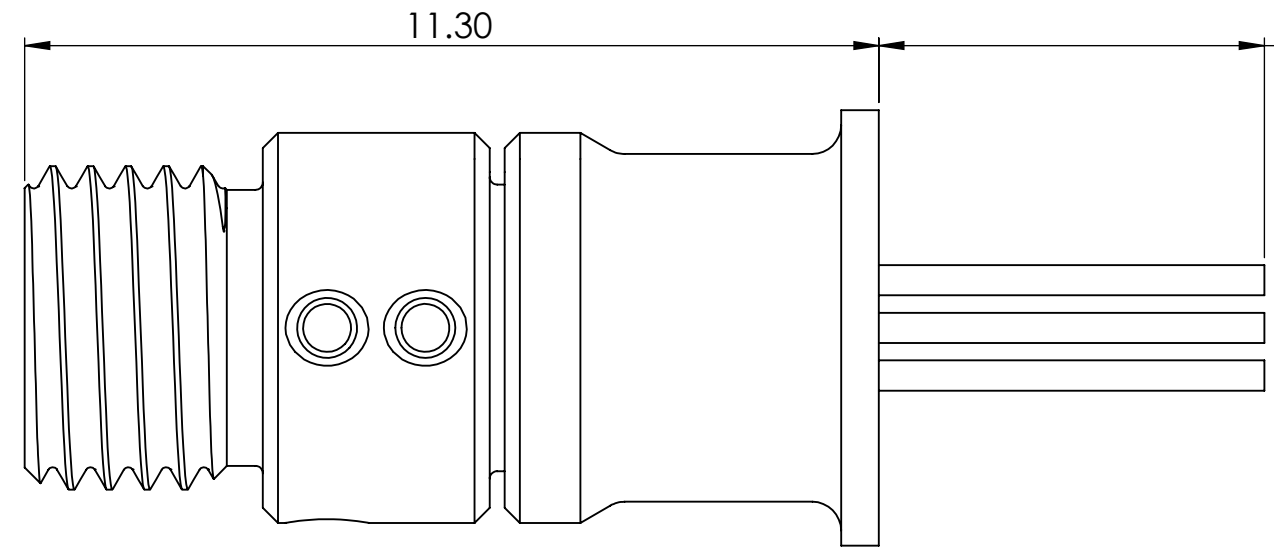
PROPRIETARY
THE INFORMATION CONTAINED IN THIS DRAWING
IS THE SOLE PROPERTY OF **Doric Lenses Inc.**..
ANY REPRODUCTION IN PART OR AS A WHOLE
WITHOUT THE WRITTEN PERMISSION OF
Doric Lenses Inc. IS PROHIBITED.

DO NOT SCALE DRAWING

doric	357 rue Franquet, Quebec, QC G1P 4N7, Canada; Tel: 418 877 5600; doriclenses.com;
TITLE:	HIGH DENSITY CANNULA HD7
DWG. NO.	B283-4xxx

8 7 6 5 4 3 2 1

- FOR REPRESENTATION ONLY
- SEE CONFIGURATION FORM



D
C
B
A

D
C
B
A

8 7 6 5 4 3 2 1

Dimensions in mm
For Information Purposes Only

PROPRIETARY
THE INFORMATION CONTAINED IN THIS DRAWING IS THE SOLE PROPERTY OF Doric Lenses Inc.. ANY REPRODUCTION IN PART OR AS A WHOLE WITHOUT THE WRITTEN PERMISSION OF Doric Lenses Inc. IS PROHIBITED.

DO NOT SCALE DRAWING

doric	357 rue Franquet, Quebec, QC G1P 4N7, Canada; Tel: 418 877 5600; doriclenses.com;
TITLE:	HIGH DENSITY CANNULA HD9
DWG. NO.	B283-4xxx