

8 7 6 5 4 3 2 1

D

C

B

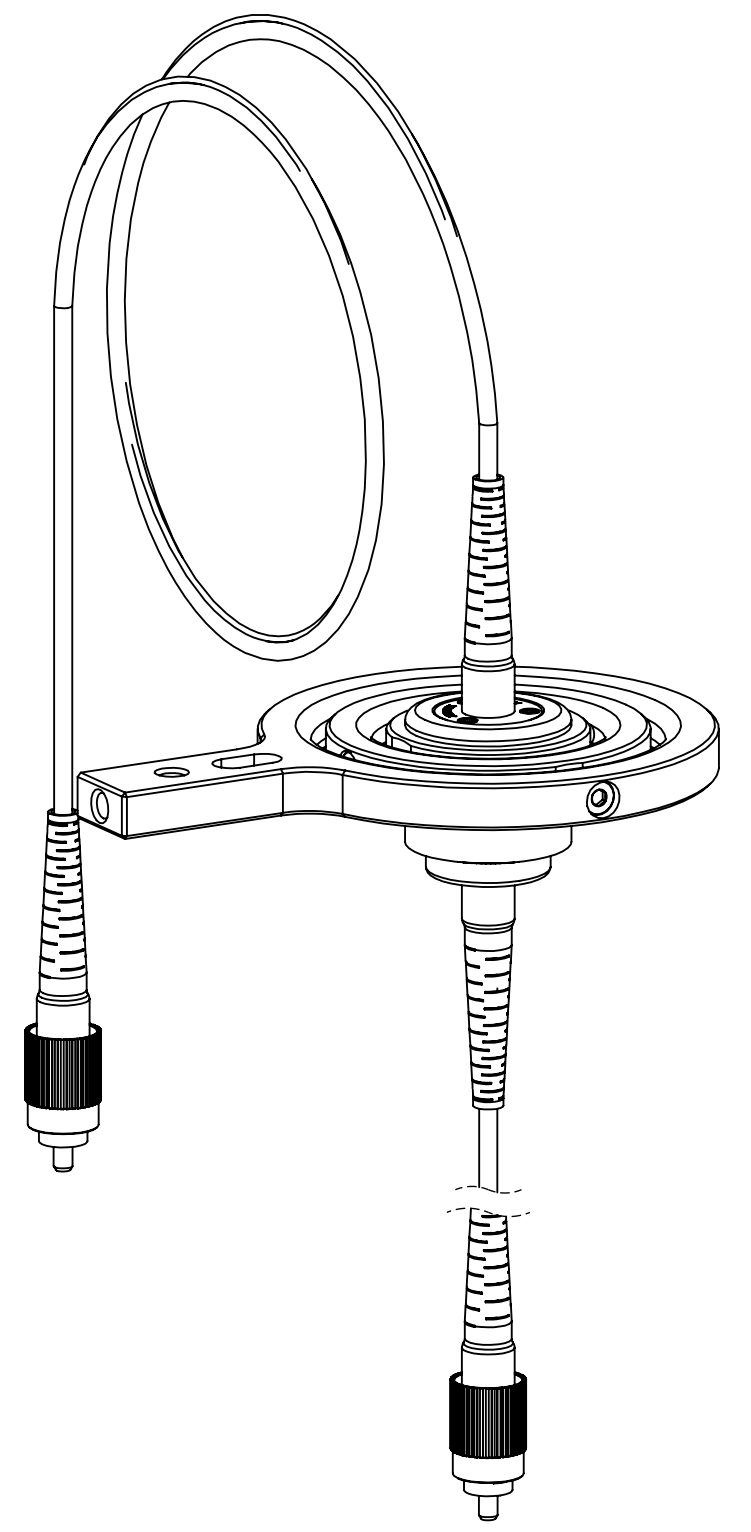
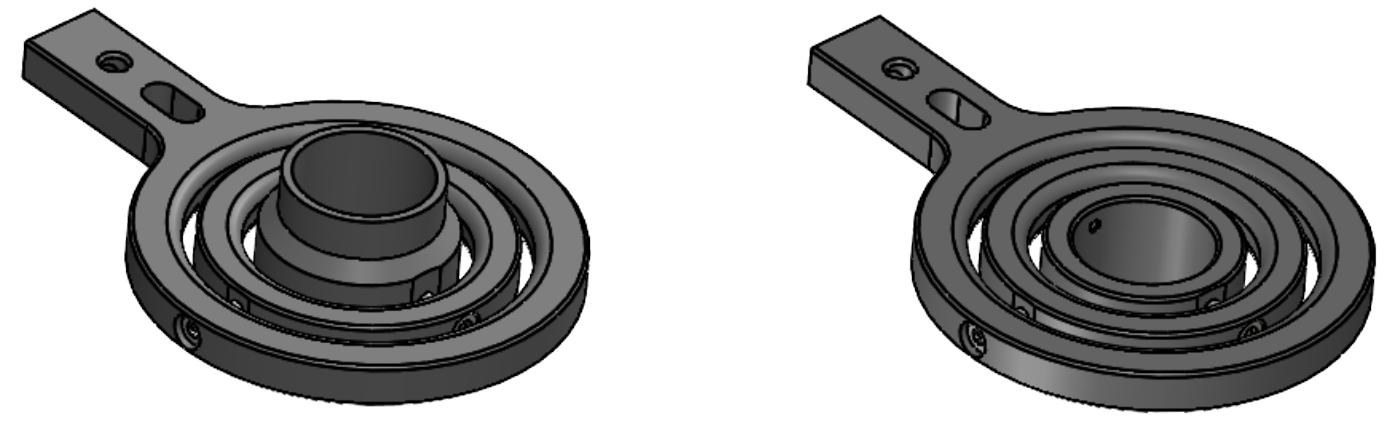
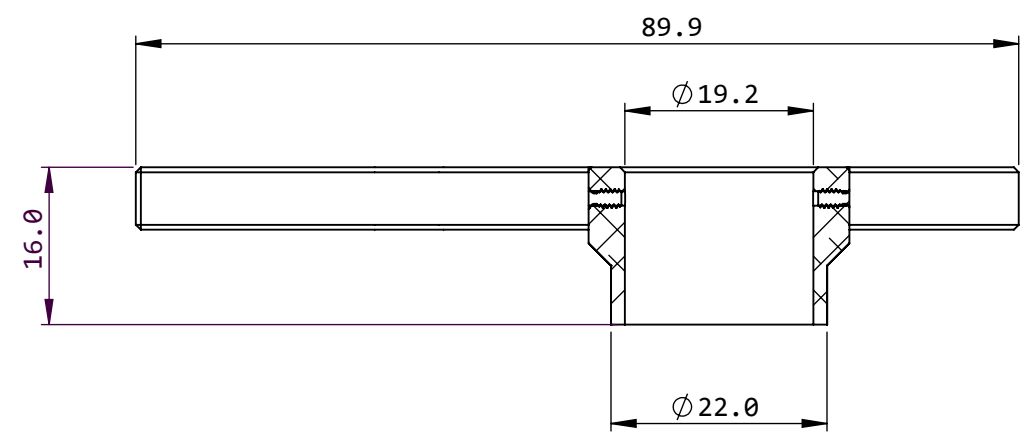
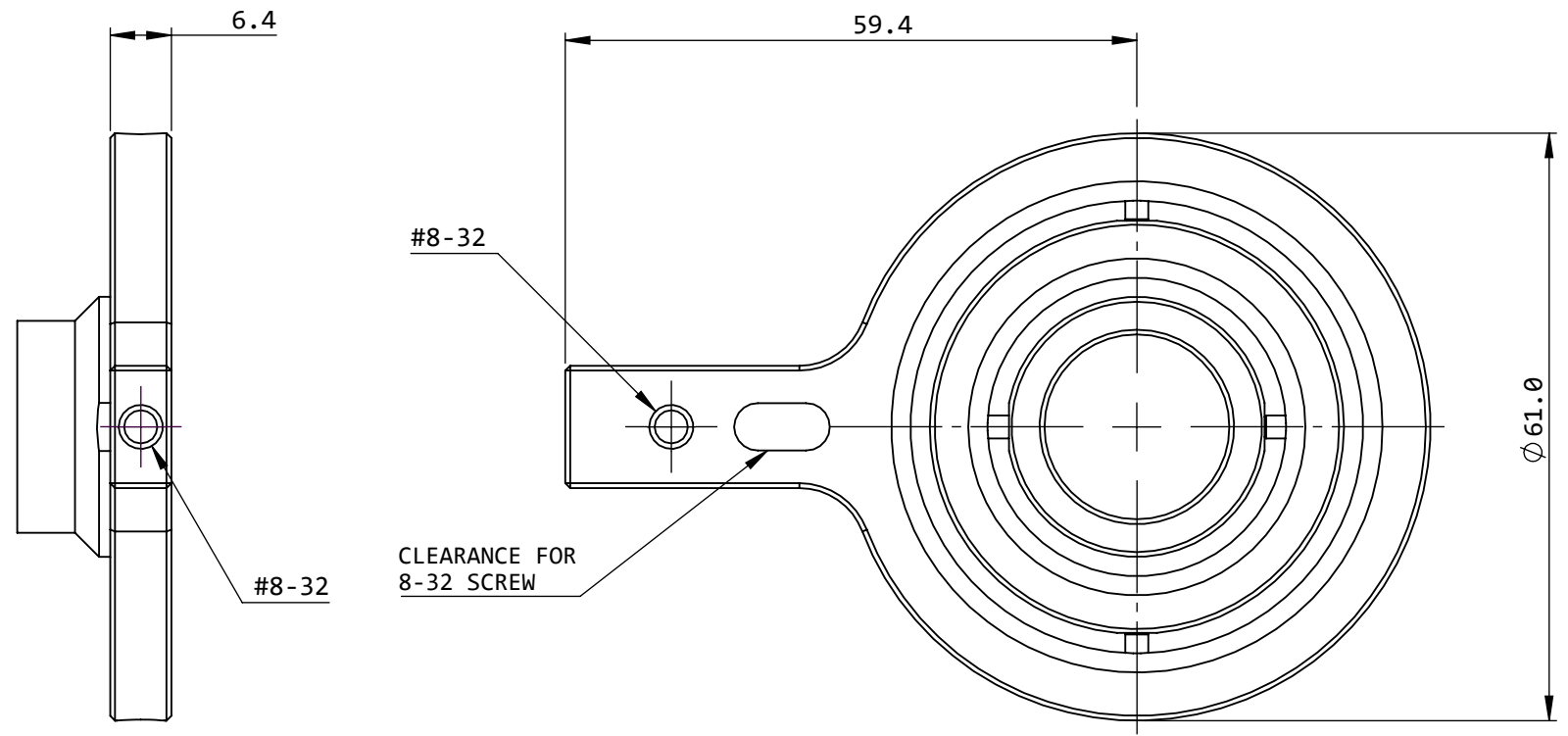
A

D

C

B

A



Dimensions in mm
For Information Purposes Only

PROPRIETARY
THE INFORMATION CONTAINED IN THIS DRAWING IS THE SOLE PROPERTY OF Doric Lenses Inc.. ANY REPRODUCTION IN PART OR AS A WHOLE WITHOUT THE WRITTEN PERMISSION OF Doric Lenses Inc. IS PROHIBITED.

DO NOT SCALE DRAWING

	357 rue Franquet, Quebec, QC G1P 4N7, Canada; Tel: 418 877 5600; doriclenses.com;
	TITLE: <h2 style="text-align: center;">GH_FRJ_PT-G2</h2>
DWG. NO. <h3 style="text-align: center;">B700-1048</h3>	13-12-2023

8 7 6 5 4 3 2 1