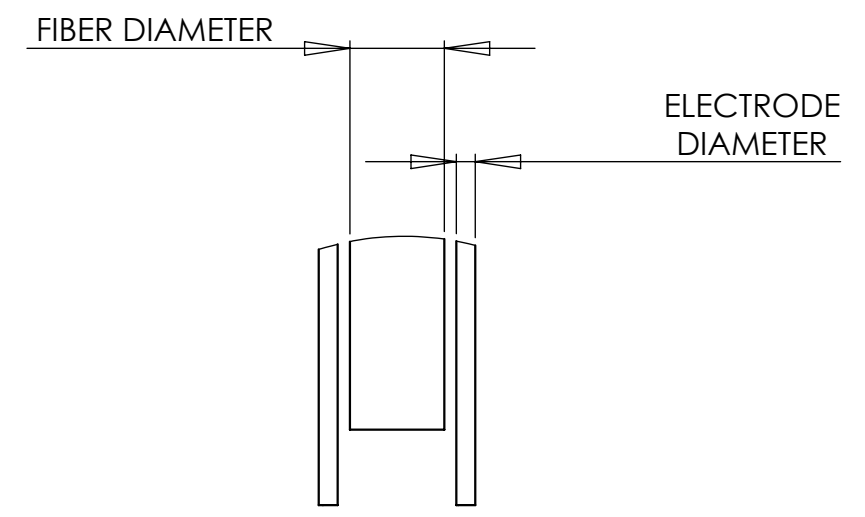
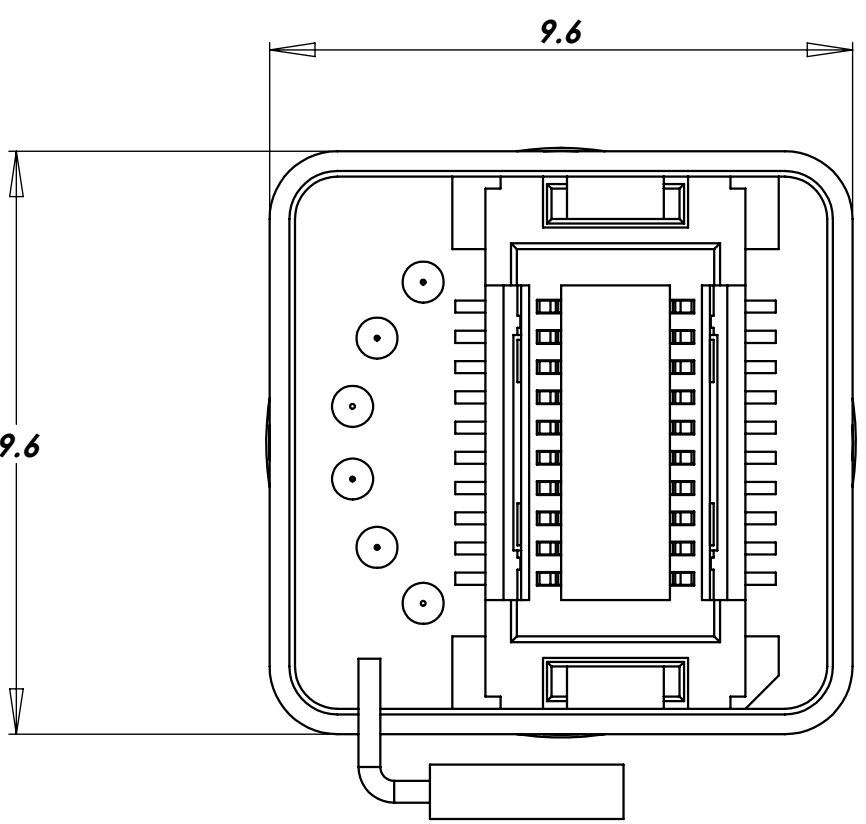
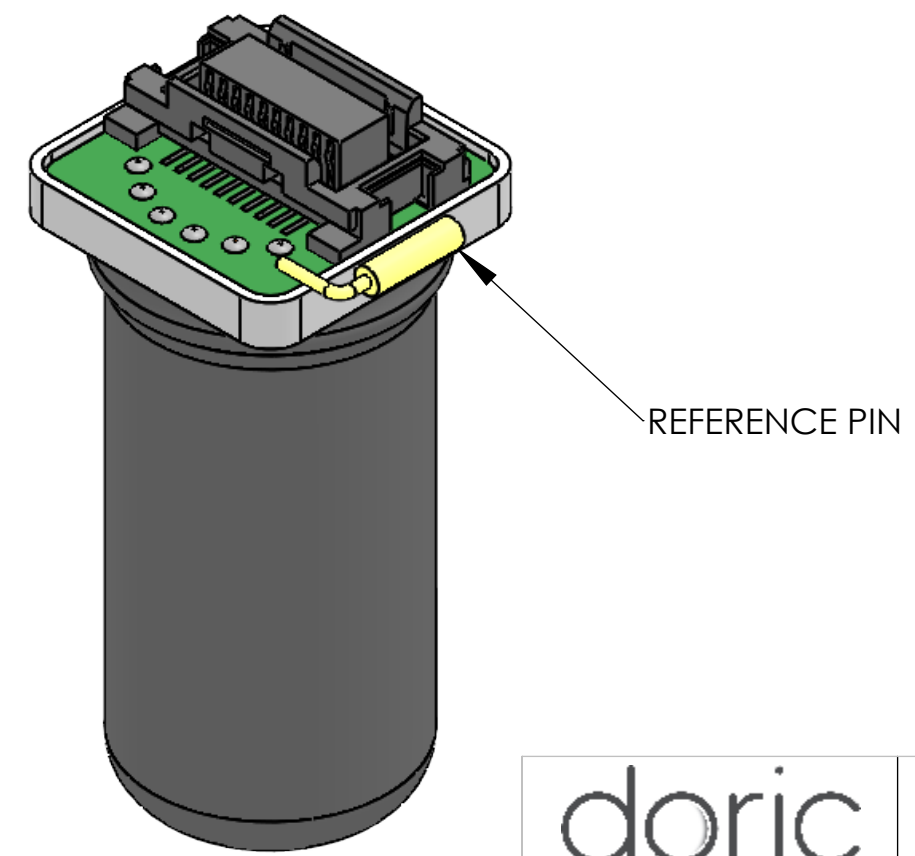
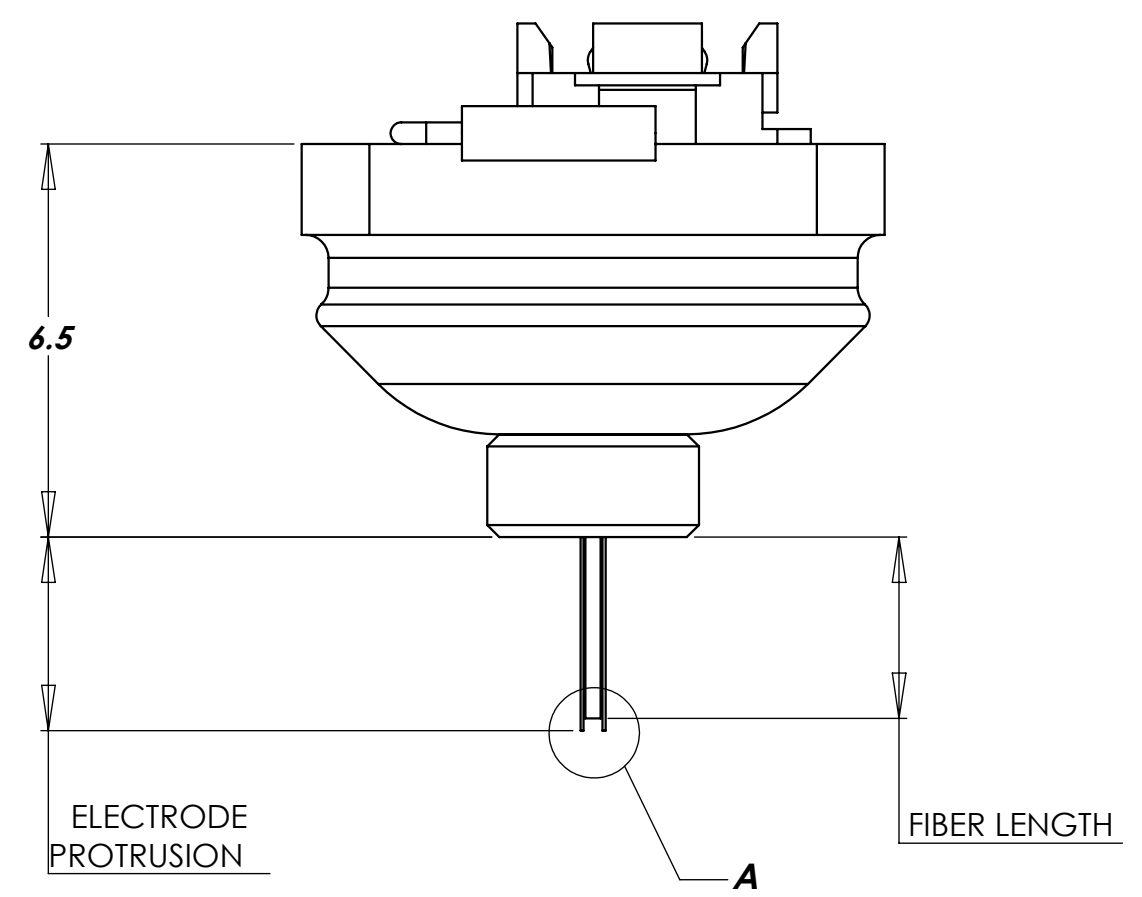


8 7 6 5 4 3 2 1

D
C
B
A



**DETAIL A
SCALE 50 : 1**



Dimensions in mm
For Information Purposes Only

PROPRIETARY
THE INFORMATION CONTAINED IN THIS DRAWING
IS THE SOLE PROPERTY OF **Doric Lenses Inc.**..
ANY REPRODUCTION IN PART OR AS A WHOLE
WITHOUT THE WRITTEN PERMISSION OF
Doric Lenses Inc. IS PROHIBITED.

DO NOT SCALE DRAWING

		357 rue Franquet, Quebec, QC G1P 4N7, Canada; Tel: 418 877 5600; doriclenses.com;	
TITLE:		Fi-Wi Cannula	
DWG. NO.		B410-10xx	
		16-11-2018	

8 7 6 5 4 3 2 1

D
C
B
A