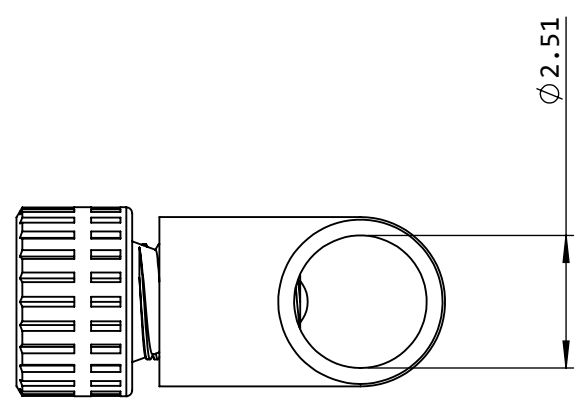
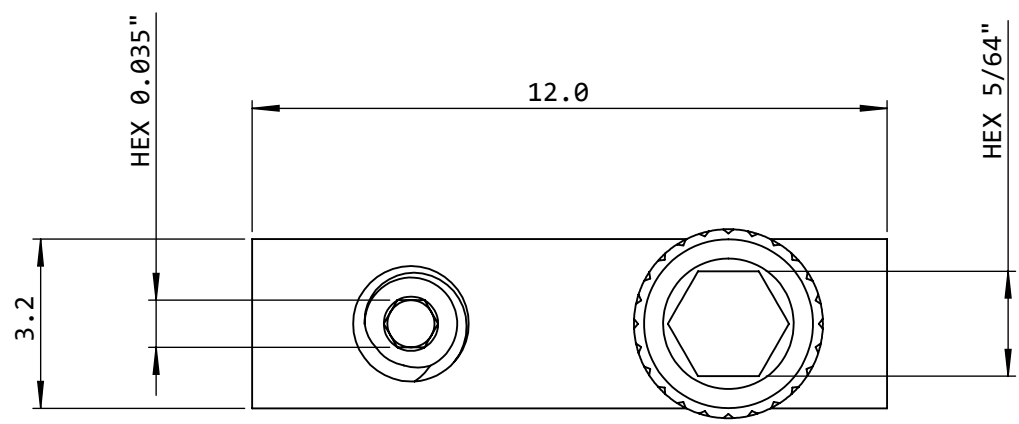


8 7 6 5 4 3 2 1

D

D

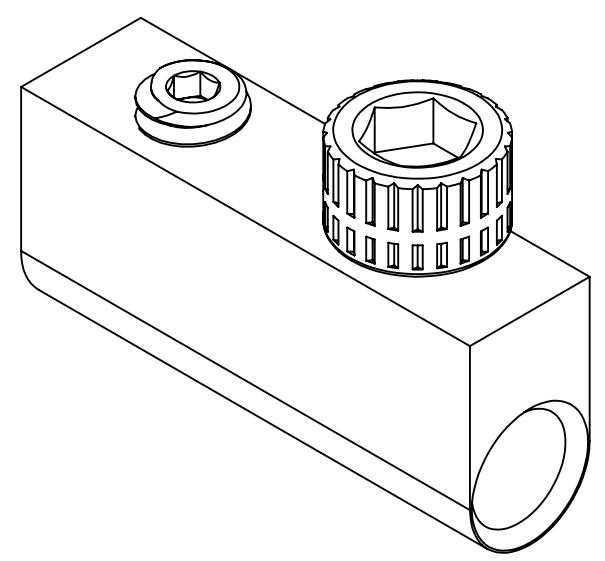
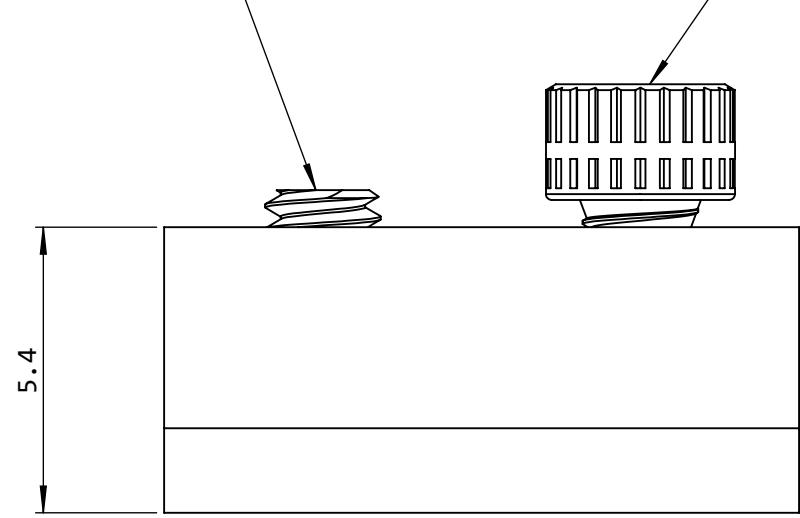


C

C

SET SCREW 2-56

SCREW 2-56



B

B

A

A

8 7 6 5 4 3 2 1

Dimensions in mm  
For Information Purposes Only

**PROPRIETARY**  
THE INFORMATION CONTAINED IN THIS DRAWING  
IS THE SOLE PROPERTY OF **Doric Lenses Inc.**..  
ANY REPRODUCTION IN PART OR AS A WHOLE  
WITHOUT THE WRITTEN PERMISSION OF  
**Doric Lenses Inc.** IS PROHIBITED.

DO NOT SCALE DRAWING

	357 rue Franquet, Quebec, QC G1P 4N7, Canada; Tel: 418 877 5600; doriclenses.com;
TITLE: <p style="text-align: center;">FSLC_2.5</p>	
DWG. NO. <p style="text-align: center;">F210-3078</p>	
<p style="text-align: center;">10-2-2025</p>	