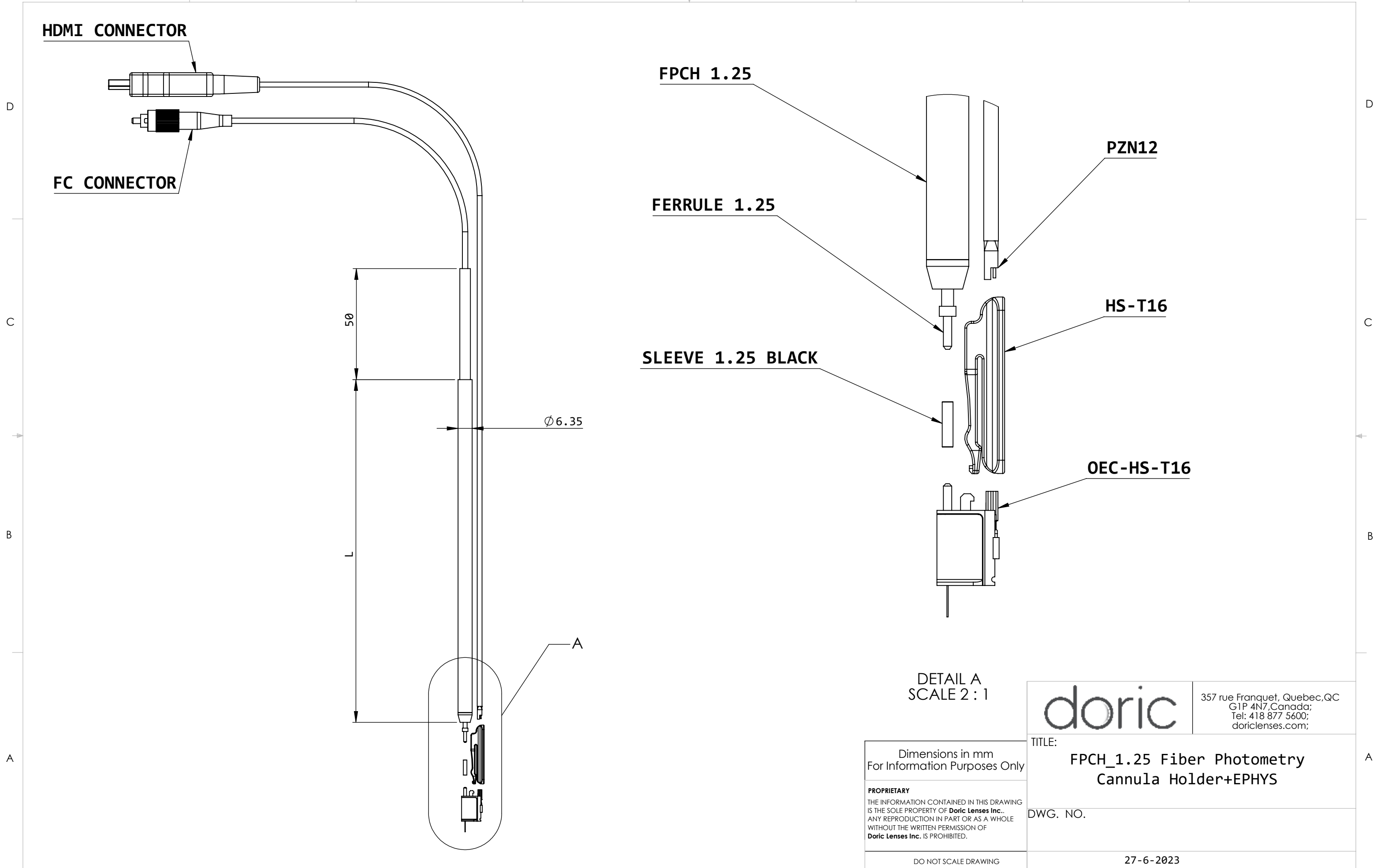


HDMI CONNECTOR

FC CONNECTOR



FPCH 1.25

FERRULE 1.25

PZN12

HS-T16

SLEEVE 1.25 BLACK

OEC-HS-T16

50

Ø6.35

L

A

DETAIL A
SCALE 2 : 1

Dimensions in mm
For Information Purposes Only

PROPRIETARY
THE INFORMATION CONTAINED IN THIS DRAWING
IS THE SOLE PROPERTY OF **Doric Lenses Inc.**..
ANY REPRODUCTION IN PART OR AS A WHOLE
WITHOUT THE WRITTEN PERMISSION OF
Doric Lenses Inc. IS PROHIBITED.

DO NOT SCALE DRAWING

doric

357 rue Franquet, Quebec, QC
G1P 4N7, Canada;
Tel: 418 877 5600;
doriclenses.com;

TITLE:

**FPCH_1.25 Fiber Photometry
Cannula Holder+EPHYS**

DWG. NO.

27-6-2023