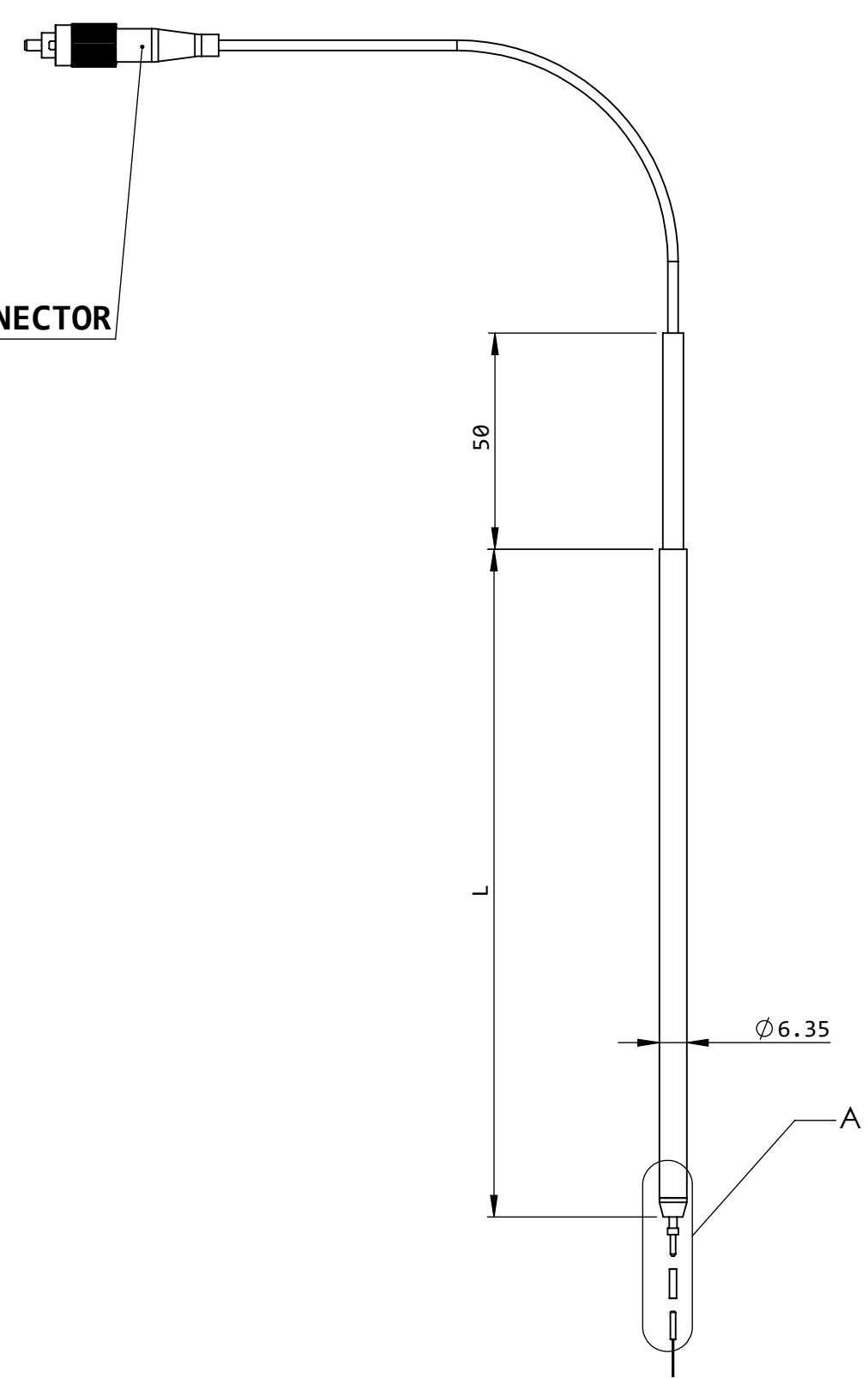


8 7 6 5 4 3 2 1

D
C
B
A

FC CONNECTOR

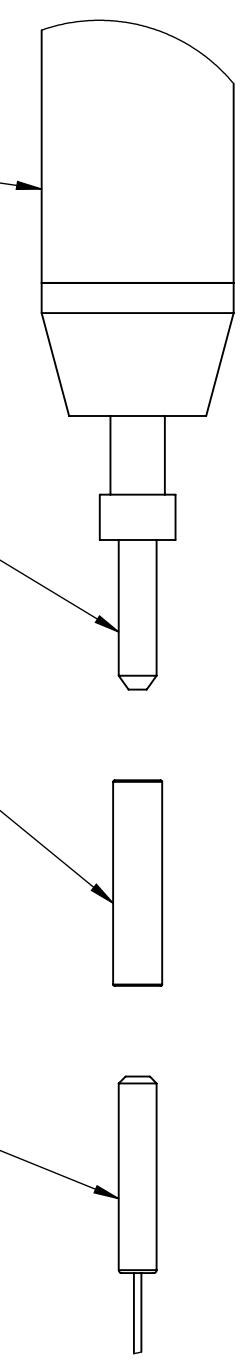


FPCH 1.25

FERRULE 1.25

SLEEVE 1.25 BLACK

MFC 1.25



DETAIL A
SCALE 4 : 1

Dimensions in mm
For Information Purposes Only

PROPRIETARY
THE INFORMATION CONTAINED IN THIS DRAWING
IS THE SOLE PROPERTY OF **Doric Lenses Inc.**..
ANY REPRODUCTION IN PART OR AS A WHOLE
WITHOUT THE WRITTEN PERMISSION OF
Doric Lenses Inc. IS PROHIBITED.

DO NOT SCALE DRAWING



357 rue Franquet, Quebec, QC
G1P 4N7, Canada;
Tel: 418 877 5600;
doriclenses.com;

TITLE:
**FPCH_1.25 Fiber Photometry
Cannula Holder**

DWG. NO.

27-6-2023

8 7 6 5 4 3 2 1