

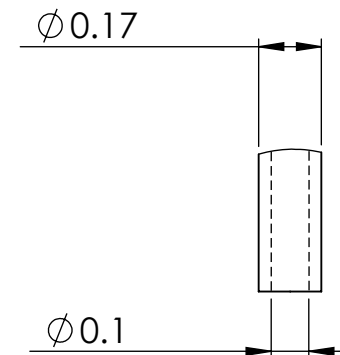
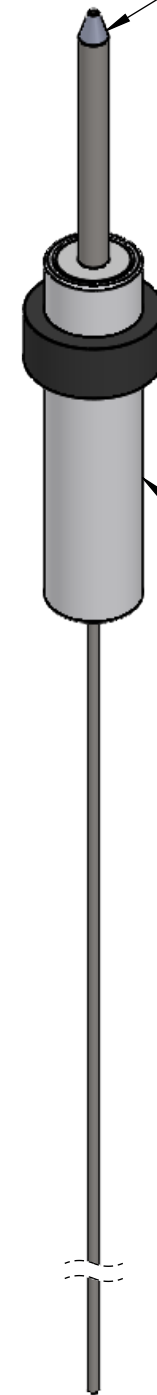
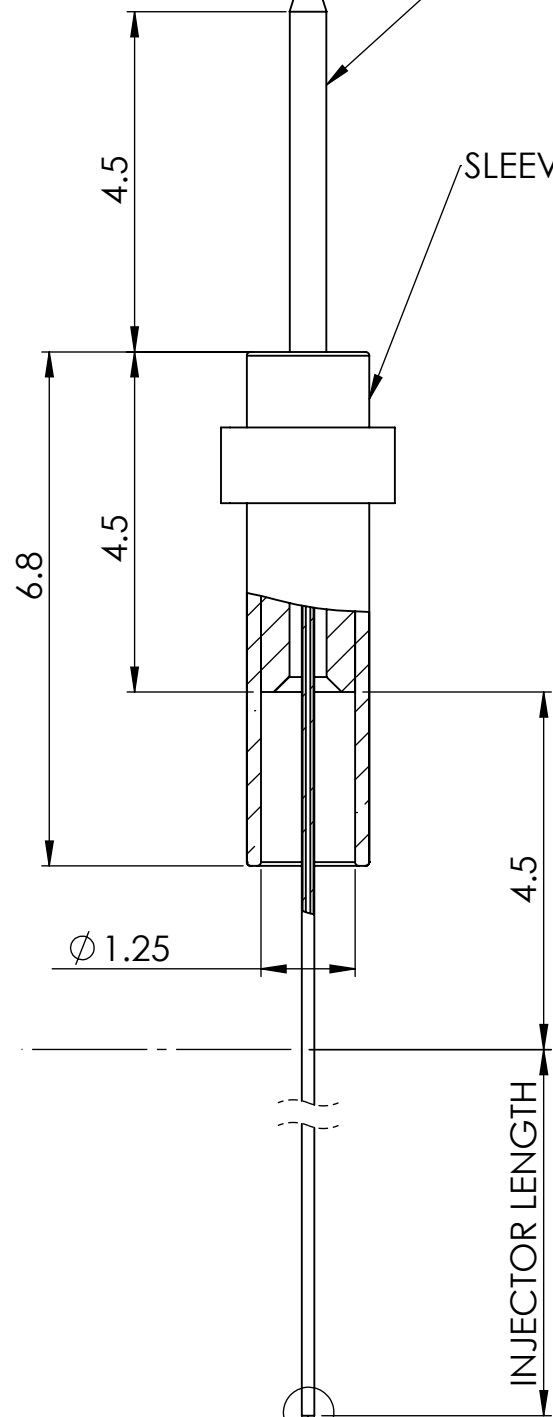
THROUGH HOLE 100 μm

STAINLESS STEEL
TUBE 25 GA
OD=0.485

SLEEVE FOR ZF1.25

EPOXY GLUE BEVEL

ZIRCONIA (ZrO₂)



DETAIL A
SCALE 50 : 1

RECEPTACLE BASE LINE

INJECTOR LENGTH

A

Dimensions in mm
For Information Purposes Only

PROPRIETARY
THE INFORMATION CONTAINED IN THIS DRAWING
IS THE SOLE PROPERTY OF **Doric Lenses Inc.**..
ANY REPRODUCTION IN PART OR AS A WHOLE
WITHOUT THE WRITTEN PERMISSION OF
Doric Lenses Inc. IS PROHIBITED.

DO NOT SCALE DRAWING

doric		357 rue Franquet, Quebec, QC G1P 4N7, Canada; Tel: 418 877 5600; doriclenses.com;	
TITLE:		FI_DiOFC_L	
DWG. NO.		B286-xxxx	
		12-3-2018	