

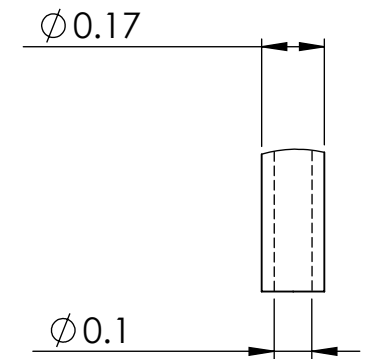
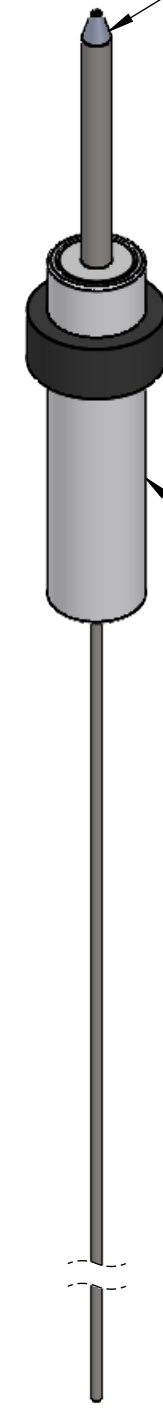
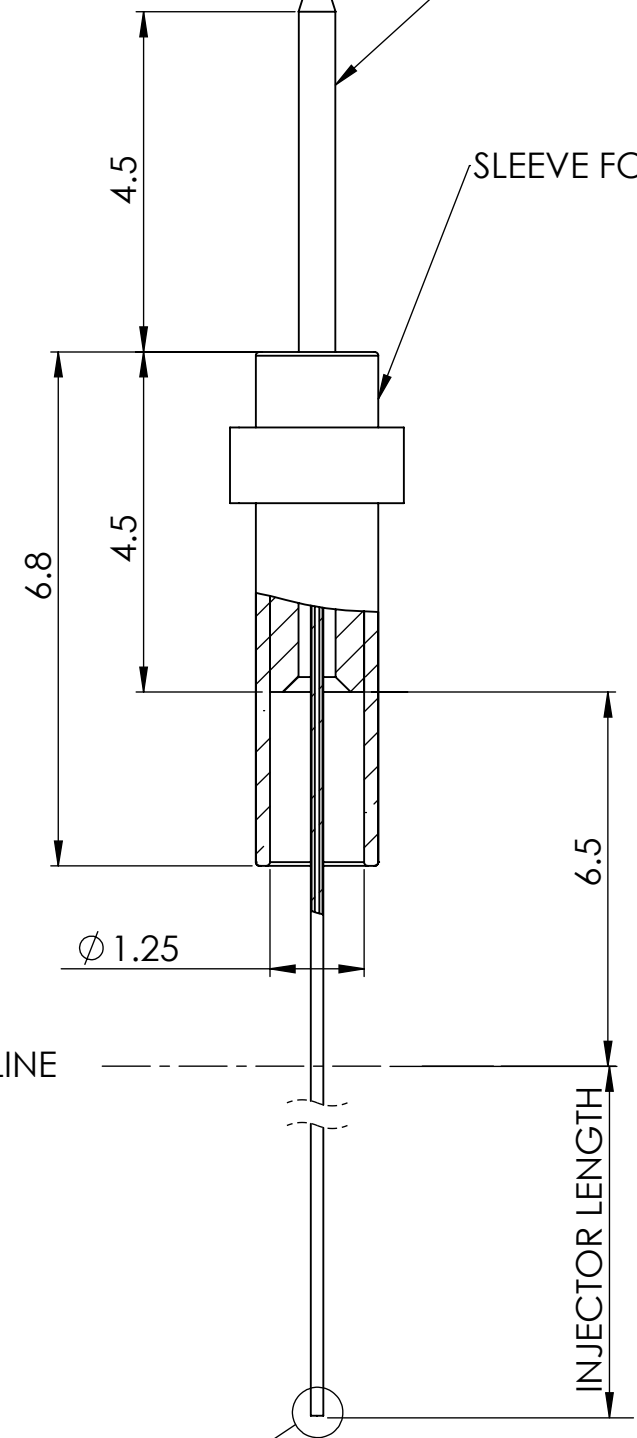
THROUGH HOLE 100 μm

STAINLESS STEEL
TUBE 25 GA
OD=0.485

SLEEVE FOR ZF1.25

EPOXY GLUE BEVEL

ZIRCONIA (ZrO₂)



Dimensions in mm
For Information Purposes Only

PROPRIETARY
THE INFORMATION CONTAINED IN THIS DRAWING IS THE SOLE PROPERTY OF **Doric Lenses Inc.** ANY REPRODUCTION IN PART OR AS A WHOLE WITHOUT THE WRITTEN PERMISSION OF **Doric Lenses Inc.** IS PROHIBITED.

DO NOT SCALE DRAWING

doric		357 rue Franquet, Quebec, QC G1P 4N7, Canada; Tel: 418 877 5600; doriclenses.com;	
TITLE:		FI_iOFC-ZF	
DWG. NO.		B286-XXXX-020	
		18-5-2022	