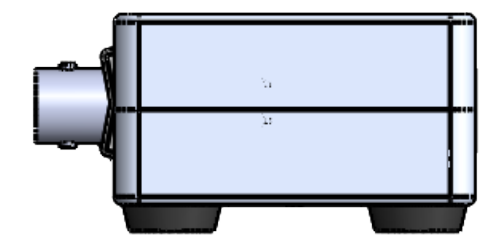
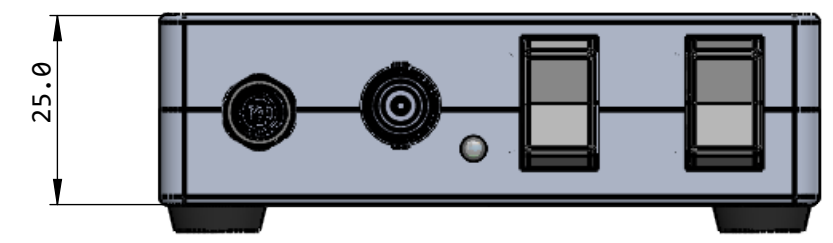
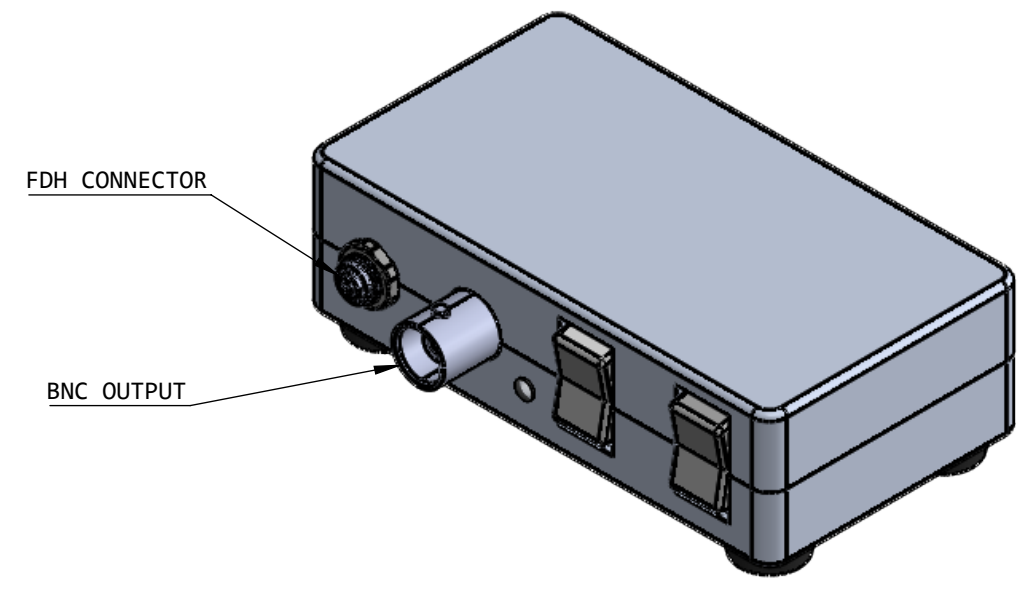
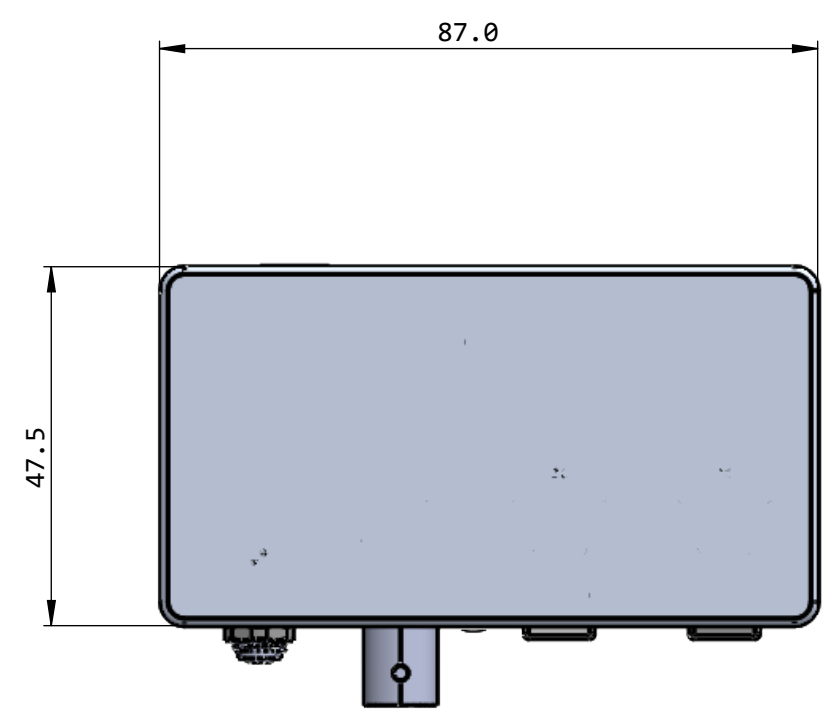


8 7 6 5 4 3 2 1

D
C
B
A




8 7 6 5 4 3 2 1

Dimensions in mm
For Information Purposes Only

PROPRIETARY
THE INFORMATION CONTAINED IN THIS DRAWING
IS THE SOLE PROPERTY OF Doric Lenses Inc..
ANY REPRODUCTION IN PART OR AS A WHOLE
WITHOUT THE WRITTEN PERMISSION OF
Doric Lenses Inc. IS PROHIBITED.

DO NOT SCALE DRAWING

	357 rue Franquet, Quebec, QC G1P 4N7, Canada; Tel: 418 877 5600; doriclenses.com;
	TITLE: <p style="text-align: center;">FDA</p>
DWG. NO. <p style="text-align: center;">D490-1017</p>	Dec. 2018

D
C
B
A