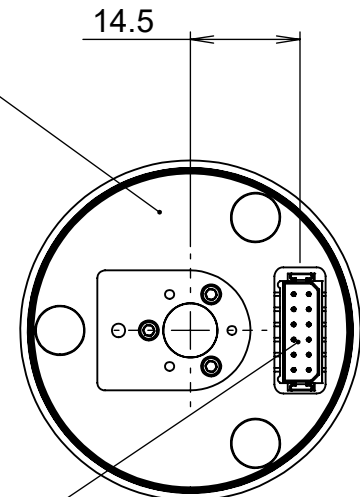
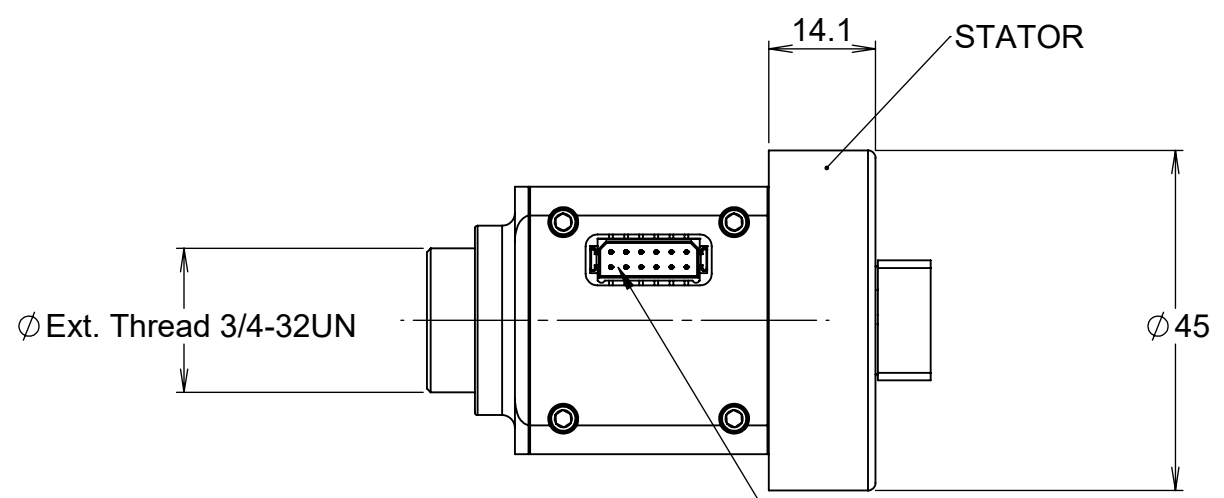
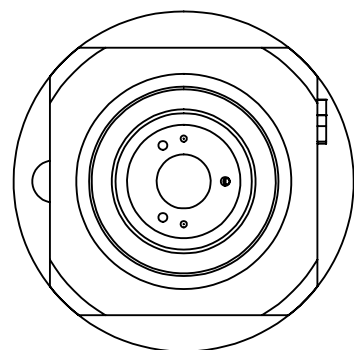
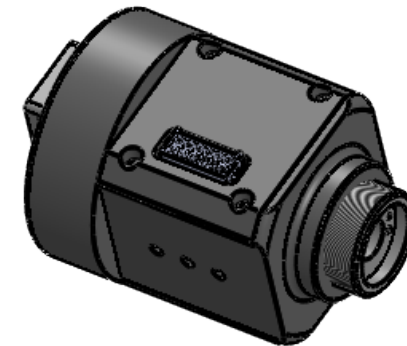
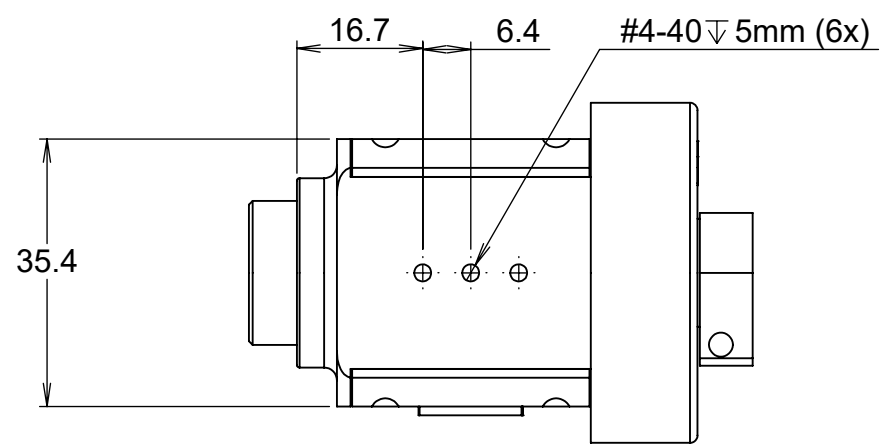
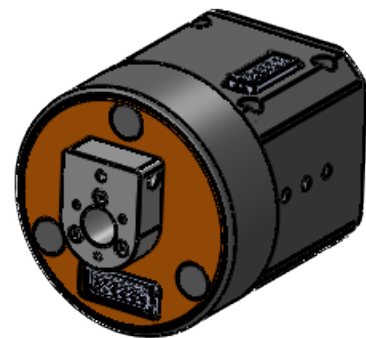


8 7 6 5 4 3 2 1

D
C
B
A

D
C
B
A



Ø Ext. Thread 3/4-32UN

Electrical Connector Header 12 pos
Ref: Harwin SMD-M80-8281242



357 rue Franquet, Quebec, QC
G1P 4N7, Canada;
Tel: 418 877 5600;
doriclenses.com;

Dimensions in mm
For Information Purposes Only

PROPRIETARY
THE INFORMATION CONTAINED IN THIS DRAWING
IS THE SOLE PROPERTY OF Doric Lenses Inc..
ANY REPRODUCTION IN PART OR AS A WHOLE
WITHOUT THE WRITTEN PERMISSION OF
Doric Lenses Inc. IS PROHIBITED.

DO NOT SCALE DRAWING

TITLE:

ERJ_12_HARW

DWG. NO.

B310-1004

22-6-2018

8 7 6 5 4 3 2 1

1