

8 7 6 5 4 3 2 1

D D

C C

B B

A A

8

7

6

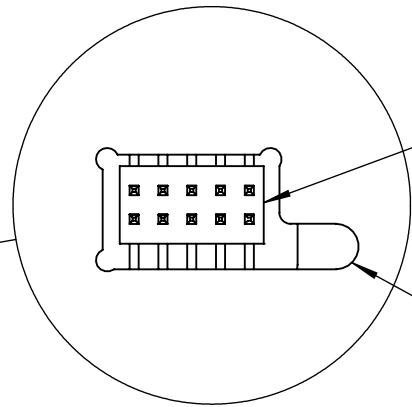
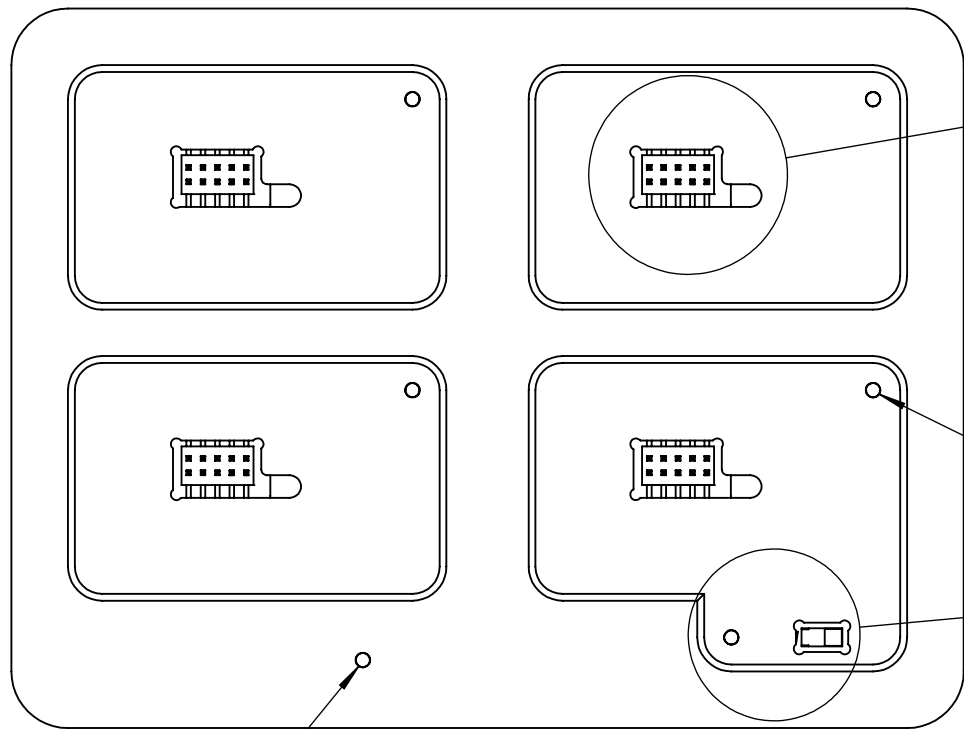
5

4

3

2

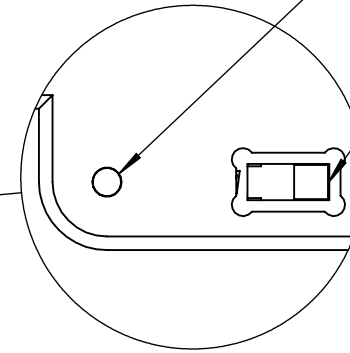
1



HEADSTAGE CONNECTOR

HEADSTAGE GUIDE

BATTERY STATUS

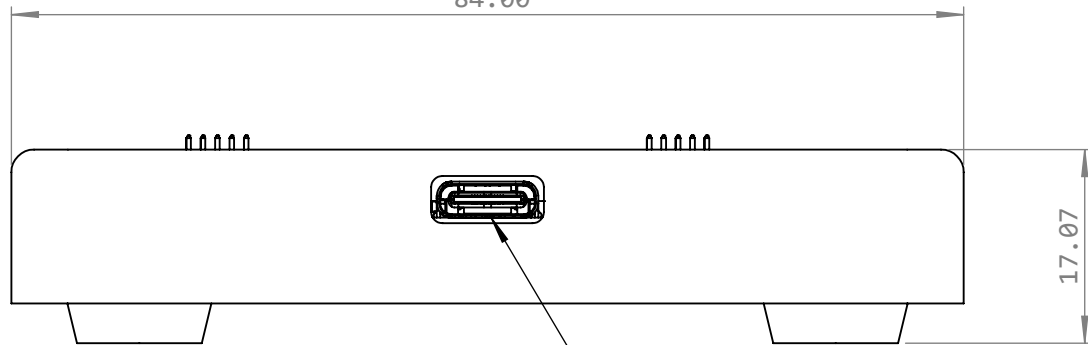


PROGRAMMATION MODE INDICATOR

SWITCH PROGRAMMATION MODE

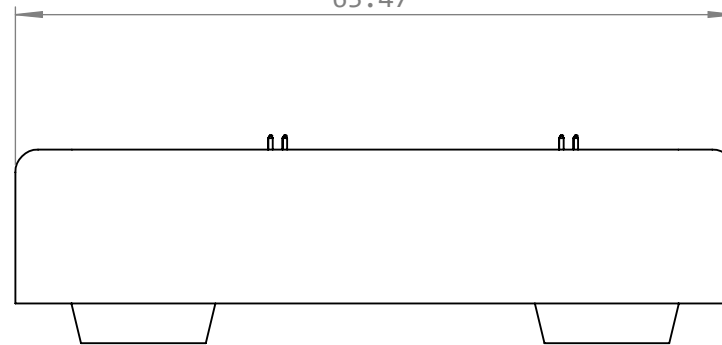
POWER

84.00



USB-C

63.47



	357 rue Franquet, Quebec, QC G1P 4N7, Canada; Tel: 418 877 5600; doriclenses.com;
TITLE: WIFP_CHRG	
DWG. NO. D460-2009	

Dimensions in mm
For Information Purposes Only

PROPRIETARY
THE INFORMATION CONTAINED IN THIS DRAWING IS THE SOLE PROPERTY OF **Doric Lenses Inc.**. ANY REPRODUCTION IN PART OR AS A WHOLE WITHOUT THE WRITTEN PERMISSION OF **Doric Lenses Inc.** IS PROHIBITED.

DO NOT SCALE DRAWING

8

7

6

5

4

3

2

1