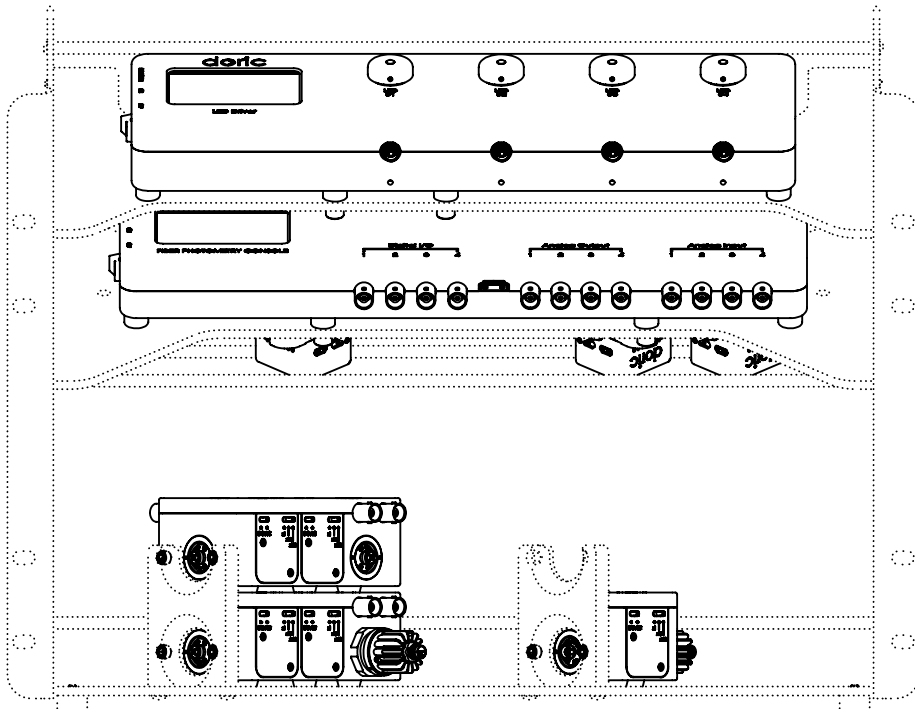
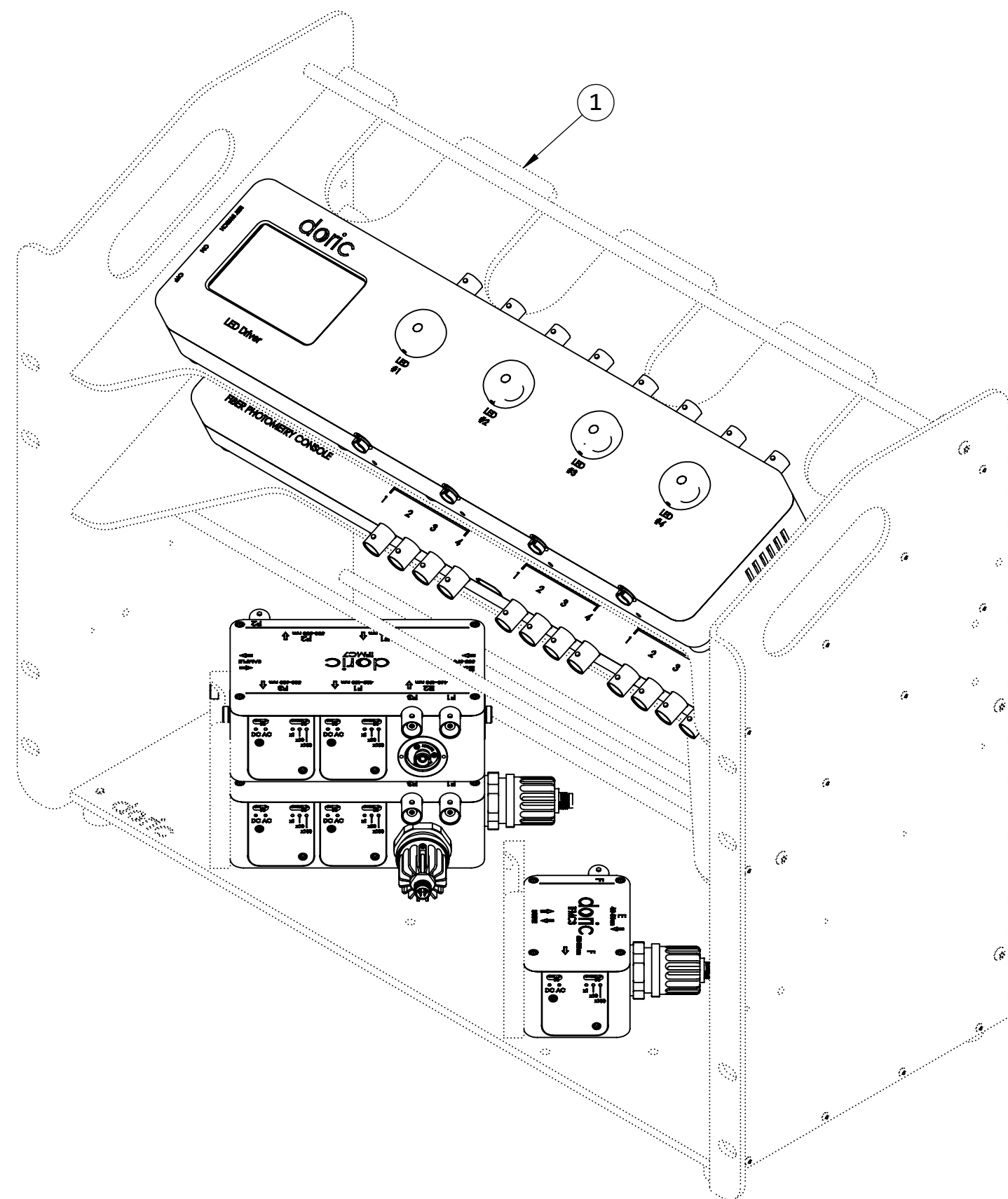


8 7 6 5 4 3 2 1

BOM Table				
ITEM #	QTY	PART NUM	REV	DESCRIPTION
1	1	D460-0103	01	PR_7 Fiber Photometry Rack
2	7	F800-4135		NYLON UNTHREADED SPACERS, 1/2" OD, 1/4" LONG, BLACK, MCMASTER 90176A155
3	6	F700-1107		SHCS_8-32_0.5000L_SS_304, MCMASTER 92196A194
4	7	F700-1163		SHCS_0.2500-28_0.7500L_SS_304, MCMASTER 92196A321
5	6	F700-1156		SHCS_0.2500-20_0.5000L_SS_304, MCMASTER 92196A537

D
C
B
A



D
C
B
A

MOUNTING SHEET :
- FOLLOWING STEP 1 TO STEP 4 WILL EASIES COMPONENT MOUNTING

PROPRIETARY AND CONFIDENTIAL
THE INFORMATION CONTAINED IN THIS DRAWING IS THE SOLE PROPERTY OF **Doric Lenses Inc.**. ANY REPRODUCTION IN PART OR AS A WHOLE WITHOUT THE WRITTEN PERMISSION OF **Doric Lenses Inc.** IS PROHIBITED.

UNLESS OTHERWISE SPECIFIED:	
DIMENSIONS ARE IN MM	DRAWN
ANGULAR: ± 0.25 deg	CHECKED
ONE PLACE DECIMAL ±0.2	ENG APPR.
TWO PLACE DECIMAL ±0.10	MFG APPR.
THREE PLACE DECIMAL ±0.050	Q.A.
INTERPRET GEOMETRIC TOLERANCING PER:	Third angle projection:
MATERIAL N/A	
FINISH N/A	
DO NOT SCALE DRAWING	

NAME	DATE
<i>R. COSSLETTE</i>	<i>2020-02-18</i>

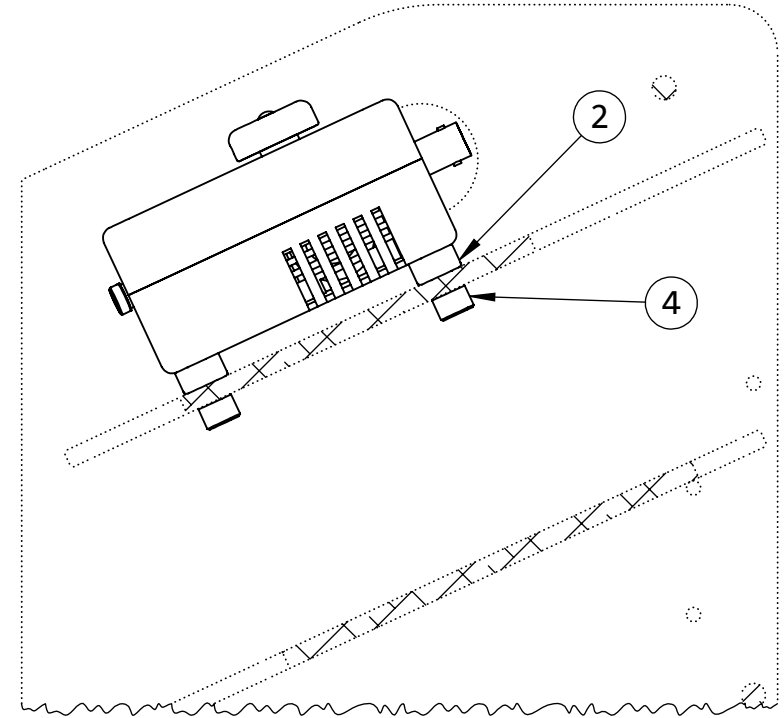
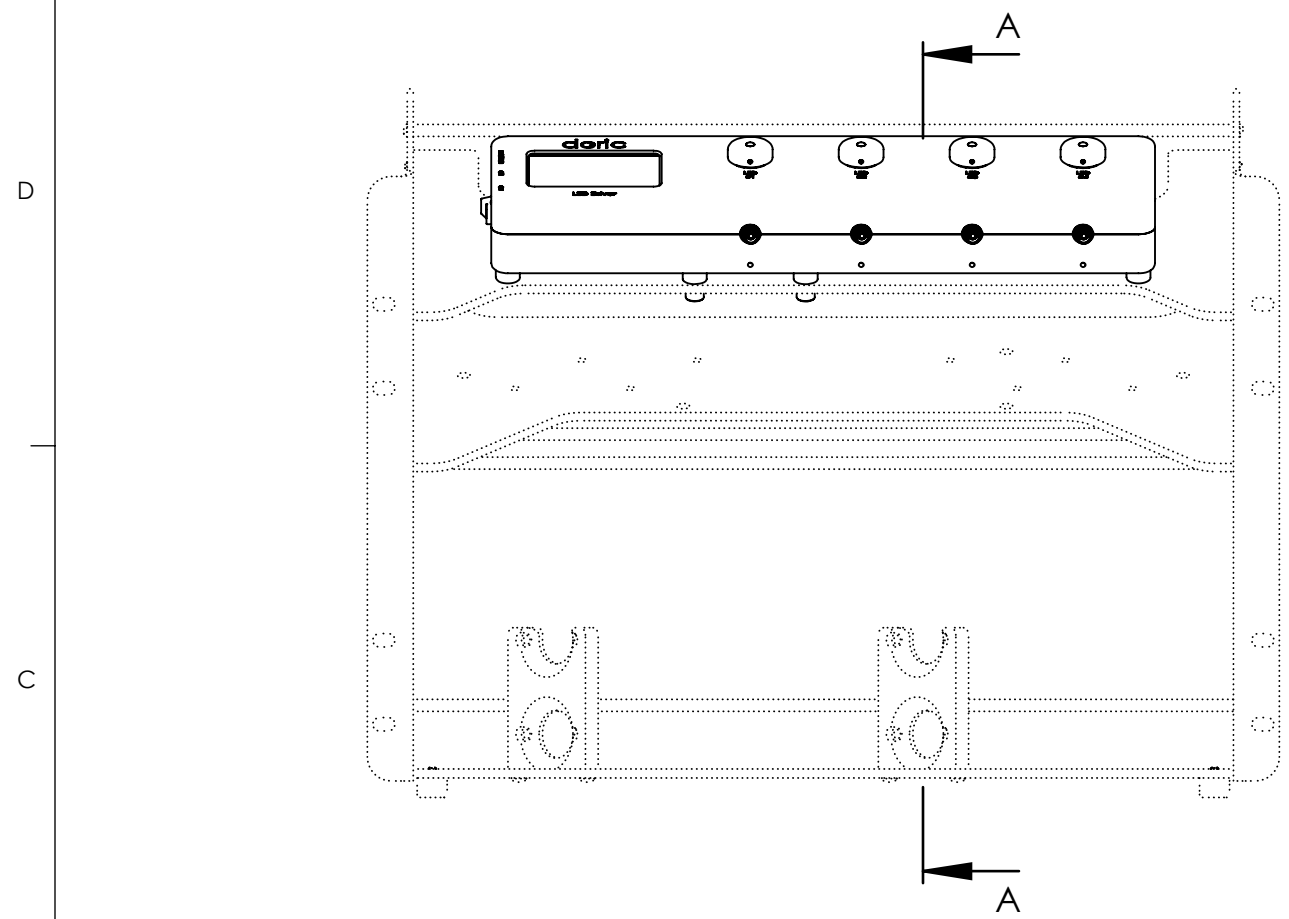
doric 357 rue Franquet, Quebec, QC G1P 4N7, Canada, Tel: 418 877 5600

TITLE:
PR_7 Fiber Photometry Rack - MOUNTING SHEET

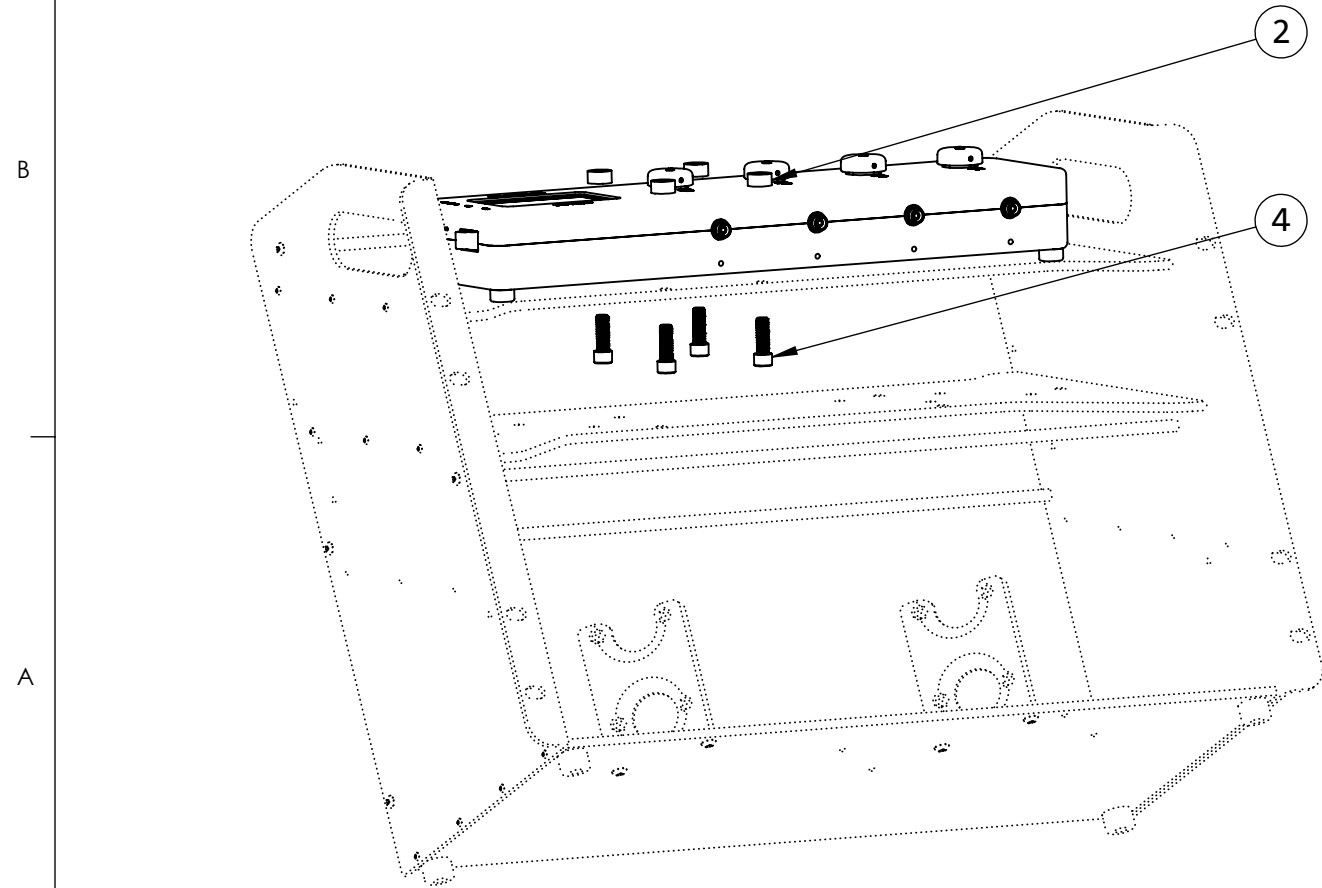
SIZE B	DWG. NO. D460-0103-MS	REV 01
WEIGHT: N/A		SHEET 1 OF 5

8 7 6 5 4 3 2 1

8 7 6 5 4 3 2 1



SECTION A-A
SCALE 1 : 2



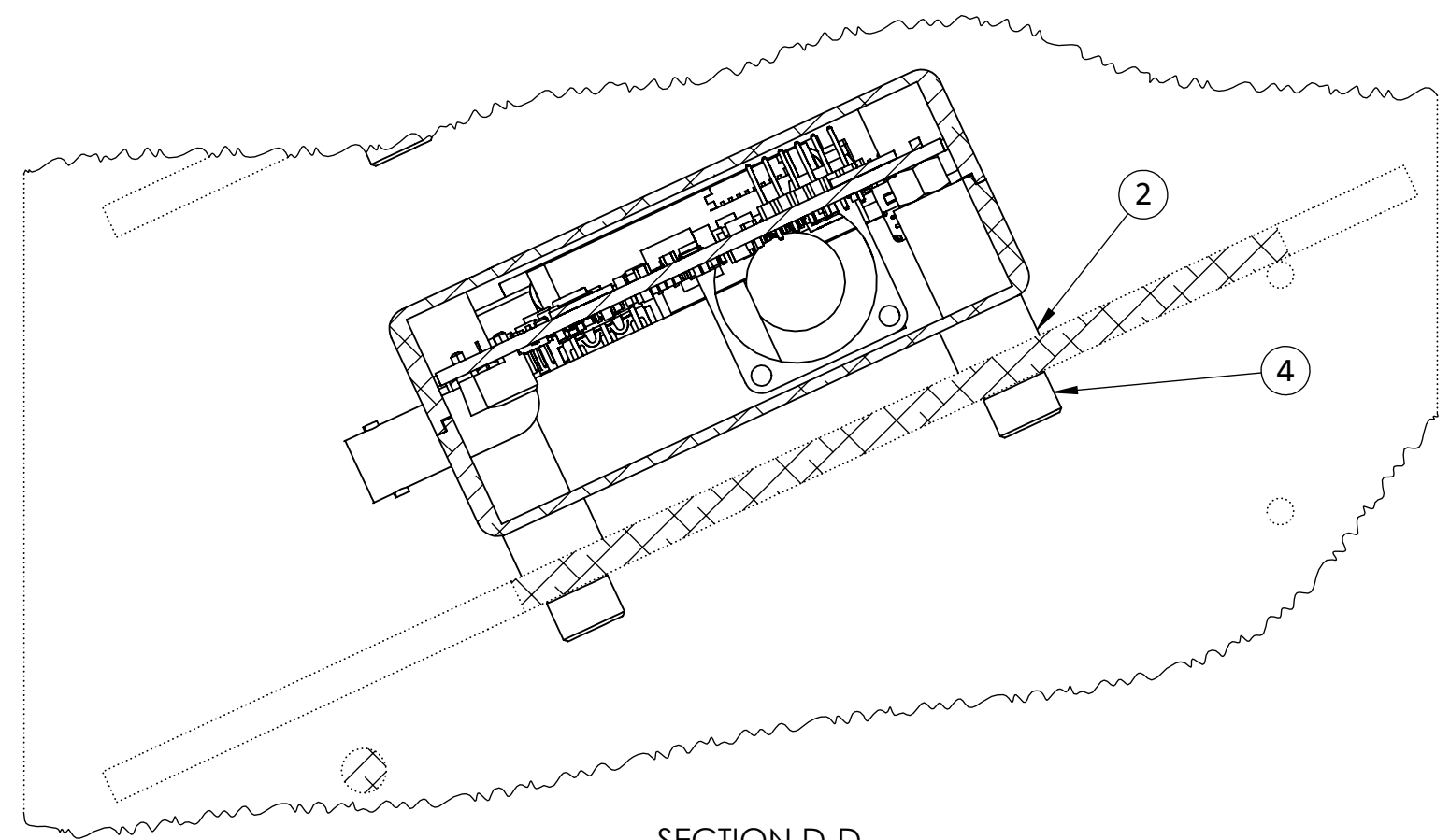
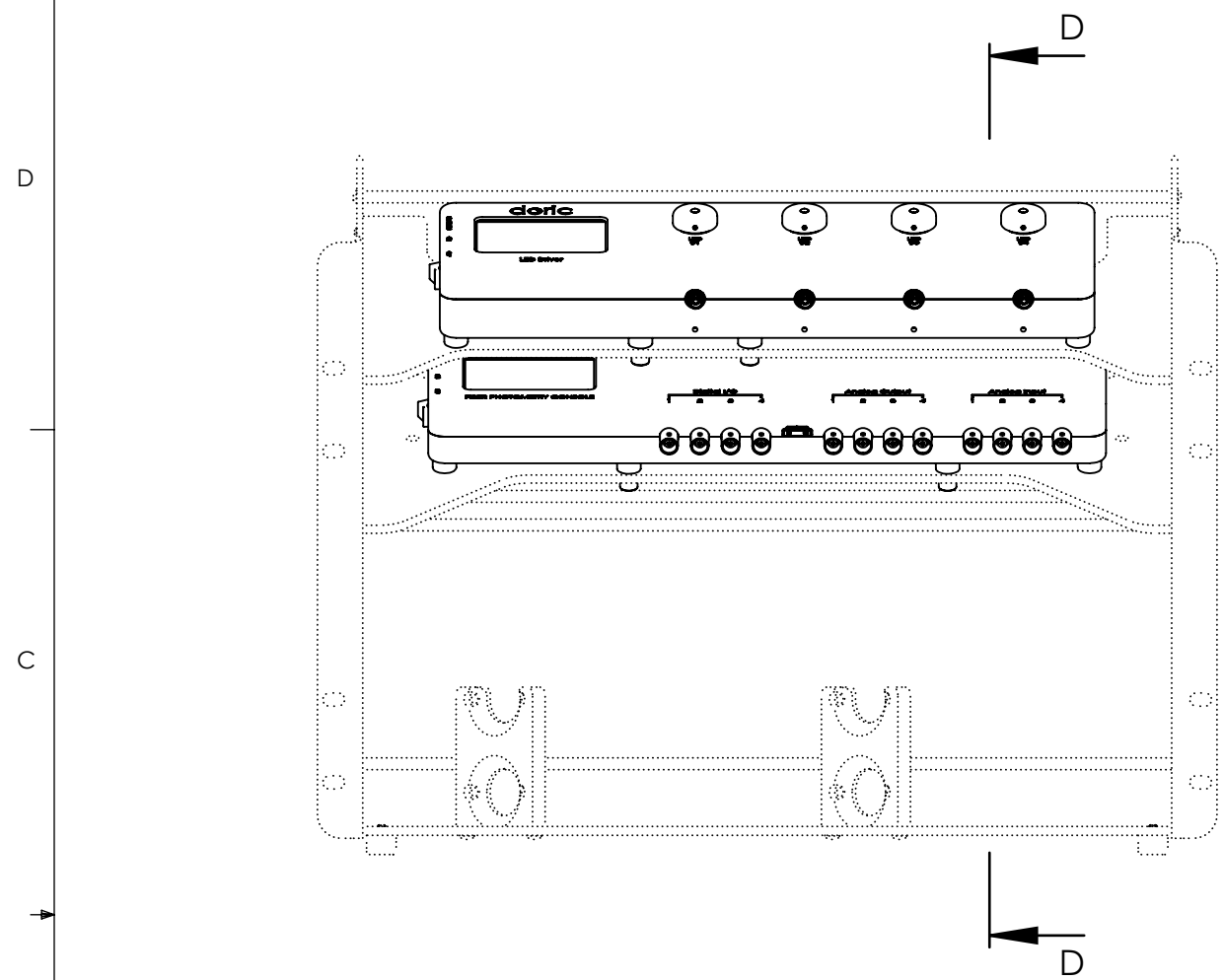
- STEP 1 :**
- PLACE THE SPACERS BETWEEN THE SHELF AND THE CONSOLE TO AVOID FLEXION WHEN TIGHTENING SCREWS
 - MOUNT THE LED DRIVER ON THE TOP SHELF

PROPRIETARY AND CONFIDENTIAL
THE INFORMATION CONTAINED IN THIS DRAWING IS THE SOLE PROPERTY OF **Doric Lenses Inc.** ANY REPRODUCTION IN PART OR AS A WHOLE WITHOUT THE WRITTEN PERMISSION OF **Doric Lenses Inc.** IS PROHIBITED.

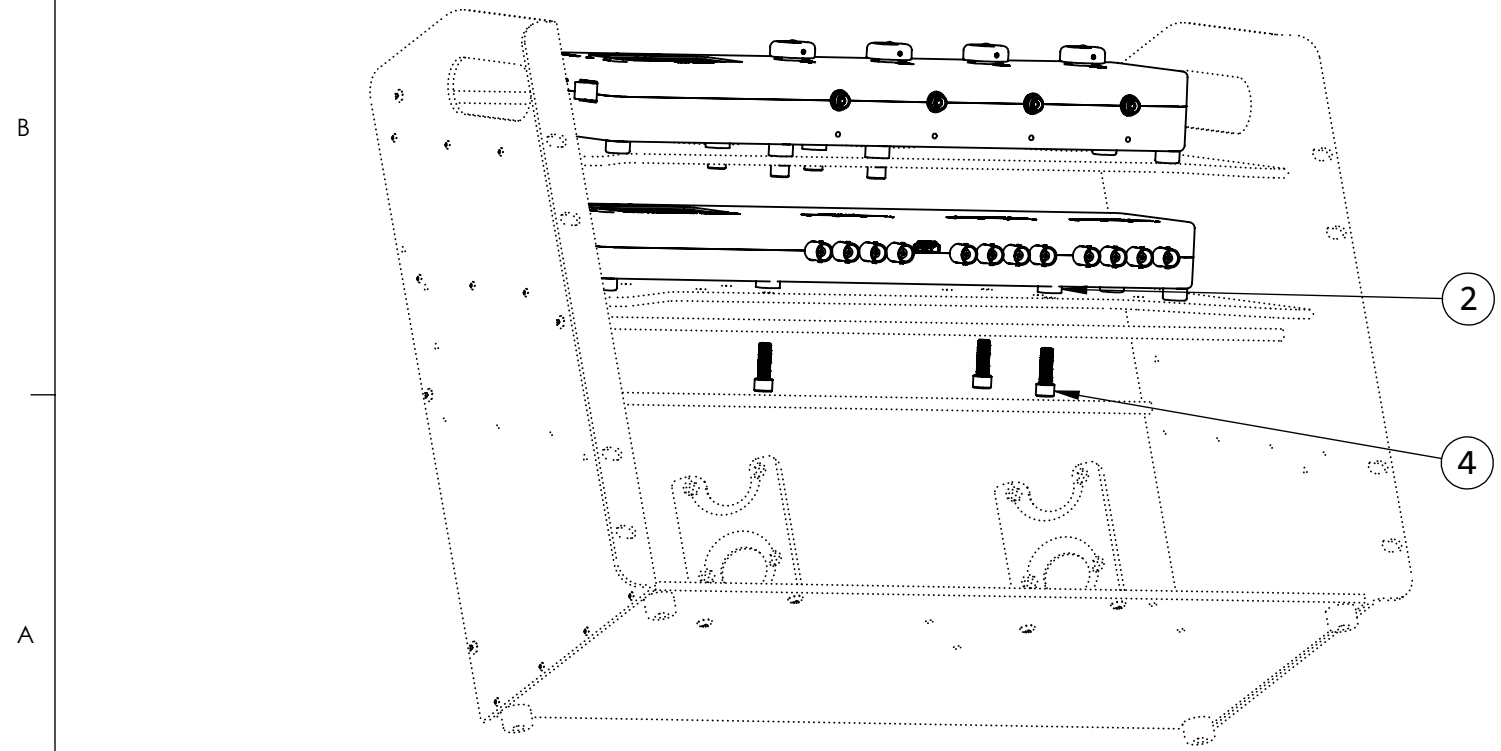
UNLESS OTHERWISE SPECIFIED:		NAME	DATE	doric 357 rue Franquet, Quebec, QC G1P 4N7, Canada, Tel: 418 877 5600
DIMENSIONS ARE IN MM		DRAWN		
ANGULAR: ± 0.25 deg		CHECKED		TITLE: PR_7 Fiber Photometry Rack - MOUNTING SHEET
ONE PLACE DECIMAL ±0.2		ENG APPR.		
TWO PLACE DECIMAL ±0.10		MFG APPR.		
THREE PLACE DECIMAL ±0.050		Q.A.		SIZE DWG. NO. REV
INTERPRET GEOMETRIC TOLERANCING PER:		Third angle projection:		B D460-0103-MS 01
MATERIAL N/A				WEIGHT: N/A
FINISH N/A				SHEET 2 OF 5
DO NOT SCALE DRAWING				

8 7 6 5 4 3 2 1

8 7 6 5 4 3 2 1



SECTION D-D
SCALE 1:1

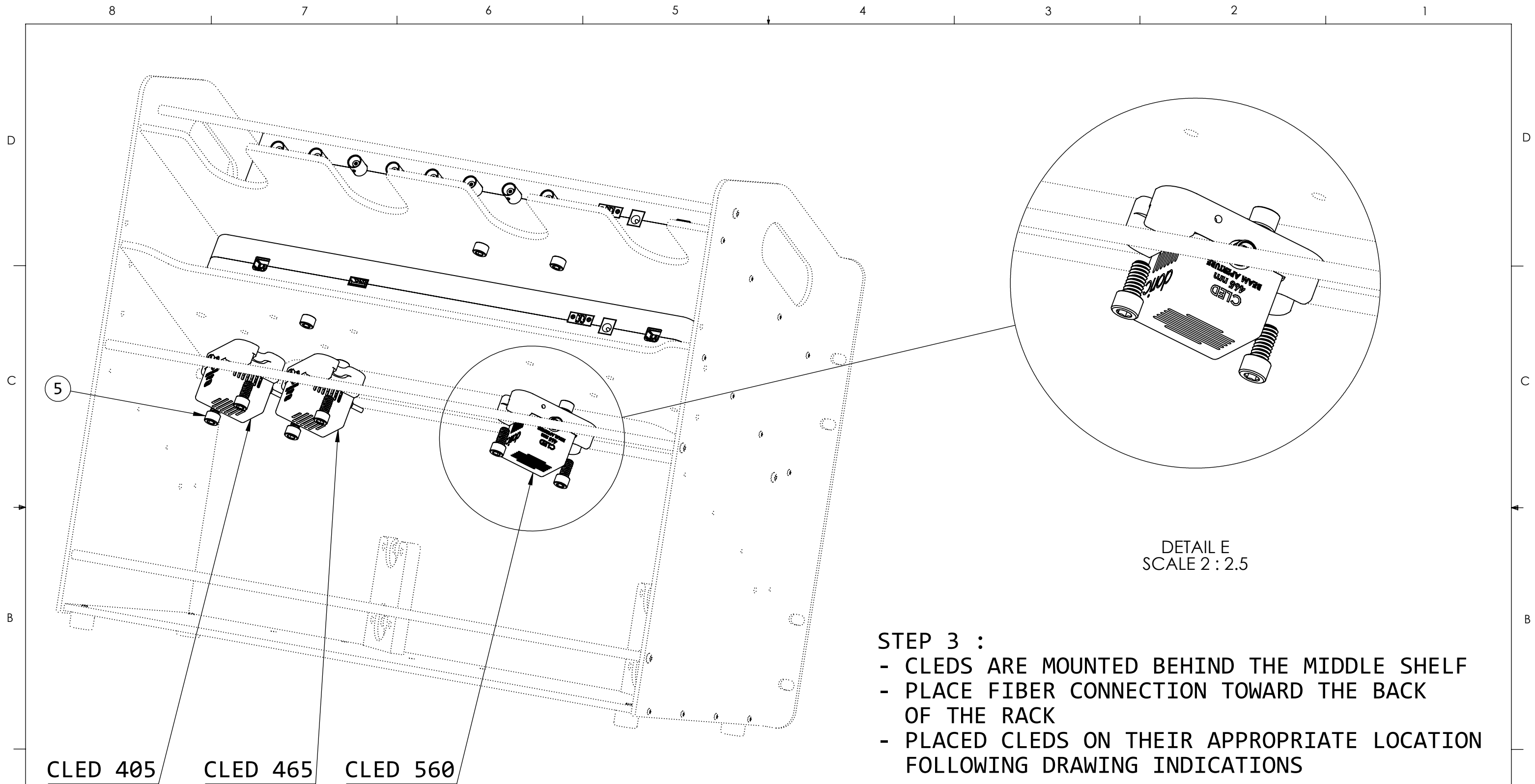


- STEP 2 :**
- PLACE THE SPACERS BETWEEN THE SHELF AND THE CONSOLE TO AVOID FLEXION WHEN TIGHTENING SCREWS
 - MOUNT THE CONSOLE ON THE THIRD SHELF

UNLESS OTHERWISE SPECIFIED:		NAME	DATE	357 rue Franquet, Quebec, QC G1P 4N7, Canada, Tel: 418 877 5600
DIMENSIONS ARE IN MM		DRAWN		
ANGULAR: ± 0.25 deg		CHECKED		TITLE: PR_7 Fiber Photometry Rack - MOUNTING SHEET
ONE PLACE DECIMAL ±0.2		ENG APPR.		
TWO PLACE DECIMAL ±0.10		MFG APPR.		
THREE PLACE DECIMAL ±0.050		Q.A.		SIZE DWG. NO. REV B D460-0103-MS 01
INTERPRET GEOMETRIC TOLERANCING PER:		Third angle projection:		
MATERIAL N/A				WEIGHT: N/A
FINISH N/A				SHEET 3 OF 5
DO NOT SCALE DRAWING				

PROPRIETARY AND CONFIDENTIAL
 THE INFORMATION CONTAINED IN THIS DRAWING IS THE SOLE PROPERTY OF **Doric Lenses Inc.**. ANY REPRODUCTION IN PART OR AS A WHOLE WITHOUT THE WRITTEN PERMISSION OF **Doric Lenses Inc.** IS PROHIBITED.

8 7 6 5 4 3 2 1



DETAIL E
SCALE 2 : 2.5

- STEP 3 :**
- CLLEDS ARE MOUNTED BEHIND THE MIDDLE SHELF
 - PLACE FIBER CONNECTION TOWARD THE BACK OF THE RACK
 - PLACED CLLEDS ON THEIR APPROPRIATE LOCATION FOLLOWING DRAWING INDICATIONS

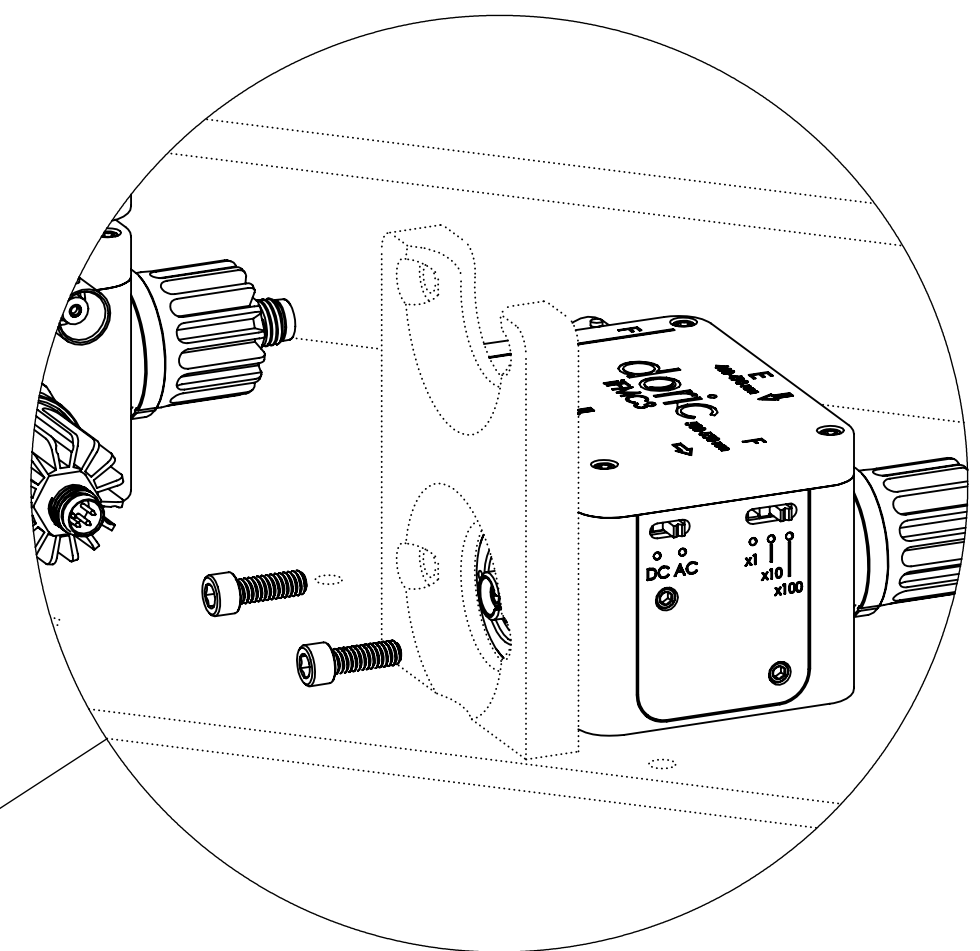
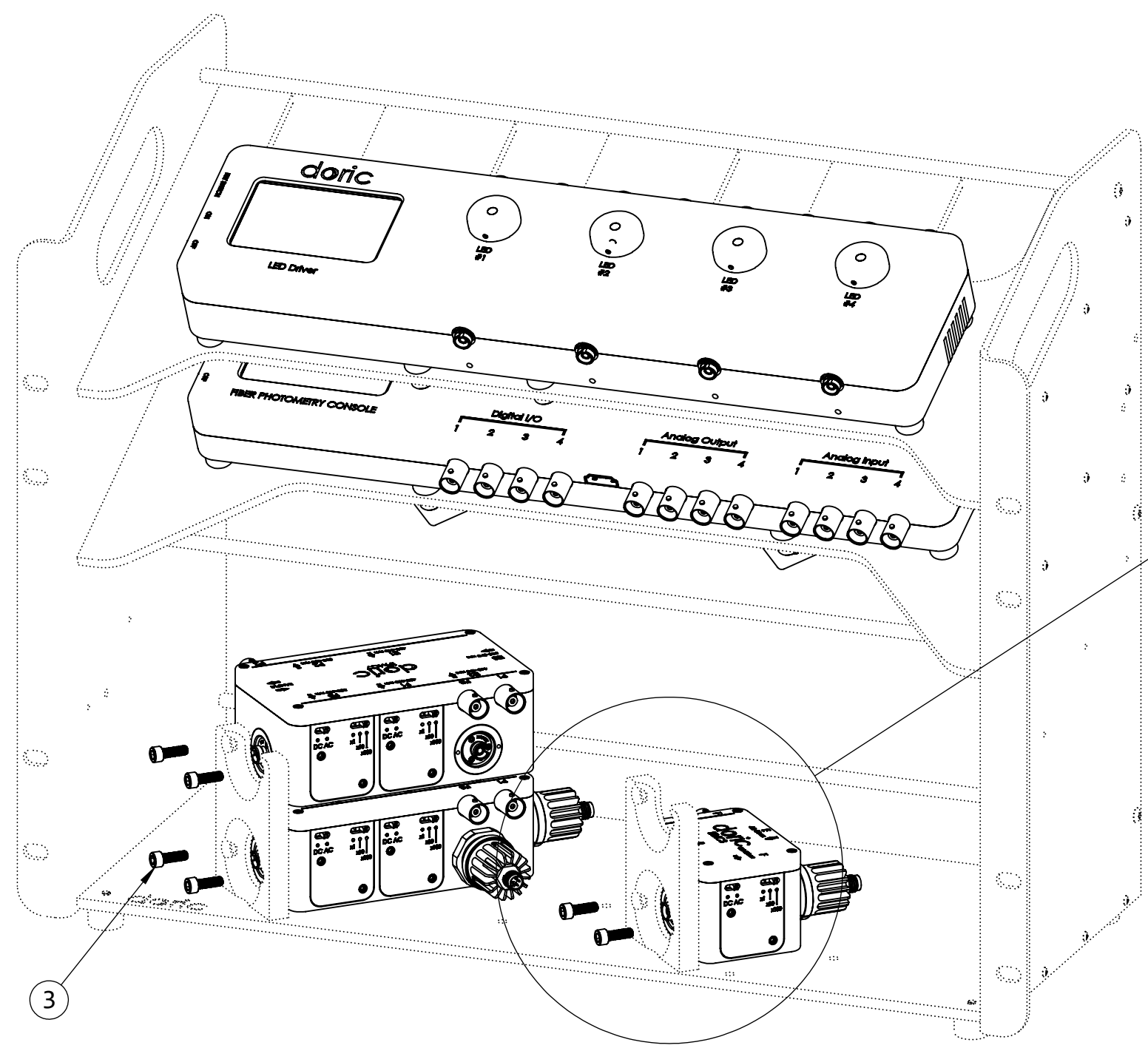
CLED 405 CLED 465 CLED 560

PROPRIETARY AND CONFIDENTIAL
THE INFORMATION CONTAINED IN THIS DRAWING IS THE SOLE PROPERTY OF **Doric Lenses Inc.** ANY REPRODUCTION IN PART OR AS A WHOLE WITHOUT THE WRITTEN PERMISSION OF **Doric Lenses Inc.** IS PROHIBITED.

UNLESS OTHERWISE SPECIFIED:		NAME	DATE	doric 357 rue Franquet, Quebec, QC G1P 4N7, Canada, Tel: 418 877 5600
DIMENSIONS ARE IN MM		DRAWN		
ANGULAR: ± 0.25 deg		CHECKED		TITLE: PR_7 Fiber Photometry Rack - MOUNTING SHEET
ONE PLACE DECIMAL ±0.2		ENG APPR.		
TWO PLACE DECIMAL ±0.10		MFG APPR.		
THREE PLACE DECIMAL ±0.050		Q.A.		SIZE DWG. NO. REV
INTERPRET GEOMETRIC TOLERANCING PER:		Third angle projection:		B D460-0103-MS 01
MATERIAL N/A				WEIGHT: N/A SHEET 4 OF 5
FINISH N/A				
DO NOT SCALE DRAWING				

8 7 6 5 4 3 2 1

D
C
B
A



DETAIL B
SCALE 2 : 2.5

- STEP 4 :**
- MOUNT THE IFMC/ILFMC ON THE BOTTOM SHELF USING THE IFMC/ILFMC HOLDER
 - PLACE THE FMC FOLLOWING THE RULES BELOW
 - BOTTOM LEFT
 - TOP LEFT
 - BOTTOM RIGHT
 - TOP RIGHT

UNLESS OTHERWISE SPECIFIED:		NAME	DATE	357 rue Franquet, Quebec, QC G1P 4N7, Canada, Tel: 418 877 5600
DIMENSIONS ARE IN MM		DRAWN		
ANGULAR: ± 0.25 deg		CHECKED		TITLE: PR_7 Fiber Photometry Rack - MOUNTING SHEET
ONE PLACE DECIMAL ±0.2		ENG APPR.		
TWO PLACE DECIMAL ±0.10		MFG APPR.		
THREE PLACE DECIMAL ±0.050		Q.A.		SIZE DWG. NO. REV B D460-0103-MS 01
INTERPRET GEOMETRIC TOLERANCING PER:		Third angle projection:		
MATERIAL N/A				WEIGHT: N/A
FINISH N/A				SHEET 5 OF 5
DO NOT SCALE DRAWING				

PROPRIETARY AND CONFIDENTIAL
 THE INFORMATION CONTAINED IN THIS DRAWING IS THE SOLE PROPERTY OF **Doric Lenses Inc.**. ANY REPRODUCTION IN PART OR AS A WHOLE WITHOUT THE WRITTEN PERMISSION OF **Doric Lenses Inc.** IS PROHIBITED.

8 7 6 5 4 3 2 1