

8

7

6

5

4

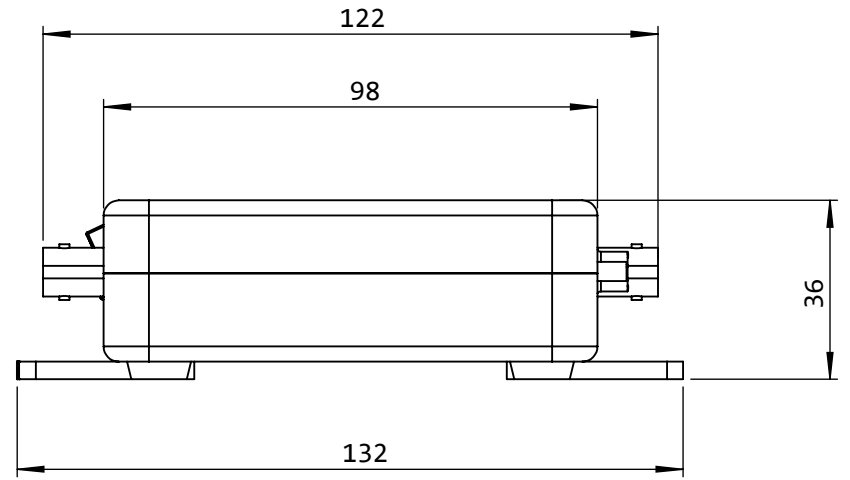
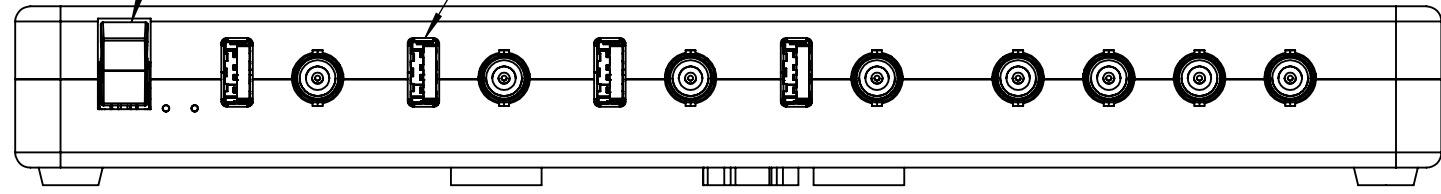
3

2

1

SWITCH ON/OFF

USB3 CONNECTOR

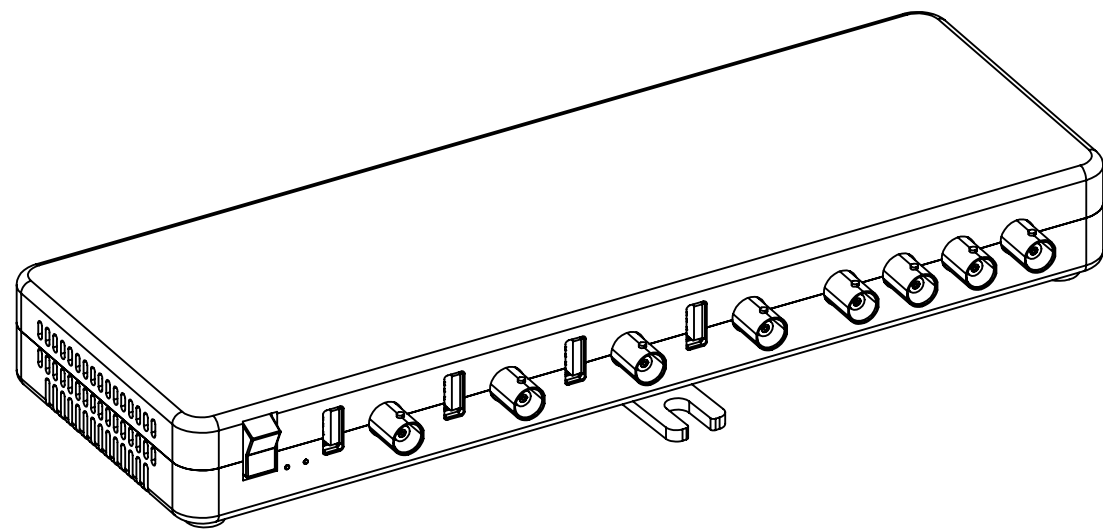
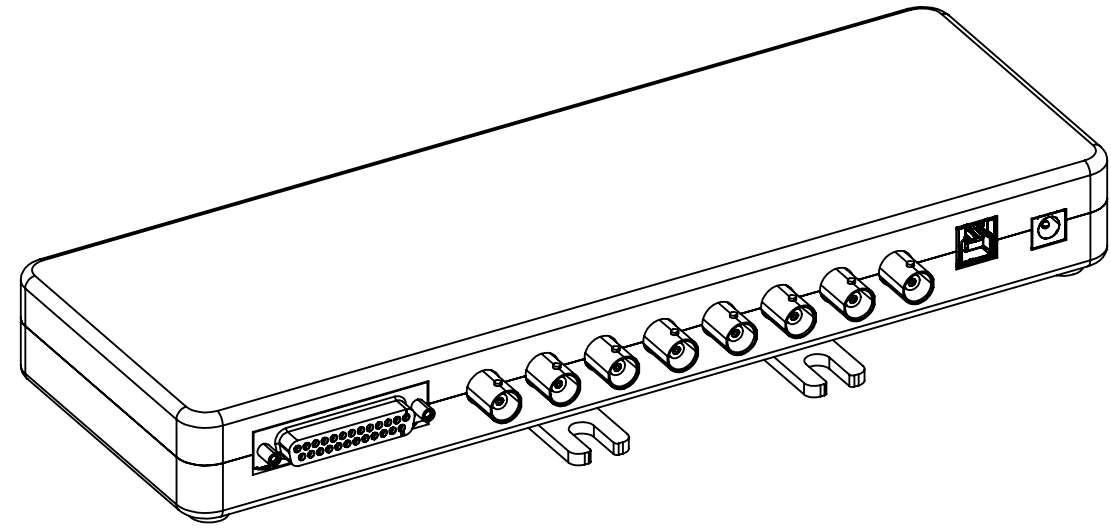
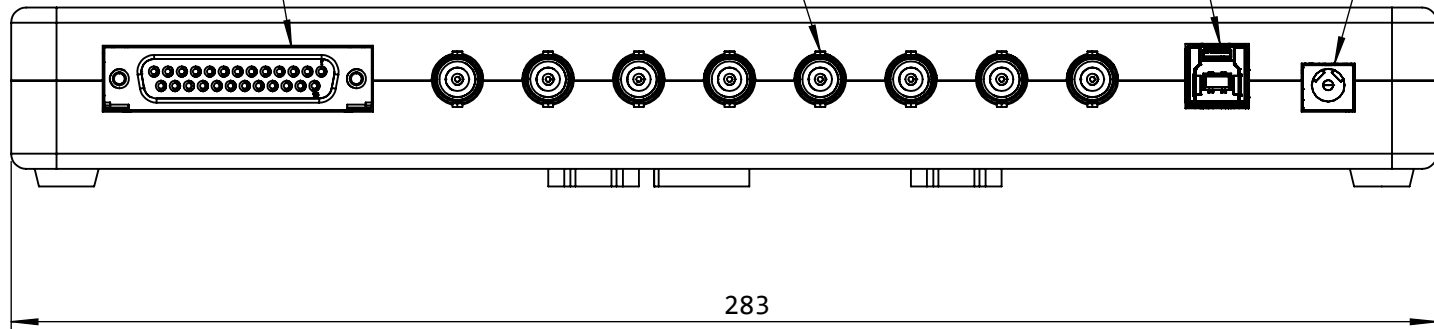


DB25 CONNECTOR

BNC CONNECTOR

USB3 TYPE B CONNECTOR

POWER SUPPLY JACK



Dimensions in mm
For Information Purposes Only

PROPRIETARY
THE INFORMATION CONTAINED IN THIS DRAWING IS THE SOLE PROPERTY OF **Doric Lenses Inc.** ANY REPRODUCTION IN PART OR AS A WHOLE WITHOUT THE WRITTEN PERMISSION OF **Doric Lenses Inc.** IS PROHIBITED.

DO NOT SCALE DRAWING

doric 357 rue Franquet, Quebec, QC G1P 4N7, Canada;
Tel: 418 877 5600;
doriclenses.com;

TITLE: **BBC300**

DWG. NO. **D480-1072**

17-6-2022

8

7

6

5

4

3

2

1

D

D

C

C

B

B

A

A