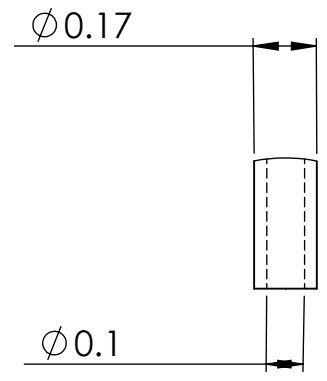
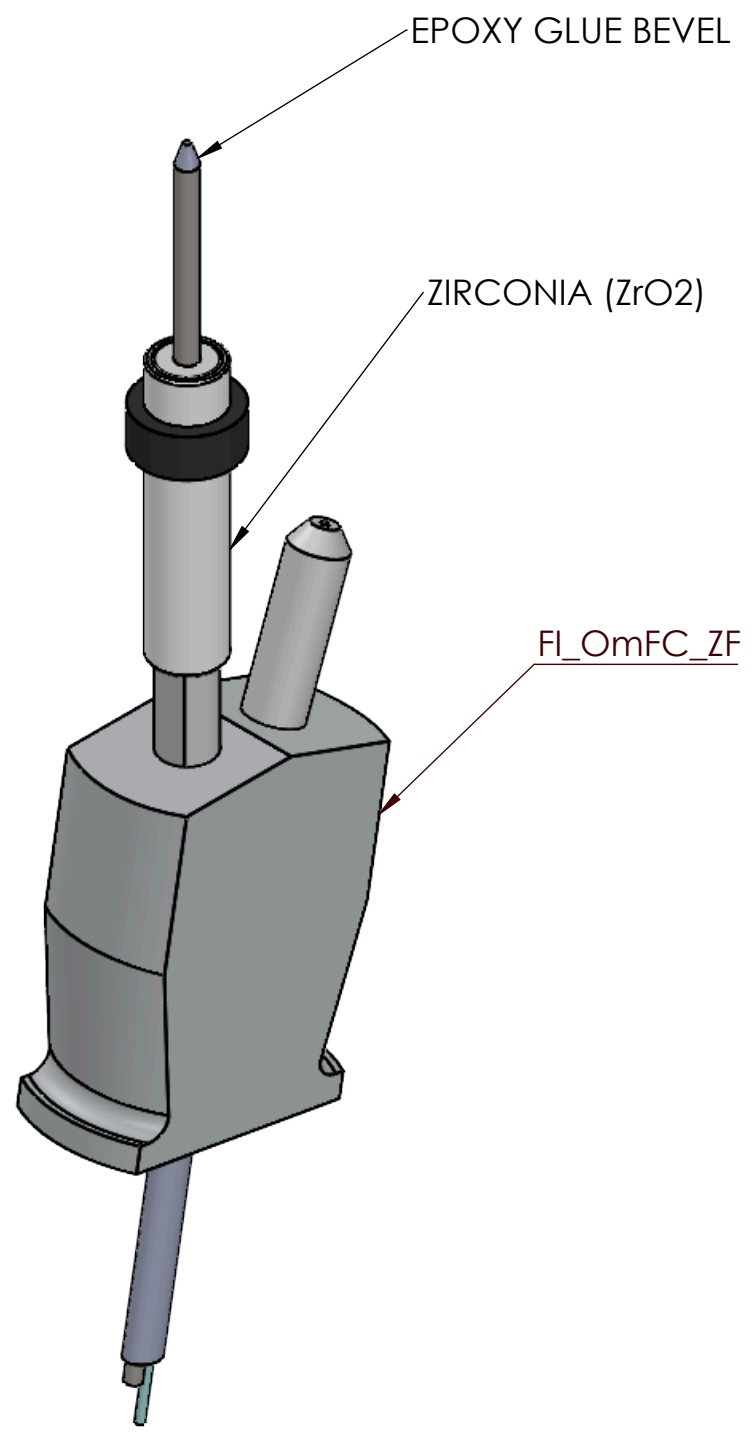
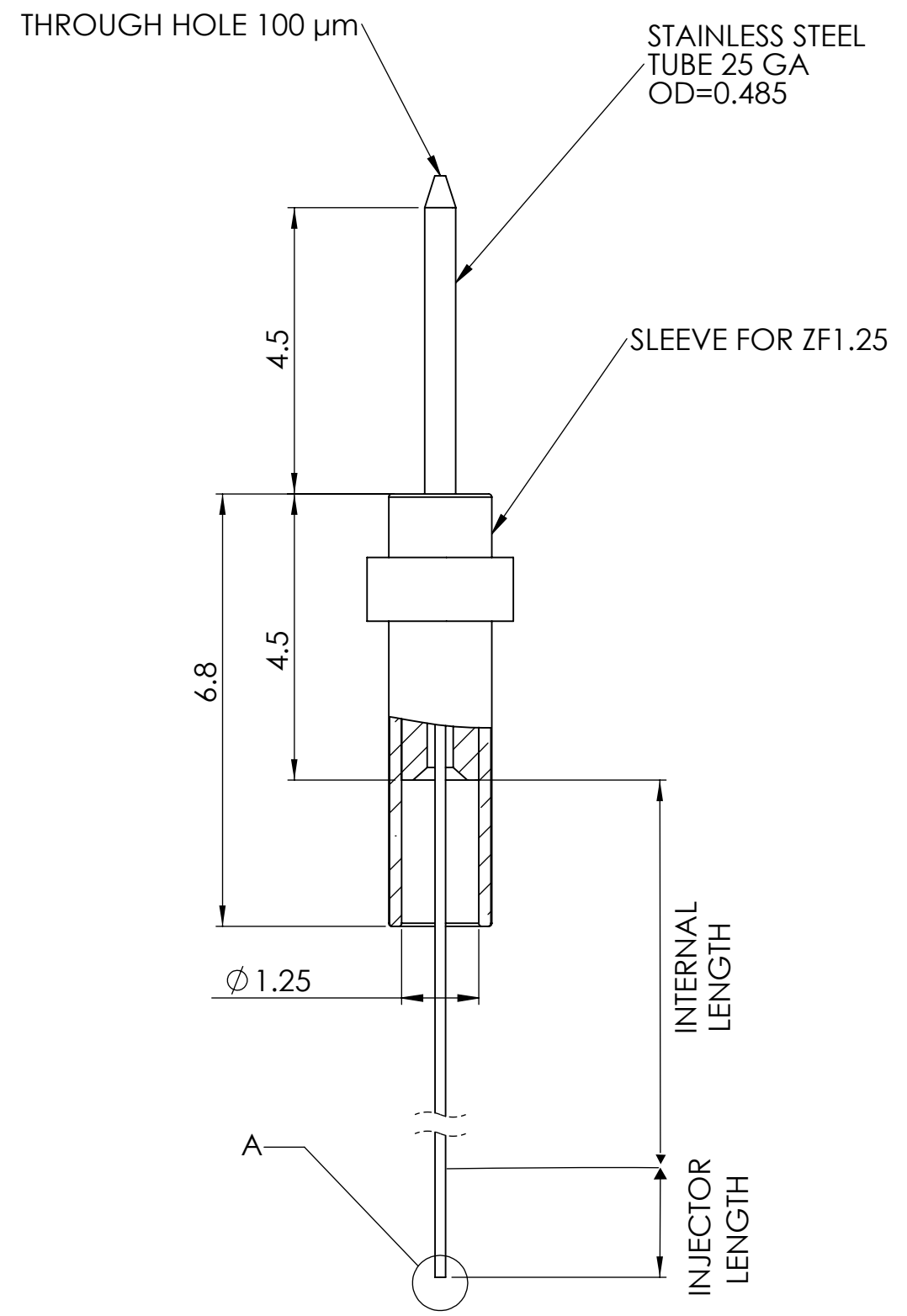


8 7 6 5 4 3 2 1

D  
C  
B  
A



DETAIL A  
SCALE 50 : 1

Dimensions in mm  
For Information Purposes Only

**PROPRIETARY**  
THE INFORMATION CONTAINED IN THIS DRAWING IS THE SOLE PROPERTY OF **Doric LensesInc.** ANY REPRODUCTION IN PART OR AS A WHOLE WITHOUT THE WRITTEN PERMISSION OF **Doric LensesInc.** IS PROHIBITED.

DO NOT SCALE DRAWING

<b>doric</b>		357 rue Franquet, Quebec, QC G1P 4N7, Canada; Tel: 418 877 5600; doriclenses.com;	
TITLE:		FI_OmFC_ZF	
DWG. NO.		B286-xxxx	
		6-6-2017	

8 7 6 5 4 3 2 1

D  
C  
B  
A