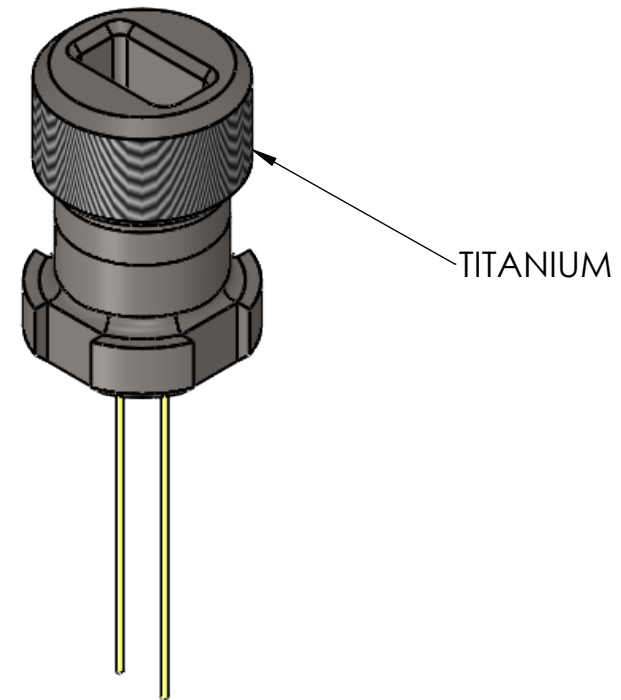
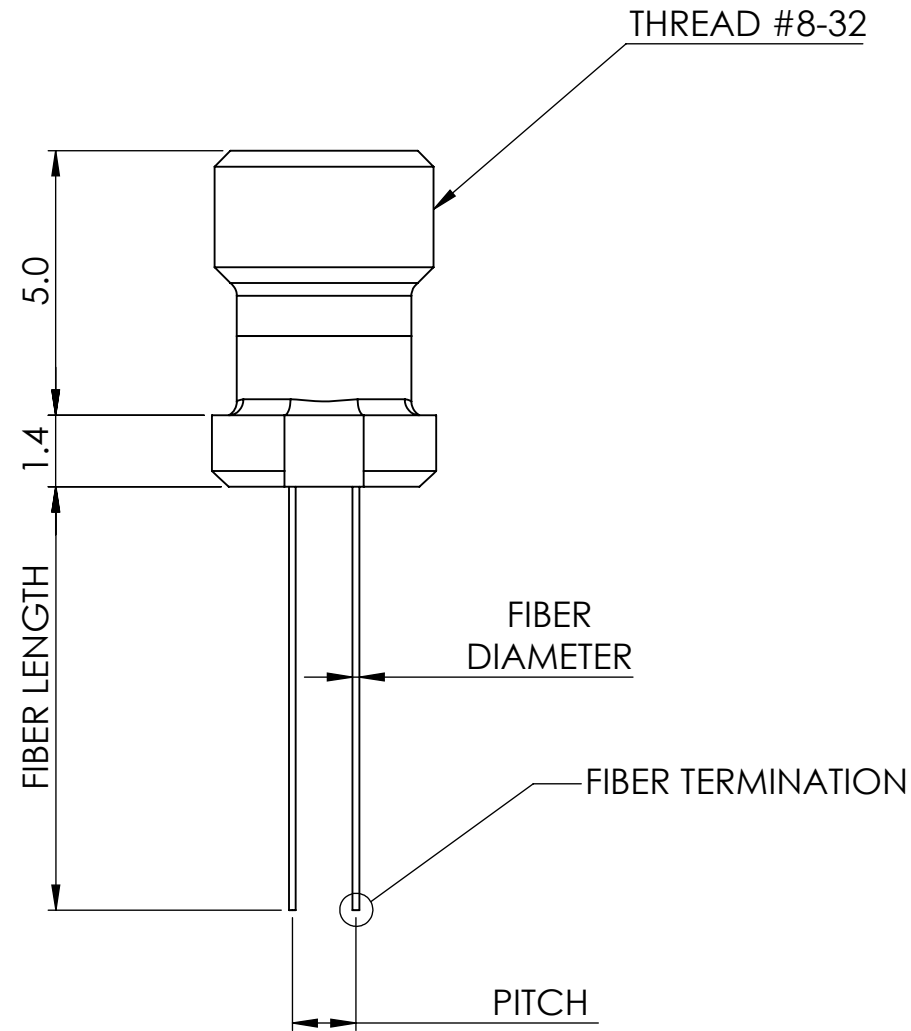


5	4	3	2	1		
FLT	X	DFL	A	MA	B	C
Flat tip	Cleaved	Diffuser	Angle	Angle mirror	Biprism	Cone
Polished 0.3 µm				Mirror		

FIBER TERMINATION  
SCALE 50 : 1



Dimensions in mm  
For Information Purposes Only

PROPRIETARY  
THE INFORMATION CONTAINED IN THIS DRAWING  
IS THE SOLE PROPERTY OF Doric Lenses Inc..  
ANY REPRODUCTION IN PART OR AS A WHOLE  
WITHOUT THE WRITTEN PERMISSION OF  
Doric Lenses Inc. IS PROHIBITED.

DO NOT SCALE DRAWING



357 rue Franquet, Quebec, QC  
G1P 4N7, Canada;  
Tel: 418 877 5600;  
doriclenses.com;

TITLE:

DFC\_GS

DWG. NO.

B282-xxxx

2018-04-20