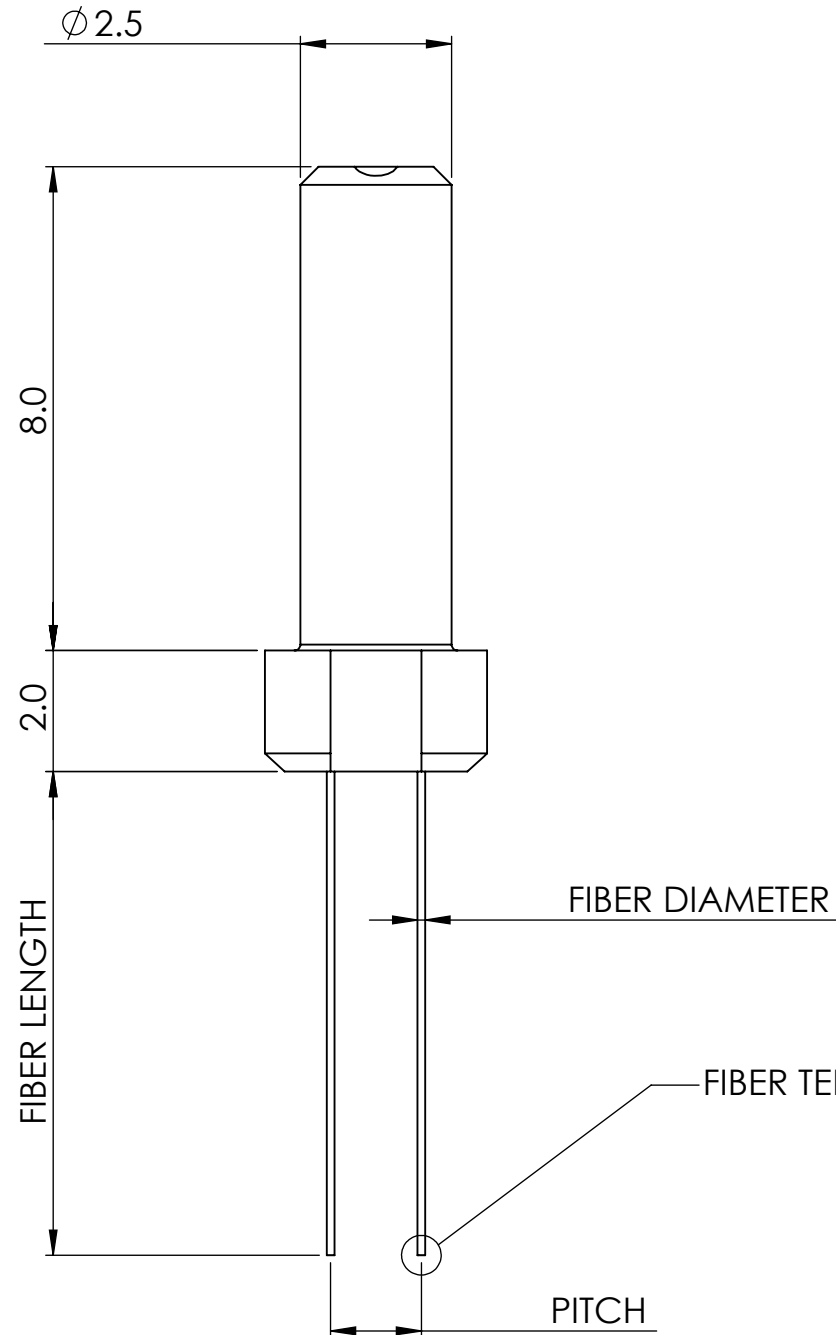
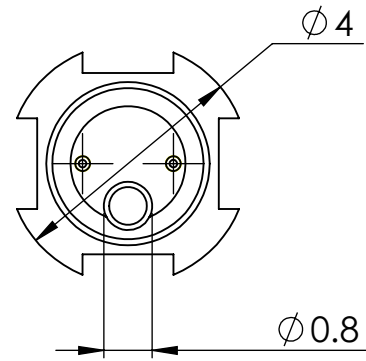


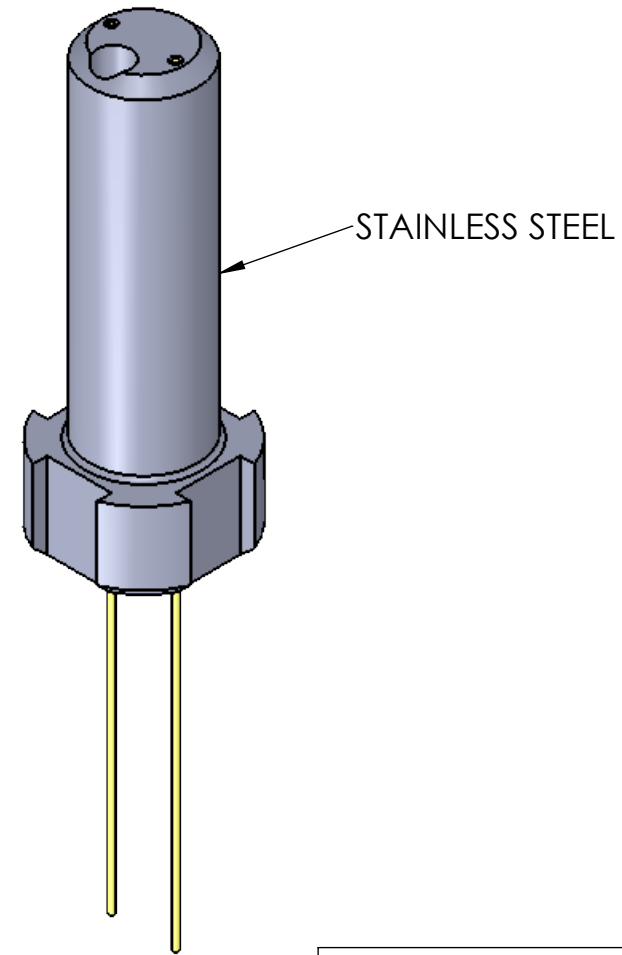
8 7 6 5 4 3 2 1

D  
C  
B  
A



FLT	X	DFL	A	MA	B	C
Flat tip	Cleaved	Diffuser	Angle	Angle mirror	Biprism	Cone

FIBER TERMINATION  
SCALE 50 : 1



Dimensions in mm  
For Information Purposes Only

**PROPRIETARY**  
THE INFORMATION CONTAINED IN THIS DRAWING IS THE SOLE PROPERTY OF Doric Lenses Inc.. ANY REPRODUCTION IN PART OR AS A WHOLE WITHOUT THE WRITTEN PERMISSION OF Doric Lenses Inc. IS PROHIBITED.

DO NOT SCALE DRAWING

357 rue Franquet, Quebec, QC  
G1P 4N7, Canada;  
Tel: 418 877 5600;  
doriclenses.com;

TITLE: **DFC\_DF**

DWG. NO. **B282-20xx**

23/11/2017

8 7 6 5 4 3 2 1