

8 7 6 5 4 3 2 1

D

D

C

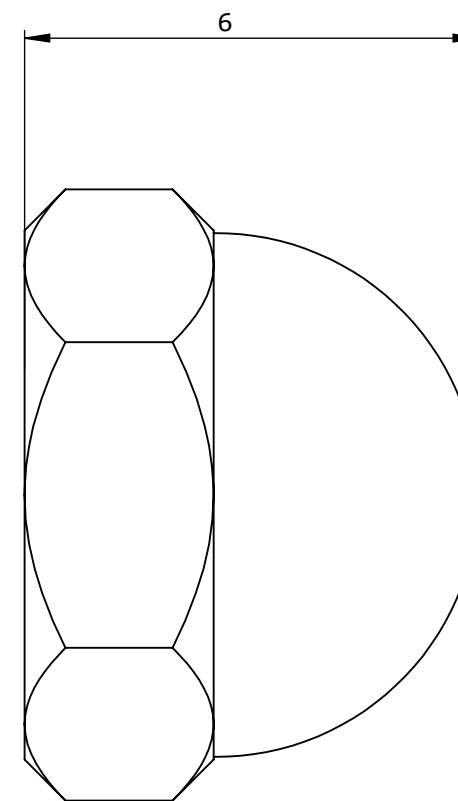
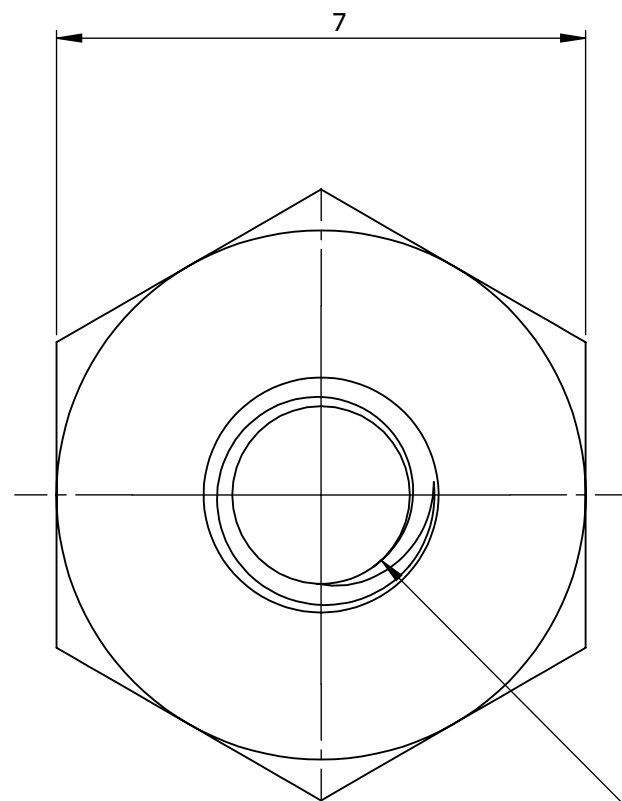
C

B

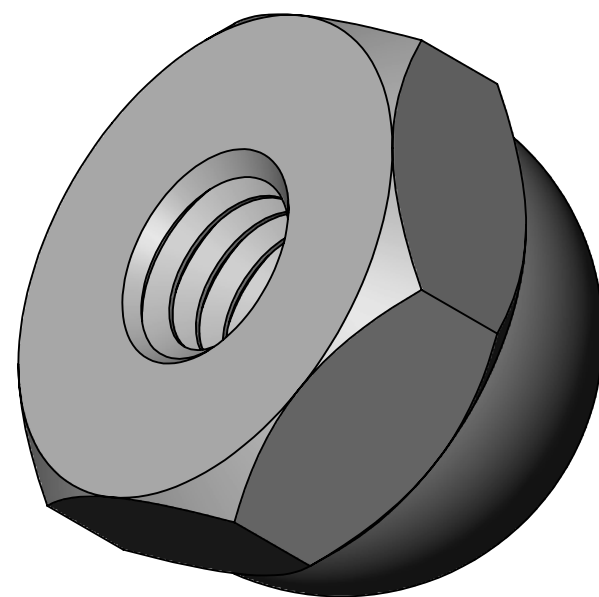
B

A

A



M3x0.5  
5.5mm THREAD DEPTH



Dimensions in mm  
For Information Purposes Only

**PROPRIETARY**  
THE INFORMATION CONTAINED IN THIS DRAWING  
IS THE SOLE PROPERTY OF **Doric Lenses Inc.**..  
ANY REPRODUCTION IN PART OR AS A WHOLE  
WITHOUT THE WRITTEN PERMISSION OF  
**Doric Lenses Inc.** IS PROHIBITED.

DO NOT SCALE DRAWING

	357 rue Franquet, Quebec, QC G1P 4N7, Canada; Tel: 418 877 5600; doriclenses.com;
TITLE: <p style="text-align: center;"><b>CAP_M3_S</b></p>	
DWG. NO. <p style="text-align: center;"><b>F210-5006-M</b></p>	
<p style="text-align: center;">7-9-2021</p>	

8 7 6 5 4 3 2 1