

8 7 6 5 4 3 2 1

D

D

C

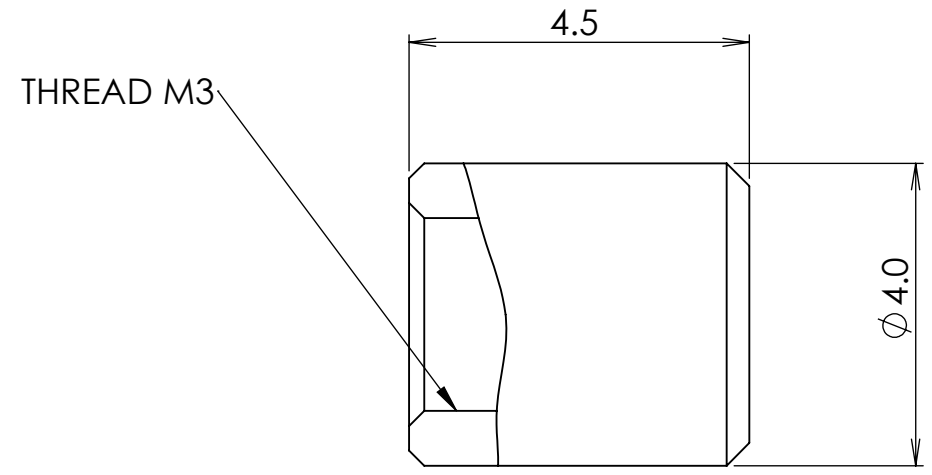
C

B

B

A

A



MATERIAL

WHITE PLASTIC



Dimensions in mm
For Information Purposes Only

PROPRIETARY
THE INFORMATION CONTAINED IN THIS DRAWING
IS THE SOLE PROPERTY OF Doric Lenses Inc..
ANY REPRODUCTION IN PART OR AS A WHOLE
WITHOUT THE WRITTEN PERMISSION OF
Doric Lenses Inc. IS PROHIBITED.

DO NOT SCALE DRAWING



357 rue Franquet, Quebec, QC
G1P 4N7, Canada;
Tel: 418 877 5600;
doriclenses.com;

TITLE:
CAP_M3

DWG. NO.
F210-50xx

2018-03-27

8 7 6 5 4 3 2 1

1