

(6x) M8 LED CONNECTORS

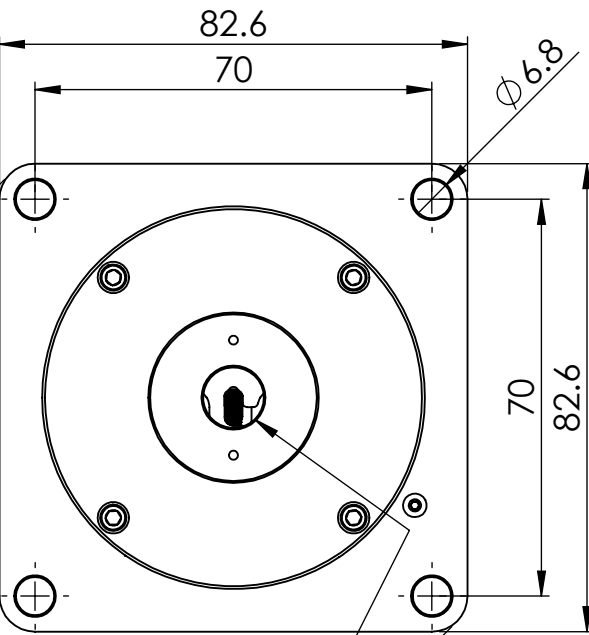
(4x) M5 PHOTODIODE CONNECTORS

8 x 8-32  
TAPPED HOLE  
TOP MOUNTING

8 x 8-32  
TAPPED HOLE  
TOP MOUNTING

(2x) RFMC CONNECTORS

RFMC SOLD SEPARATELY



TOP VIEW

(12.7mm) INSIDE PASSAGE

FMC SYSTEM DIMENSION

Dimensions in mm  
For Information Purposes Only

**PROPRIETARY**  
THE INFORMATION CONTAINED IN THIS DRAWING  
IS THE SOLE PROPERTY OF **Doric Lenses Inc.**  
ANY REPRODUCTION IN PART OR AS A WHOLE  
WITHOUT THE WRITTEN PERMISSION OF  
**Doric Lenses Inc.** IS PROHIBITED.

DO NOT SCALE DRAWING

**doric**

357 rue Franquet, Quebec, QC  
G1P 4N7, Canada;  
Tel: 418 877 5600;  
doriclenses.com;

TITLE:  
**ASSISTED ELECTRICAL ROTARY JOINTS  
FOR FLUORESCENCE MINI CUBES**

DWG. NO.  
**AERJ\_24\_FMC**