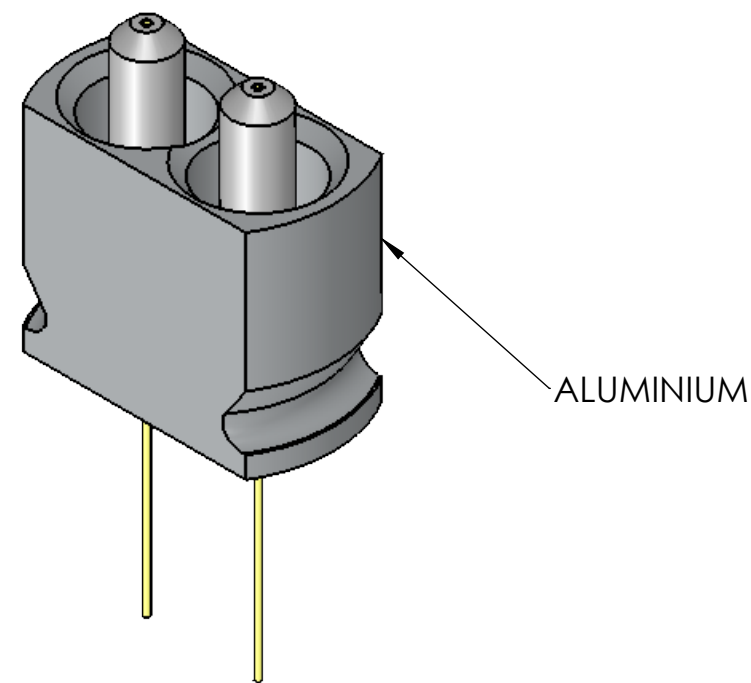
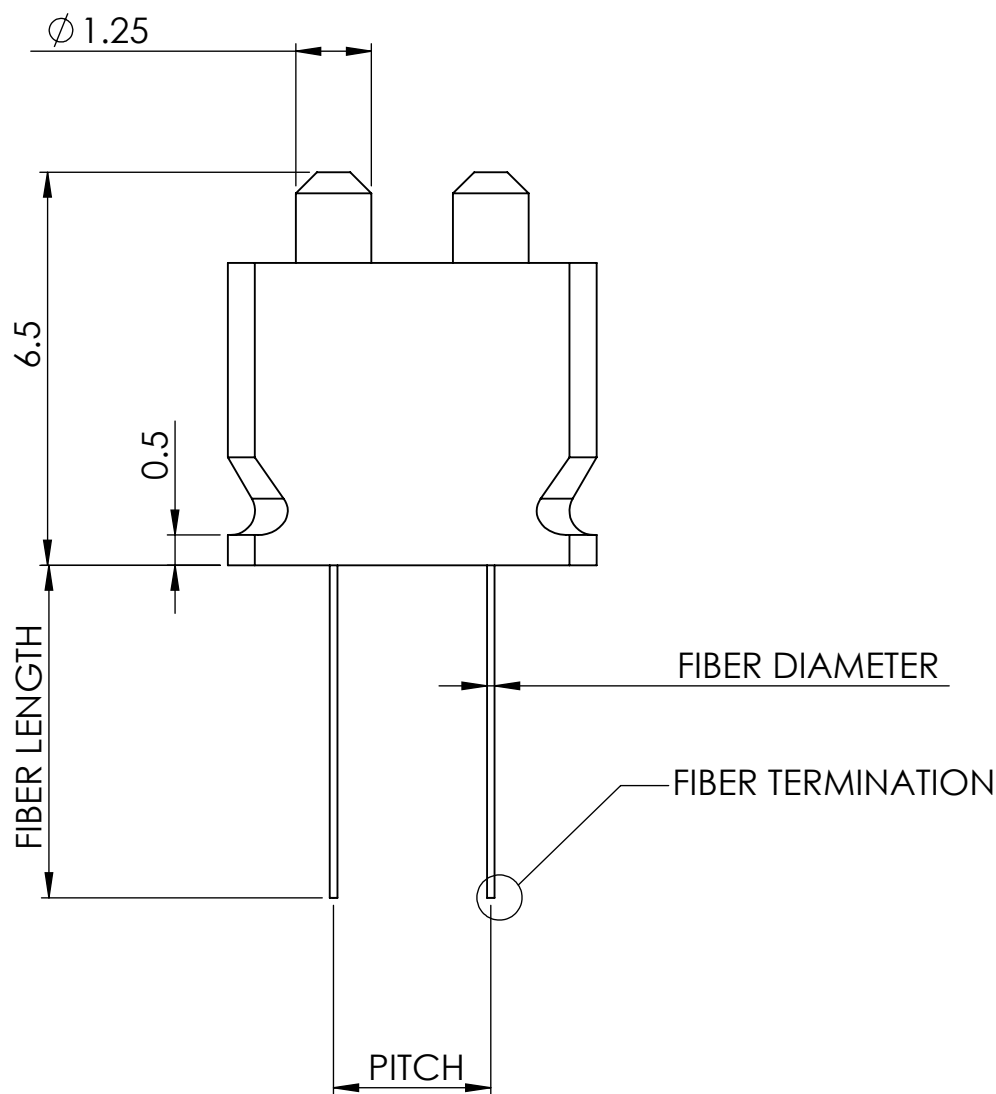


8	7	6	5	4	3	2	1
FLT	X	DFL	A	MA	B	C	
Flat tip	Cleaved	Diffuser	Angle	Angle mirror	Biprism	Cone	

FIBER TERMINATION
SCALE 50 : 1



Dimensions in mm
For Information Purposes Only

PROPRIETARY
THE INFORMATION CONTAINED IN THIS DRAWING IS THE SOLE PROPERTY OF Doric Lenses Inc.. ANY REPRODUCTION IN PART OR AS A WHOLE WITHOUT THE WRITTEN PERMISSION OF Doric Lenses Inc. IS PROHIBITED.

DO NOT SCALE DRAWING

	357 rue Franquet, Quebec, QC G1P 4N7, Canada; Tel: 418 877 5600; doriclenses.com;
TITLE:	TFC_TS
DWG. NO.	B284-xxxx
	23/11/2017